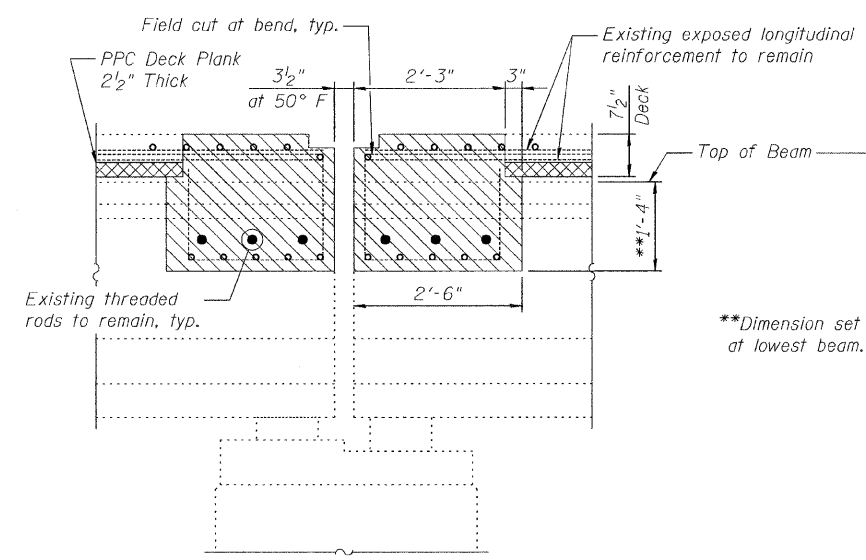
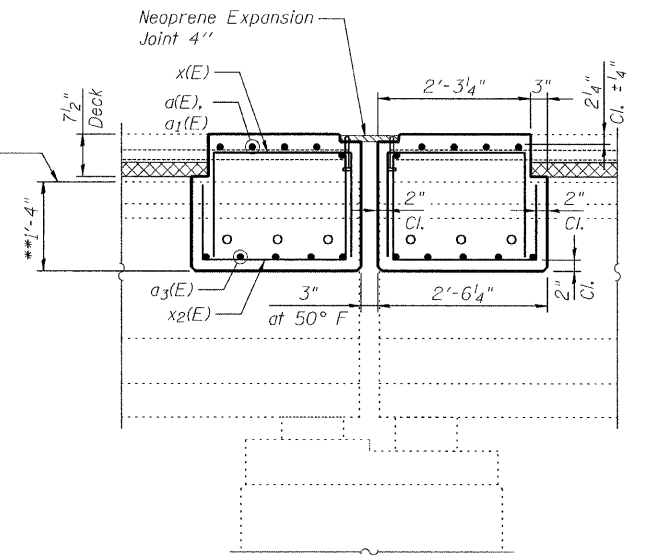


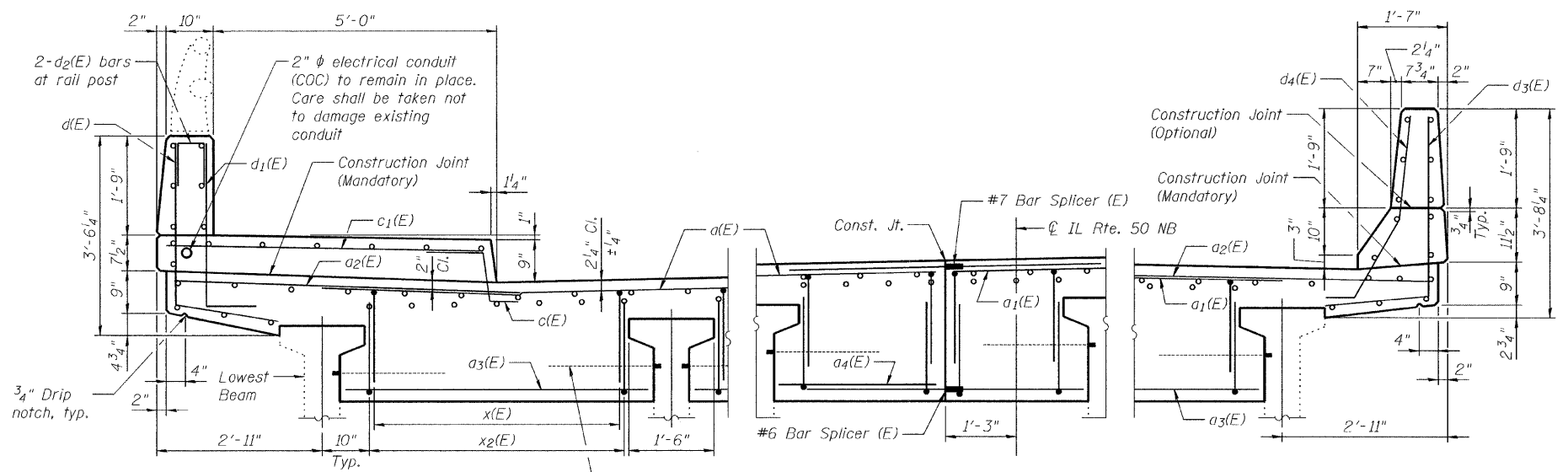
EXP. JOINT PLAN AT NB PIER 4



**SECTION A-A
CONCRETE REMOVAL @ NB PIER 4**
(Horiz. dimensions at Rt. L's)



**SECTION A-A
CONCRETE REPLACEMENT @ NB PIER 4**
(Horiz. dimensions at Rt. L's)



SIDEWALK SECTION (Looking South) **CENTER SECTION (Looking South)** **CURB SECTION (Looking South)**

DESIGNED	E.E.J.
CHECKED	J.A.Z.
DRAWN	E.E.J.
CHECKED	J.A.Z.

- Notes:
- Existing reinforcement shall be cleaned and incorporated into the new construction.
 - See Sheet 10 of 16 for Bill of Material.

- LEGEND**
- Concrete Removal
 - Exist. PPC Deck Plank, 2 1/2" thick

EXPANSION JOINT, NB PIER 4
IL 50 (CICERO AVE) OVER BRC R.R.
F.A.P. 350, SECTION 50-1 VB-1-BR
COOK COUNTY

S.N. 016-2512 (S.B.), 016-2513 (N.B.)
 DATE: 10-23-09
 GRAEF CHICAGO ILLINOIS