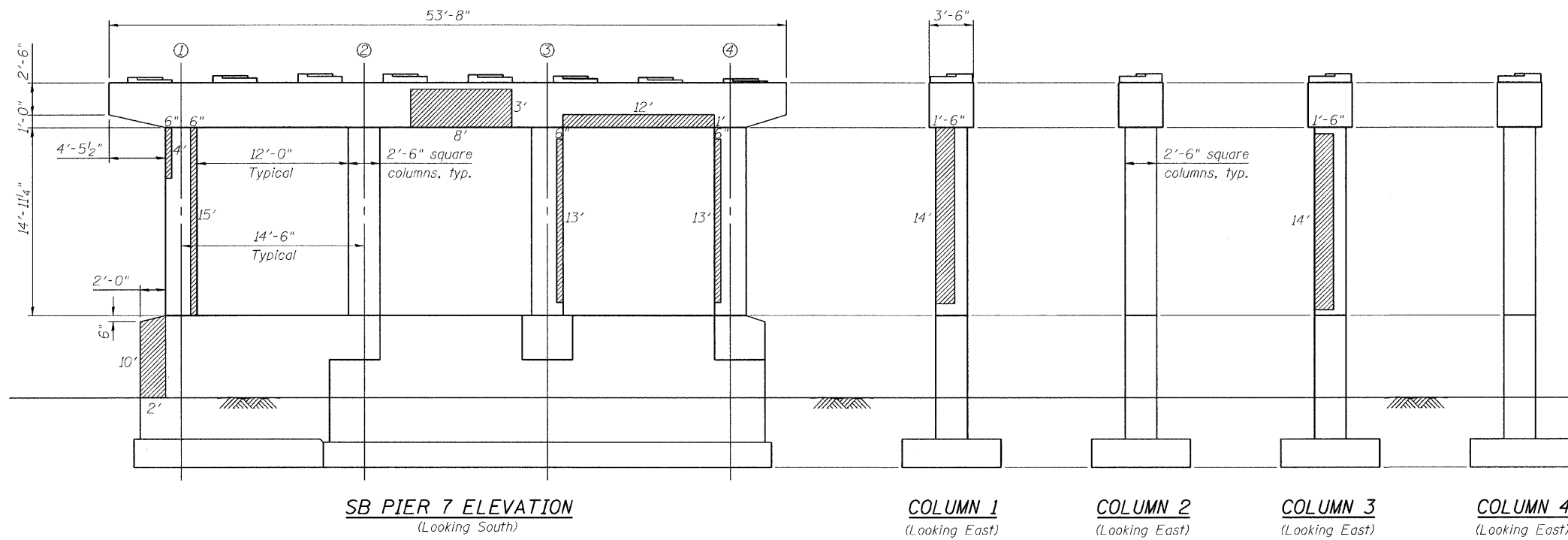


F.A.P. ROUTE NO.	SECTION	COUNTY	TOTAL SHEETS	SHEET NO.
350	50-1 VB-1-BR	Cook	33	23
FED. ROAD DIST.		ILLINOIS FED. AID PROJECT		

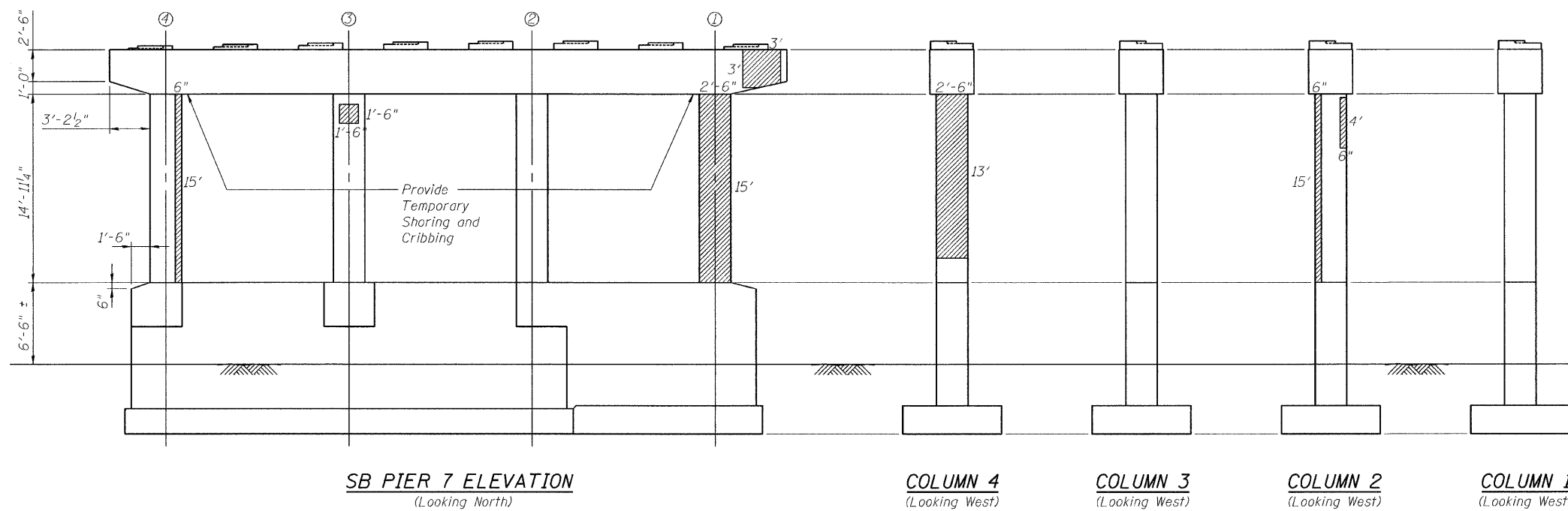
SHEET NO. 12 OF 16 SHEETS

Contract # 60H76



**SB PIER 7 REACTIONS
(BEAM LOADS ONLY)**

	Span 7	Span 8
R_{DL} (k)	38.9	19.0
R_{SDL} (k)	5.2	2.4
R_{LL} (k)	33.9	28.3
R_I (k)	8.6	8.5
R_{Total} (k)	86.6	58.2



BILL OF MATERIAL

Item	Unit	Quantity
Structural Repair of Concrete (Depth Equal to or Less than 5")	Sq. Ft.	219

DESIGNED	E.E.J.
CHECKED	J.A.Z.
DRAWN	E.E.J.
CHECKED	J.A.Z.

LEGEND

- Structural Repair of Concrete (Depth equal to or less than 5")
- Column Number

SB PIER 7 REPAIRS
 IL 50 (CICERO AVE) OVER BRC R.R.
 F.A.P. 350, SECTION 50-1 VB-1-BR
 COOK COUNTY
 S.N. 016-2512 (S.B.), 016-2513 (N.B.)
 DATE: 10-23-09
 GRAEF
 CHICAGO ILLINOIS