

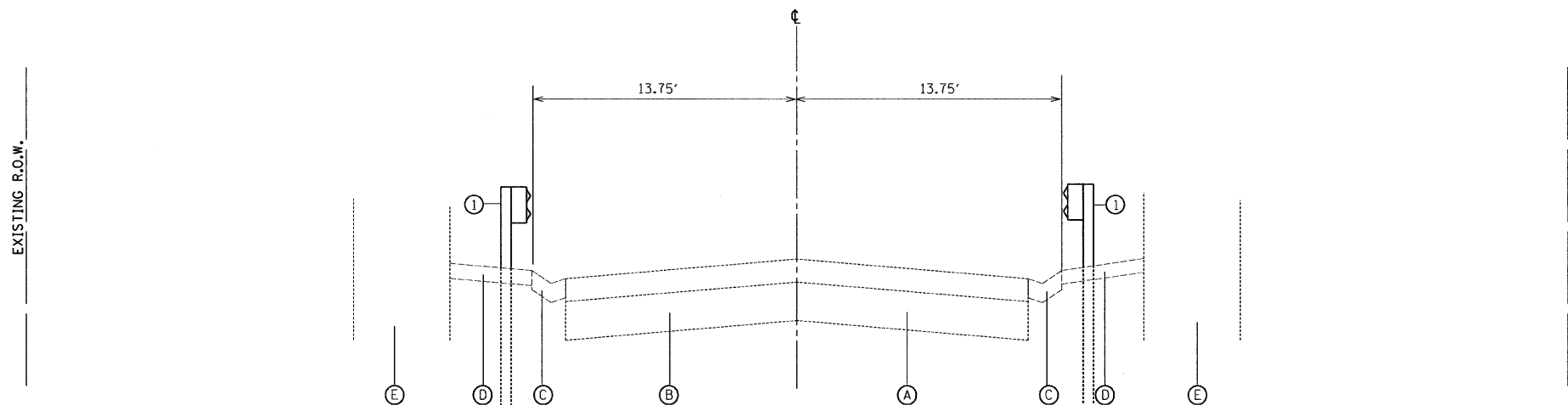
EXISTING TYPICAL SECTION
STA. 433+53 TO STA. 436+97

EXISTING CONDITIONS:

- (A) HOT-MIX ASPHALT SURFACE
- (B) P.C. CONCRETE PAVEMENT
- (C) TYPE B GUTTER
- (D) AGGREGATE SHOULDER
- (E) BRIDGE PIER

PROPOSED IMPROVEMENTS

- (1) GUARDRAIL, TYPE B



EXISTING TYPICAL SECTION
STA. 433+53 TO STA. 436+97

3-8-10 [Signature]

H:\job2009\200903023\FINAL\CAD\Site\ dgn\00\060137-TypSec02.dgn
7/4/2010 12:50:58 PM

FILE NAME =	USER NAME = .USER.	DESIGNED - RS	REVISED - EF 03-04-2010	STATE OF ILLINOIS DEPARTMENT OF TRANSPORTATION	US 20 - WEST UNION ROAD TO IL 47 TYPICAL SECTIONS		F.A.U. RTE.	SECTION	COUNTY	TOTAL SHEETS	SHEET NO.	
#FILELS		DRAWN - RS	REVISED -		SCALE: NTS	SHEET NO. 2 OF 3 SHEETS	STA.	TO STA.	• 2009-089 I	••	46	7
PLOT SCALE = 4.0000' / IN.		CHECKED - RS	REVISED -						•• MCHENRY & KANE	CONTRACT NO. 60137		
PLOT DATE = 3/4/2010		DATE - 02-08-2010	REVISED -						• 525/ 345	ILLINOIS FED. AID PROJECT		

Rev. sheet 4-6-10