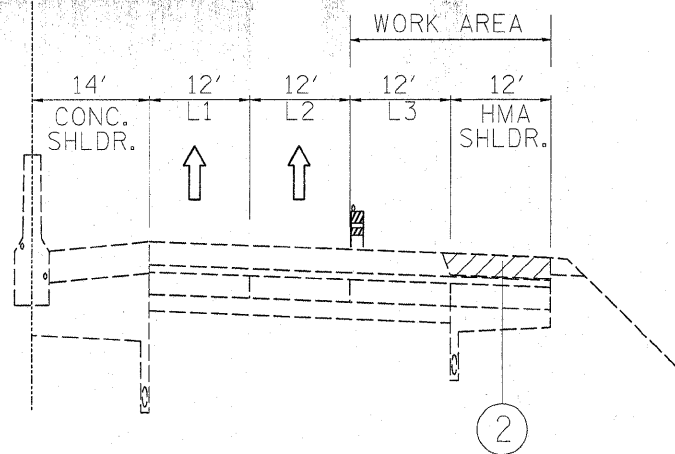
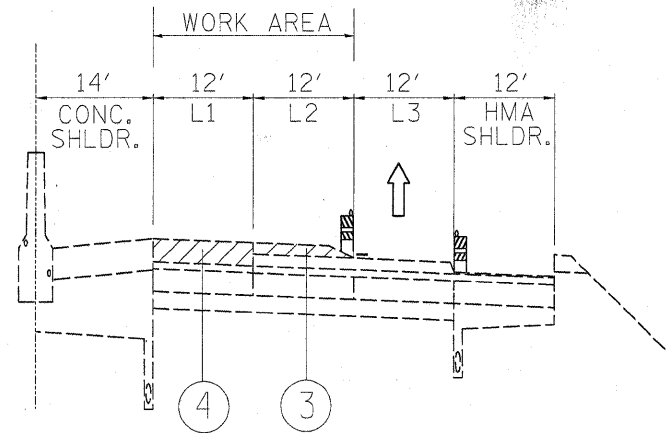


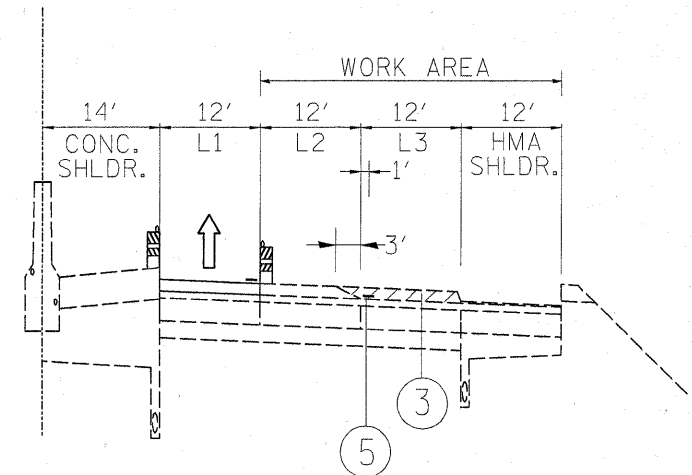
CL IL. RTE. 53



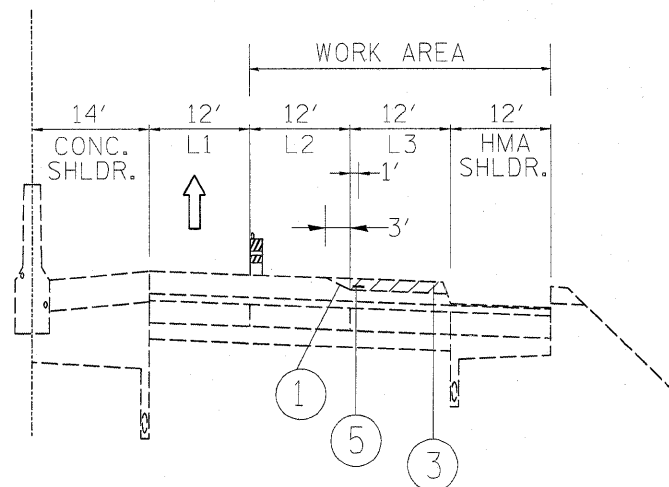
OPERATION 1A
3 LANE SECTION



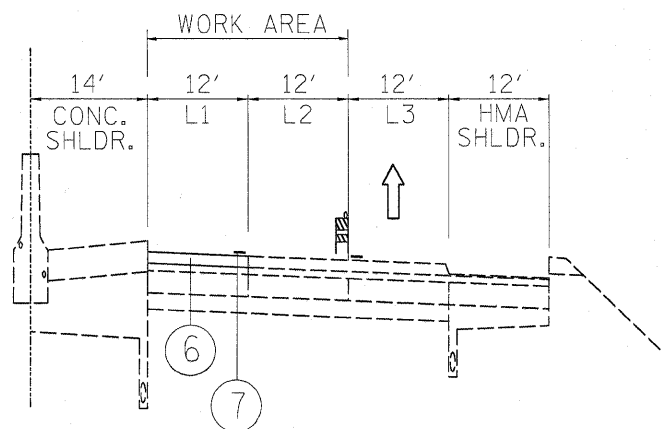
OPERATION 2A
3 LANE SECTION



OPERATION 3
3 LANE SECTION



OPERATION 1B
3 LANE SECTION



OPERATION 2B
3 LANE SECTION

LEGEND

- ① HOT-MIX ASPHALT SURFACE REMOVAL (VARIABLE DEPTH), TAPER 20:1
- ② HOT-MIX ASPHALT SURFACE REMOVAL, 3 3/4"
- ③ HOT-MIX ASPHALT SURFACE REMOVAL, 2"
- ④ HOT-MIX ASPHALT SURFACE REMOVAL, 4"
- ⑤ EXPOXY PAVEMENT MARKING, 5" WHITE LANE LINE (SKIP-DASH)
- ⑥ POLYMERIZED HOT-MIX ASPHALT BINDER COURSE, STONE MATRIX ASPHALT, N80, 2"
- ⑦ WET REFLECTIVE TEMPORARY TAPE, TYPE III, 5" LANE LINE (SKIP DASH)
- ⑧ HOT-MIX ASPHALT BINDER COURSE, IL-19.0, N70, 2 1/4"
- ⑨ HOT-MIX ASPHALT SURFACE COURSE, MIX "D", N70, 1 1/2"
- ⑩ POLYMERIZED HOT-MIX ASPHALT SURFACE COURSE, STONE MATRIX ASPHALT, N80, 2"
- ⑪ PREFORMED PLASTIC PAVEMENT MARKING, TYPE B 5" INLAID WHITE (10' LINE @ 30' SPACE)
- ⑫ THERMOPLASTIC PAVEMENT MARKING 4" EDGE LINE
- ⑬ RAISED REFLECTIVE PAVEMENT MARKERS
- ⑭ TAPER 1:3

FILE NAME =	USER NAME = abreuch	DESIGNED -	REVISED -
c:\pwork\pwork\DOT\ABREUCH\0166688\DI0310-Design.dgn		DRAWN -	REVISED -
PLOT SCALE = 50.0000' / IN.		CHECKED -	REVISED -
PLOT DATE = 2/11/2010		DATE -	REVISED -

STATE OF ILLINOIS
DEPARTMENT OF TRANSPORTATION

I-290/ILL 53 FROM ILL 72 TO US 12
SUGGESTED SEQUENCE OF OPERATIONS

SCALE: SHEET NO. OF SHEETS STA. TO STA.

F.A.I. RTE.	SECTION	COUNTY	TOTAL SHEETS	SHEET NO.
290	(531-3.1, 0305-302 K)	COOK	314	7
CONTRACT NO. 60138				
ILLINOIS FED. AID PROJECT				