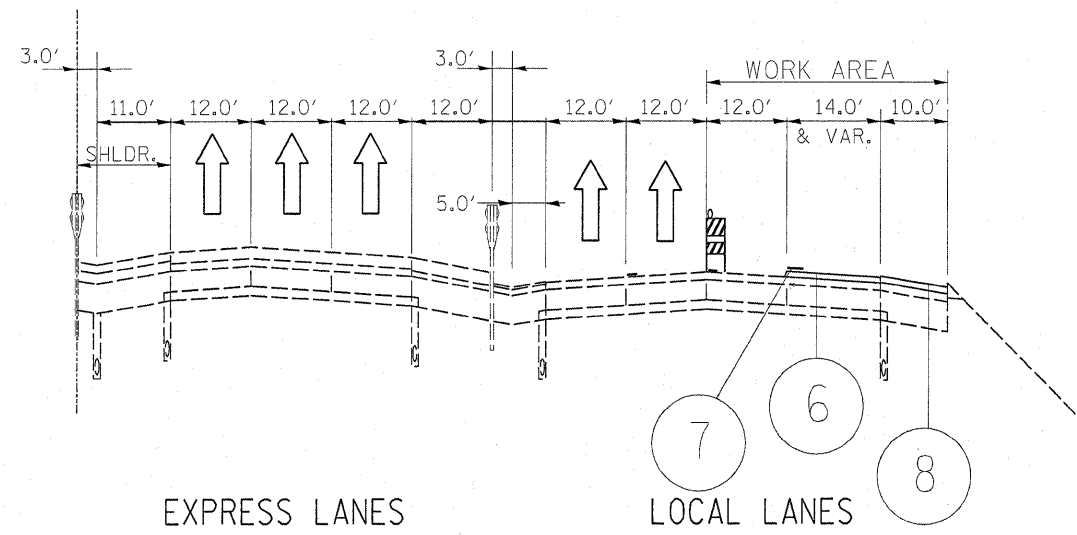
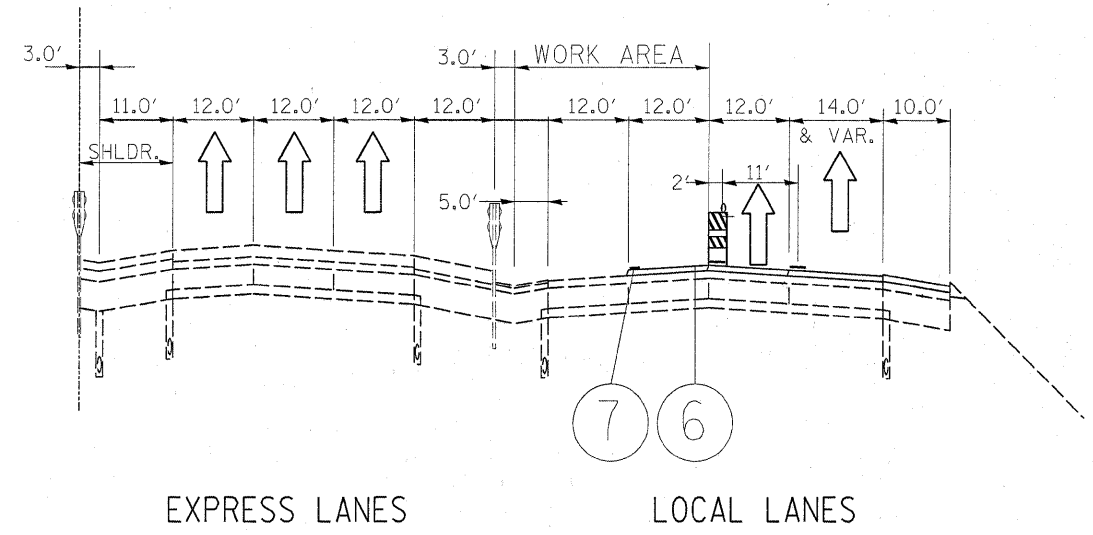


CL IL. RTE. 53



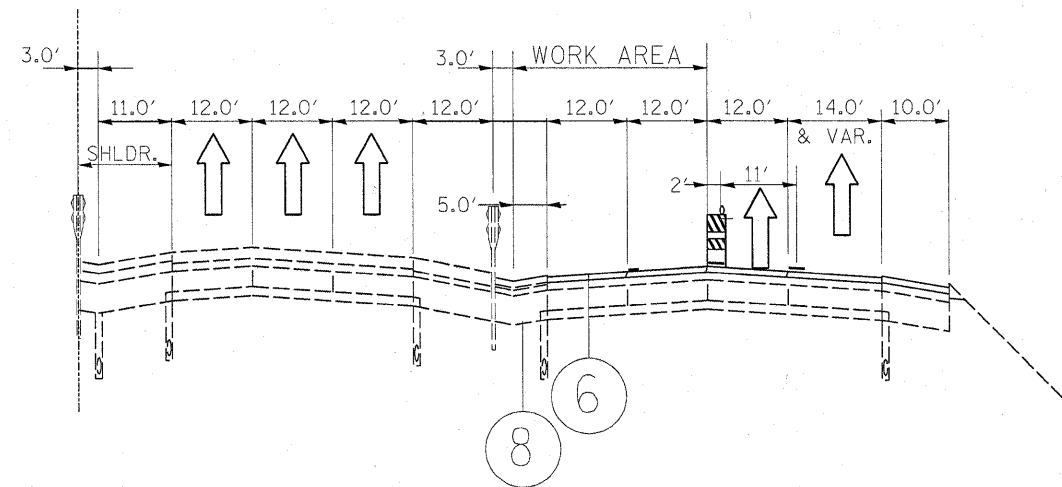
EXPRESS LANES
LOCAL LANES
OPERATION 5

CL IL. RTE. 53



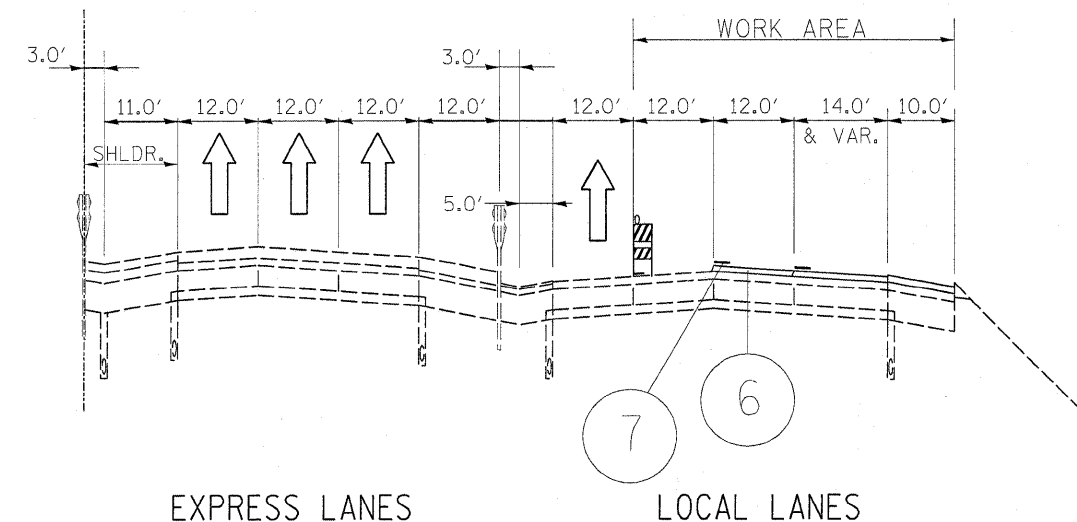
EXPRESS LANES
LOCAL LANES
OPERATION 7

CL IL. RTE. 53



EXPRESS LANES
LOCAL LANES
OPERATION 8

CL IL. RTE. 53



EXPRESS LANES
LOCAL LANES
OPERATION 6

LEGEND

- ① HOT-MIX ASPHALT SURFACE REMOVAL (VARIABLE DEPTH), TAPER 20:1
- ② HOT-MIX ASPHALT SURFACE REMOVAL, 3 3/4"
- ③ HOT-MIX ASPHALT SURFACE REMOVAL, 2"
- ④ HOT-MIX ASPHALT SURFACE REMOVAL, 4"
- ⑤ EPOXY PAVEMENT MARKING, 5" WHITE LANE LINE (SKIP-DASH)
- ⑥ POLYMERIZED HOT-MIX ASPHALT BINDER COURSE, STONE MATRIX ASPHALT, N80, 2"
- ⑦ WET REFLECTIVE TEMPORARY TAPE, TYPE III, 5" LANE LINE (SKIP DASH)
- ⑧ HOT-MIX ASPHALT BINDER COURSE, IL-19.0, N70, 2 1/4"
- ⑨ HOT-MIX ASPHALT SURFACE COURSE, MIX "D", N70, 1 1/2"
- ⑩ POLYMERIZED HOT-MIX ASPHALT SURFACE COURSE, STONE MATRIX ASPHALT, N80, 2"
- ⑪ PREFORMED PLASTIC PAVEMENT MARKING, TYPE B 5" INLAID WHITE (10' LINE @ 30' SPACE)
- ⑫ THERMOPLASTIC PAVEMENT MARKING 4" EDGE LINE
- ⑬ RAISED REFLECTIVE PAVEMENT MARKERS
- ⑭ TAPER 1:3
- ⑮ TAPER 1:6
- ⑯ EPOXY PAVEMENT MARKING, 8" GORE LINE

FILE NAME =	USER NAME = abreuah	DESIGNED -	REVISED -
c:\pwork\PWIDOT\ABREUAH\d0166888\0103112-Design.dgn		DRAWN -	REVISED -
	PLOT SCALE = 50.0000' / IN.	CHECKED -	REVISED -
	PLOT DATE = 2/11/2010	DATE -	REVISED -

STATE OF ILLINOIS
DEPARTMENT OF TRANSPORTATION

I-290/ILL 53 FROM ILL 72 TO US 12
SUGGESTED SEQUENCE OF OPERATIONS

SCALE: SHEET NO. OF SHEETS STA. TO STA.

F.A.T. RTE.	SECTION	COUNTY	TOTAL SHEETS	SHEET NO.
290	(531-3.1, 0305-302 K)	COOK	314	10
CONTRACT NO. 60138				
ILLINOIS FED. AID PROJECT				