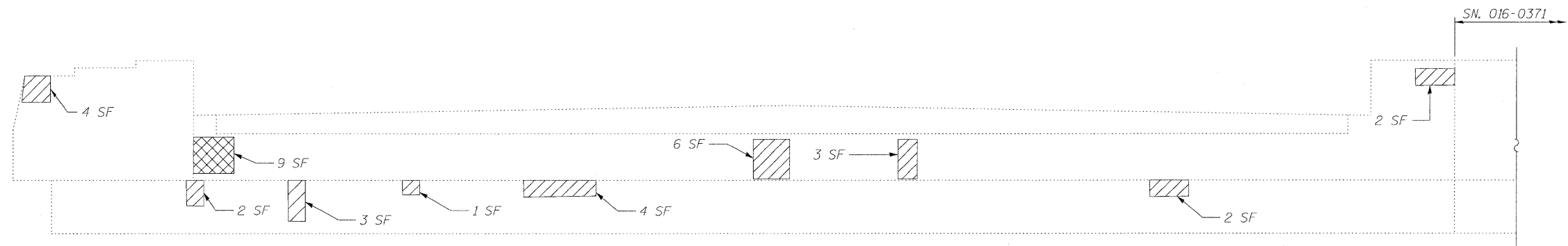
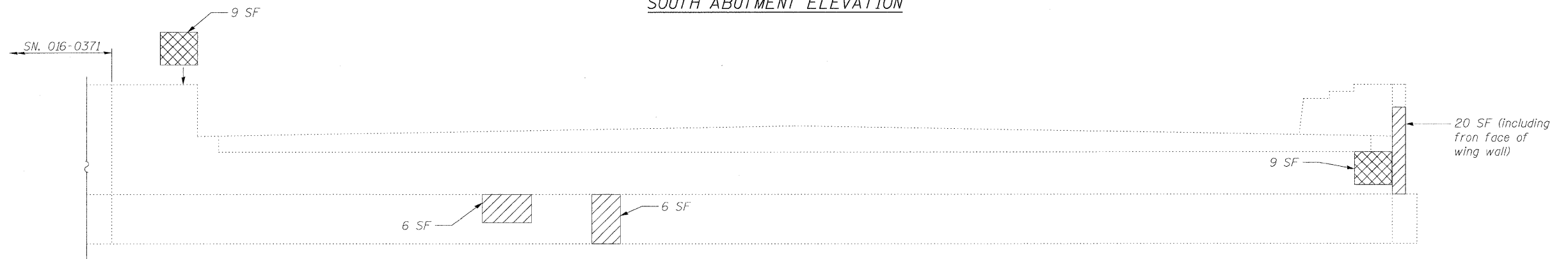


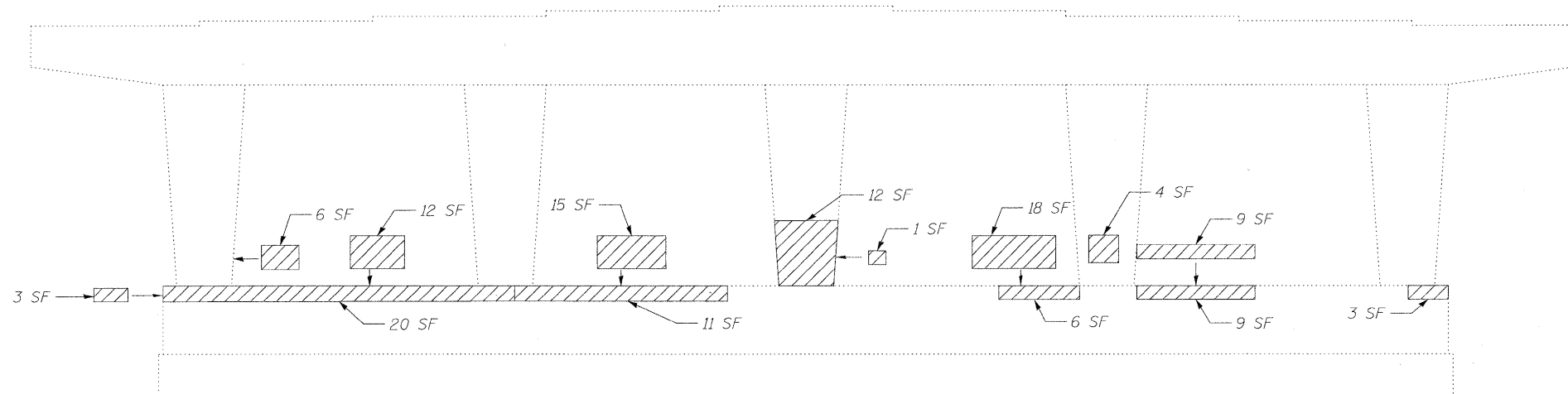
STATE OF ILLINOIS
DEPARTMENT OF TRANSPORTATION



SOUTH ABUTMENT ELEVATION



NORTH ABUTMENT ELEVATION



PIER 3 ELEVATION

(South Face)

BILL OF MATERIAL

ITEM	UNIT	TOTAL
Structural Repair of Concrete (Depth Equal to or Less Than 5 in.)	Sq. Ft.	216
Structural Repair of Concrete (Depth Greater Than 5 in.)	Sq. Ft.	31

Repair of the existing substructure shall include but may not be limited to the areas shown. The actual areas to be repaired will be determined by the Engineer at the time of construction.

LEGEND

Indicates Structural Repair of Concrete
(Depth Equal to or Less Than 5")

Indicates Structural Repair of Concrete
(Depth Greater Than 5")

SF Square Feet

SUBSTRUCTURE REPAIR
STRUCTURE NO. 016-0973

LIN ENGINEERING, LTD. Consulting Engineers Chatham, Illinois <small>Designed By: ESH Checked By: MTH Drawn By: TBP Date: 12/2009 File: 08-0973.dgn</small>	SHEET NO. 8 11 SHEETS	F.A.I. RTE. 290	SECTION (531-3.1,0305-302K)RS-5	COUNTY COOK	TOTAL SHEETS 314	SHEET NO. 145
	FED. ROAD DIST. NO. _ ILLINOIS FED. AID PROJECT		CONTRACT NO. 60138			