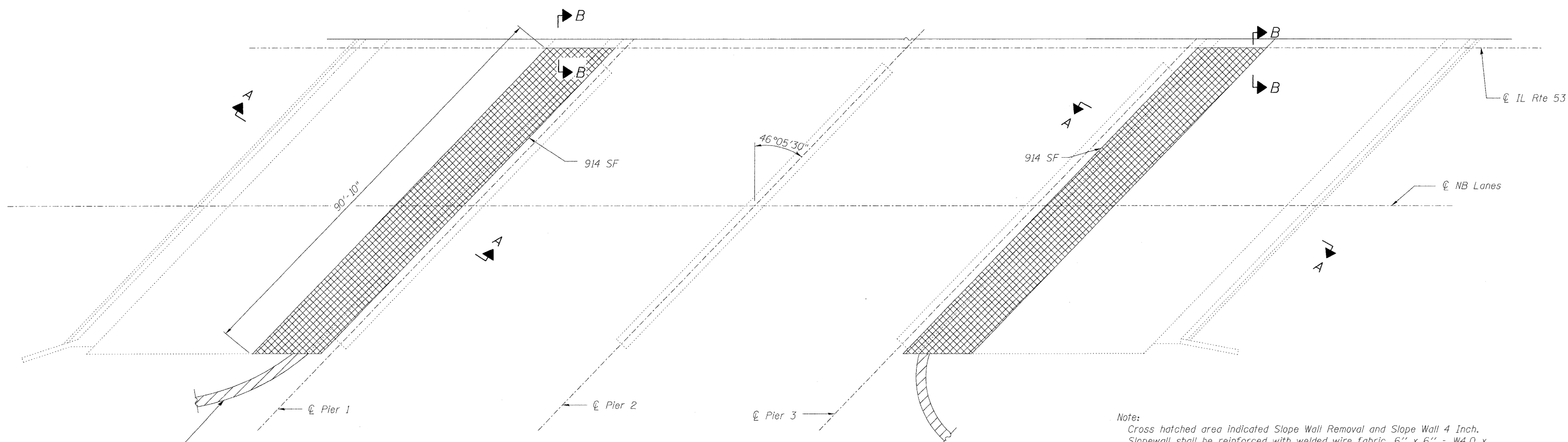


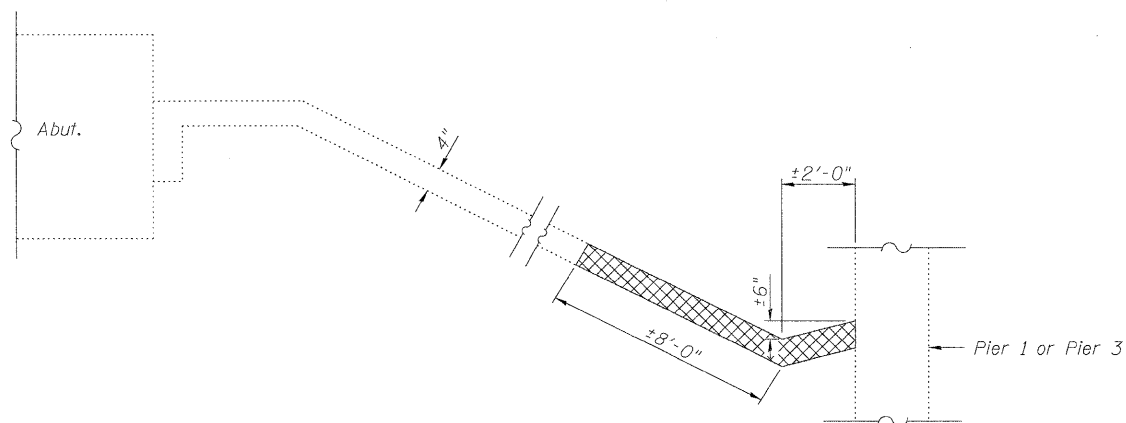
STATE OF ILLINOIS  
DEPARTMENT OF TRANSPORTATION



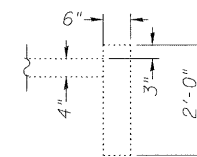
Grade ditch to drain, typ.  
Cost included with "Slope Wall 4 inch"

PLAN

Note:  
Cross hatched area indicated Slope Wall Removal and Slope Wall 4 Inch.  
Slopewall shall be reinforced with welded wire fabric, 6" x 6" - W4.0 x W4.0, weighing 58 lbs. per 100 sq. ft.  
Existing reinforcement shall be cleaned and incorporated into the new construction. Cost included with Slope Wall Removal.  
Existing and new welded wire fabric must be lapped at least 6".  
Repair of the existing slope walls shall include but may not be limited to the areas shown. The actual areas to be repaired will be determined by the Engineer at the time of construction.



SECTION A-A



SECTION B-B

LEGEND

SF Square Feet

BILL OF MATERIAL

ITEM	UNIT	TOTAL
Slope Wall Removal	Sq. Yd.	203
Slope Wall 4 Inch	Sq. Yd.	203

SLOPE WALL REPAIR  
STRUCTURE NO. 016-0973

<p>LIN ENGINEERING, LTD. Consulting Engineers Chatham, Illinois</p>	SHEET NO. 9	F.A.I. RTE.	SECTION	COUNTY	TOTAL SHEETS	SHEET NO.	
	11 SHEETS	290	(531-3.1,0305-302K)RS-5	COOK	314	146	
<small>Designed By: ESH    Checked By: MTH    Drawn By: TBP Date: 12/2009    File: 016-0973.dgn</small>		FED. ROAD DIST. NO. - ILLINOIS FED. AID PROJECT				CONTRACT NO. 60138	