

STATE OF ILLINOIS  
DEPARTMENT OF TRANSPORTATION

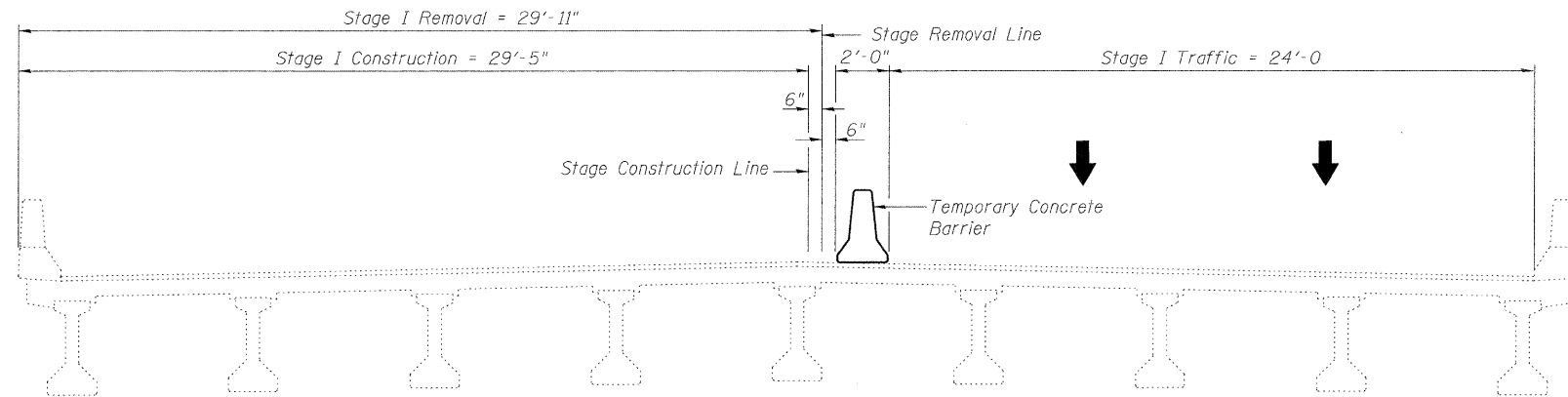
**GENERAL NOTES**

Reinforcement bars shall conform to the requirements of ASTM A 706 Gr 60. See Special Provisions.

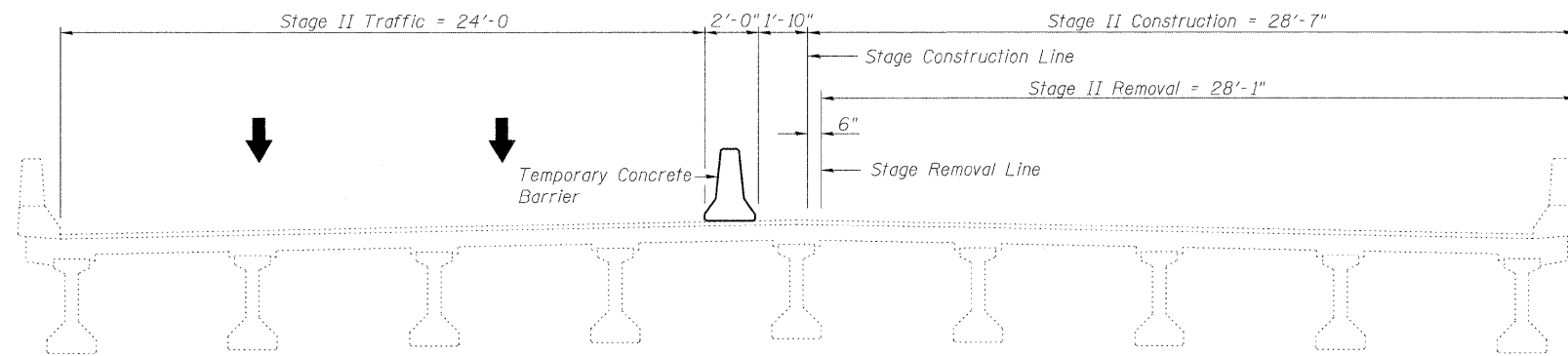
Reinforcement bars designated (E) shall be epoxy coated.

Plan dimensions and details relative to existing plans are subject to nominal construction variations. The Contractor shall field verify existing dimensions and details affecting new construction and make necessary approved adjustments prior to construction or ordering of materials. Such variations shall not be cause for additional compensation for a change in scope of the work, however, the Contractor will be paid for the quantity actually furnished at the unit price bid for the work.

Joint openings shall be adjusted according to Article 520.04 of the Std. Specs. when the deck is poured at an ambient temperature other than 50° F.



**STAGE I REMOVAL & CONSTRUCTION**  
(Looking North)



**STAGE II REMOVAL & CONSTRUCTION**  
(Looking North)

**TOTAL BILL OF MATERIAL**

ITEM	UNIT	SUPER	SUB	TOTAL
Concrete Removal	Cu. Yd.	51.1	-	51.1
Slope Wall Removal	Sq. Yd.	-	203	203
Protective Shield	Sq. Yd.	634	-	634
Concrete Superstructure	Cu. Yd.	51.1	-	51.1
Jack and Remove Existing Bearings	Each	-	18	18
Reinforcement Bars, Epoxy Coated	Pound	6650	-	6650
Bar Splicers	Each	24	-	24
Slope Wall 4 Inch	Sq. Yd.	-	203	203
Preformed Joint Strip Seal	Foot	160	-	160
Elastomeric Bearing Assembly, Type II (Special)	Each	-	18	18
Anchor Bolts, 1"	Each	-	36	36
Concrete Sealer	Sq. Ft.	14177	-	14177
Structural Repair of Concrete (Depth Greater Than 5 in.)	Sq. Ft.	-	106	106
Structural Repair of Concrete (Depth Equal To or Less Than 5 in.)	Sq. Ft.	-	175	175
Deck Slab Repair (Full Depth, Type II)	Sq. Yd.	76.3	-	76.3
Deck Slab Repair (Partial)	Sq. Yd.	31.7	-	31.7
Clean and Reseal Relief Joint	Foot	104	-	104

**GENERAL NOTES AND DETAILS**  
**STRUCTURE NO. 016-0371**

 LIN ENGINEERING, LTD. Consulting Engineers Chatham, Illinois	SHEET NO. 2  11 SHEETS	F.A.I. RTE.	SECTION	COUNTY	TOTAL SHEETS	SHEET NO.
		290	(531-3.1,0305-302K)RS-5	COOK	314	150
Designed By: ESH    Checked By: MTH    Drawn By: TBP Date: 12/2009    File: 016-0371.dgn		CONTRACT NO. 60138 FED. ROAD DIST. NO. _ ILLINOIS FED. AID PROJECT				