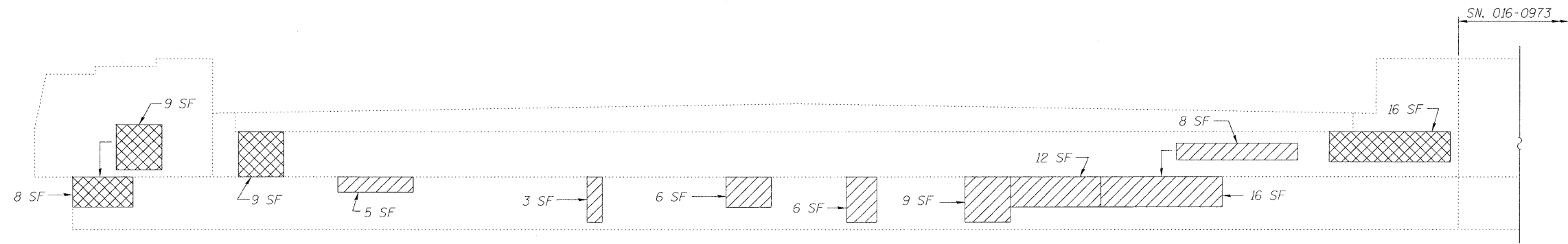
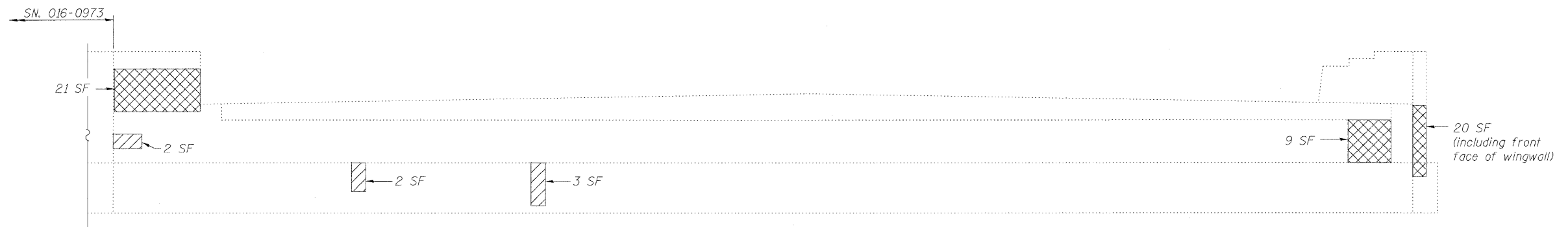


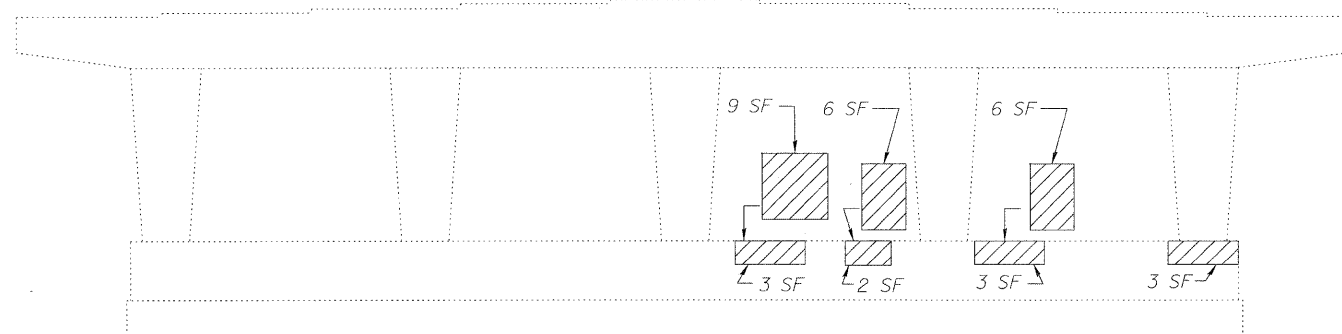
STATE OF ILLINOIS  
DEPARTMENT OF TRANSPORTATION



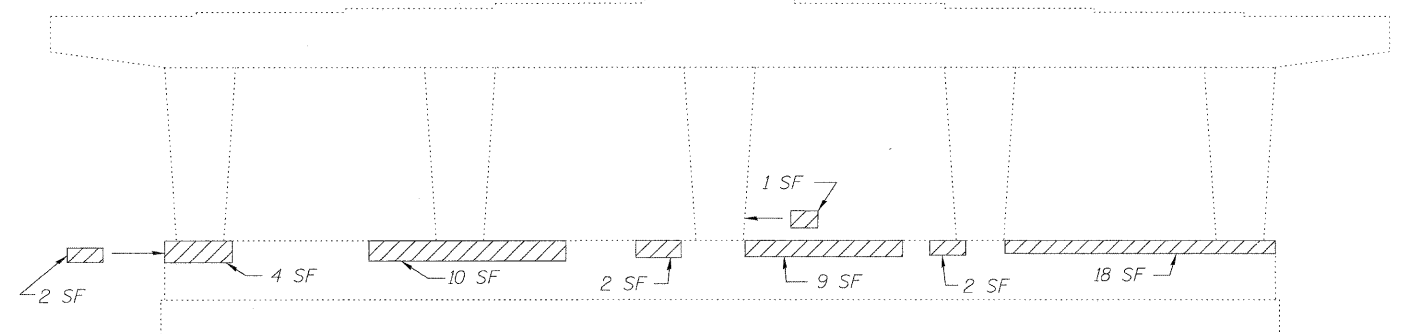
NORTH ABUTMENT ELEVATION



SOUTH ABUTMENT ELEVATION



PIER 1 ELEVATION  
(North Face)



PIER 3 ELEVATION  
(South Face)

LEGEND

- Indicates Structural Repair of Concrete (Depth Equal to or Less Than 5")
- Indicates Structural Repair of Concrete (Depth Greater Than 5")

SF Square Feet

BILL OF MATERIAL

| ITEM  | UNIT    | TOTAL |
|---|---------|-------|
| Structural Repair of Concrete (Depth Equal to or Less Than 5 in.) | Sq. Ft. | 175   |
| Structural Repair of Concrete (Depth Greater Than 5 in.)          | Sq. Ft. | 106   |

Repair of the existing substructure shall include but may not be limited to the areas shown. The actual areas to be repaired will be determined by the Engineer at the time of construction.

SUBSTRUCTURE REPAIR  
STRUCTURE NO. 016-0371

|  |             |                       |                         |                           |              |           |
|--|-------------|-----------------------|-------------------------|---------------------------|--------------|-----------|
| <br>LIN ENGINEERING, LTD.<br>Consulting Engineers<br>Chatham, Illinois | SHEET NO. 8 | F.A.I. RTE.           | SECTION                 | COUNTY                    | TOTAL SHEETS | SHEET NO. |
|  | 11 SHEETS   | 290                   | (531-3.1,0305-302K)RS-5 | COOK                      | 314          | 156       |
|  |             | FED. ROAD DIST. NO. _ |                         | ILLINOIS FED. AID PROJECT |              |           |
|  |             | CONTRACT NO. 60138    |                         |                           |              |           |