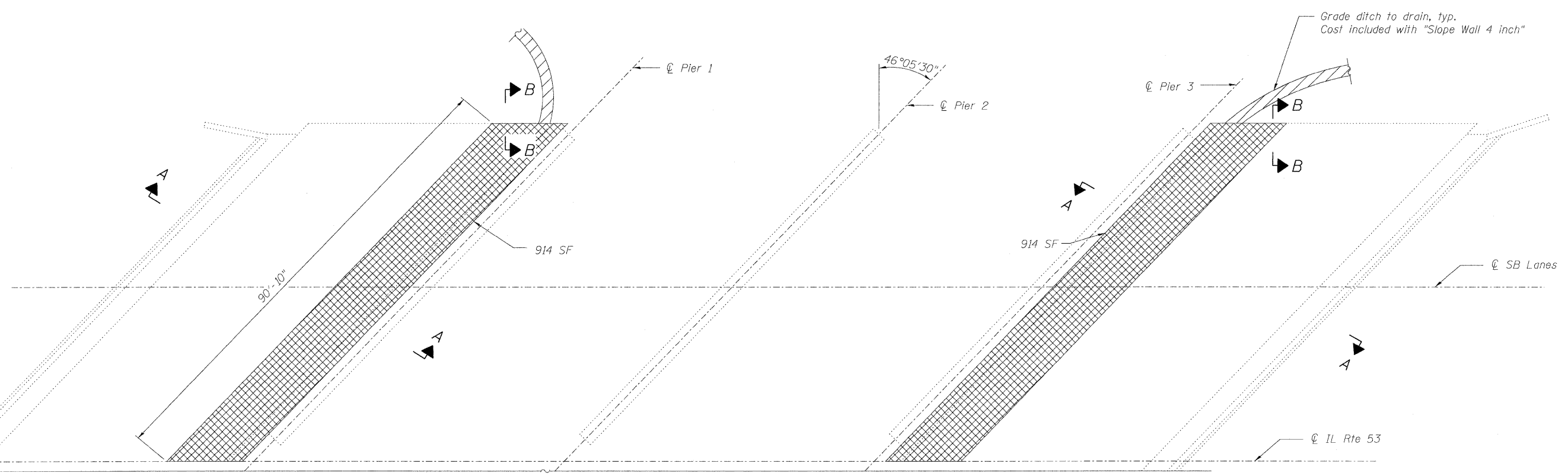
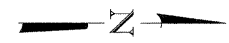
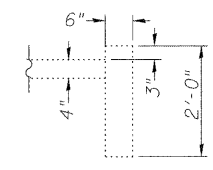


STATE OF ILLINOIS
DEPARTMENT OF TRANSPORTATION



PLAN

Note:
Cross hatched area indicated Slope Wall Removal and Slope Wall 4 Inch.
Slopewall shall be reinforced with welded wire fabric, 6" x 6" - W4.0 x W4.0, weighing 58 lbs. per 100 sq. ft.
Existing reinforcement shall be cleaned and incorporated into the new construction. Cost included with Slope Wall Removal.
Existing and new welded wire fabric must be lapped at least 6".
Repair of the existing slope walls shall include but may not be limited to the areas shown. The actual areas to be repaired will be determined by the Engineer at the time of construction.



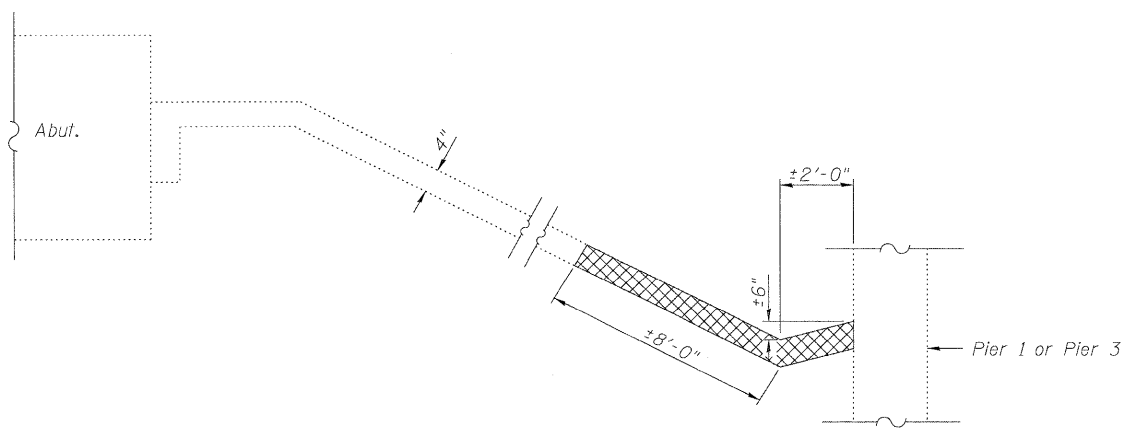
SECTION B-B

LEGEND

SF Square Feet

BILL OF MATERIAL

ITEM	UNIT	TOTAL
Slope Wall Removal	Sq. Yd.	203
Slope Wall 4 Inch	Sq. Yd.	203



SECTION A-A

SLOPE WALL REPAIR
STRUCTURE NO. 016-0371

LIN ENGINEERING, LTD.
Consulting Engineers
Chatham, Illinois

Designed By: ESH
Date: 12/2028

Checked By: MTH
File: 016-0371.dgn

Drawn By: TBP

SHEET NO. 9
11 SHEETS

F.A.I. RTE.	SECTION	COUNTY	TOTAL SHEETS	SHEET NO.
290	(531-3.1,0305-302K)RS-5	COOK	314	157
FED. ROAD DIST. NO. - ILLINOIS			FED. AID PROJECT	
CONTRACT NO. 60138				