

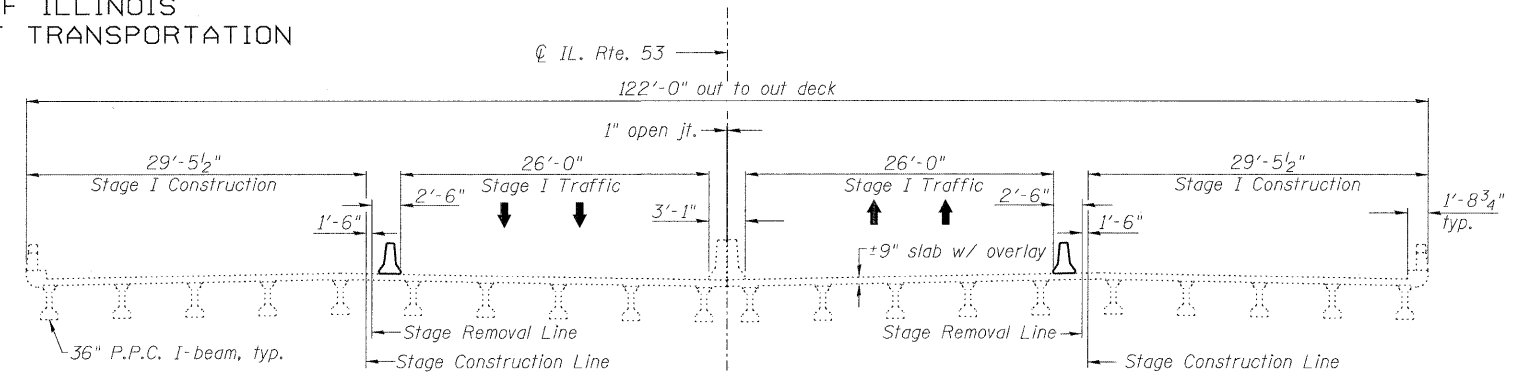
STATE OF ILLINOIS  
DEPARTMENT OF TRANSPORTATION

**GENERAL NOTES**

Reinforcement bars shall conform to the requirements of ASTM A 706 Gr 60. See Special Provisions.

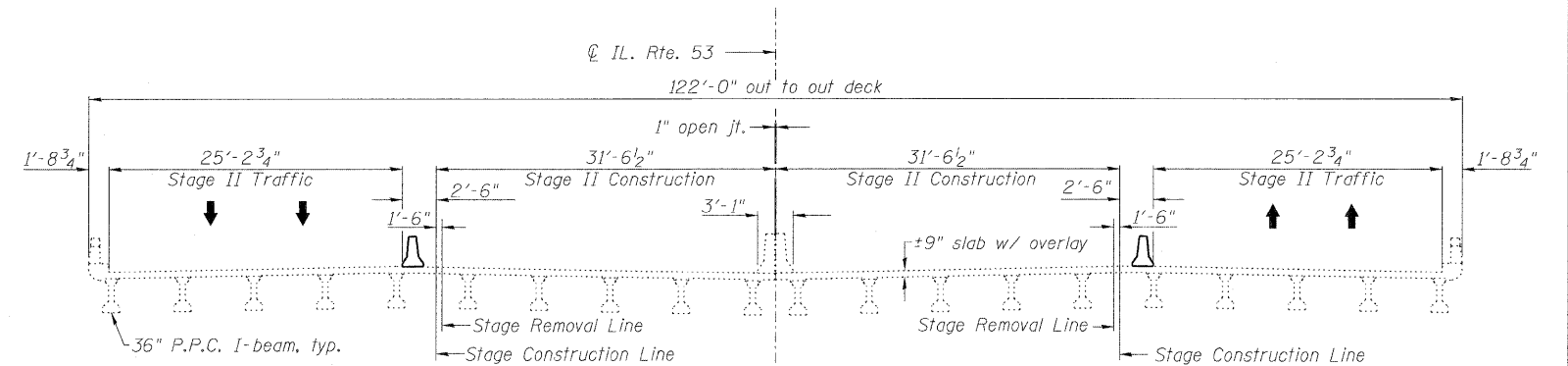
Reinforcement bars designated (E) shall be epoxy coated.

Plan dimensions and details relative to existing plans are subject to nominal construction variations. The Contractor shall field verify existing dimensions and details affecting new construction and make necessary approved adjustments prior to construction or ordering of materials. Such variations shall not be cause for additional compensation for a change in scope of the work, however, the Contractor will be paid for the quantity actually furnished at the unit price bid for the work.



**STAGE I REMOVAL & CONSTRUCTION**

(Looking North)



**STAGE II REMOVAL & CONSTRUCTION**

(Looking North)

**TOTAL BILL OF MATERIAL**

Item	Unit	Super	Sub	Total
Concrete Removal	Cu. Yd.	29.6	-	29.6
Protective Shield	Sq. Yd.	623	-	623
Concrete Superstructure	Cu. Yd.	54.4	-	54.4
Reinforcement Bars, Epoxy Coated	Pound	6720	-	6720
Bar Splicers	Each	40	-	40
Concrete Sealer	Sq. Ft.	6992	-	6992
Structural Repair of Concrete (Depth greater than 5 in.)	Sq. Ft.	-	58	58
Structural Repair of Concrete (Depth equal to or less than 5 in.)	Sq. Ft.	-	365	365
Deck Slab Repair (Full Depth, Type II)	Sq. Yd.	62.7	-	62.7
Approach Slab Repair (Partial Depth)	Sq. Yd.	12.0	-	12.0

**GENERAL NOTES AND  
TOTAL BILL OF MATERIAL  
STRUCTURE NO. 016-0372**

<p>LIN ENGINEERING, LTD. Consulting Engineers Chatham, Illinois</p>	SHEET NO. 2	F.A.I. RTE.	SECTION	COUNTY	TOTAL SHEETS	SHEET NO.
	9 SHEETS	290	(531-3.1,0305-302K)RS-5	COOK	314	161
Designed By: ADB    Checked By: MTH    Drawn By: ADB Date: 12/2015    File: 016-0372.dgn		CONTRACT NO. 60138				
FED. ROAD DIST. NO. - ILLINOIS FED. AID PROJECT						