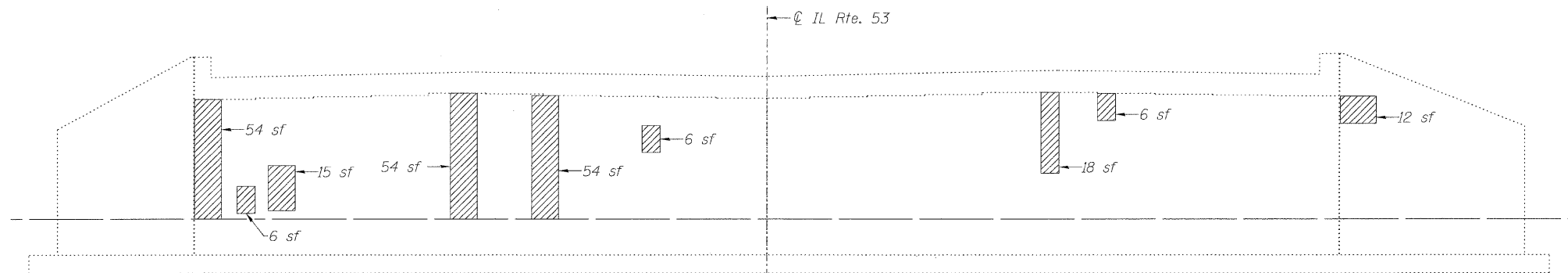
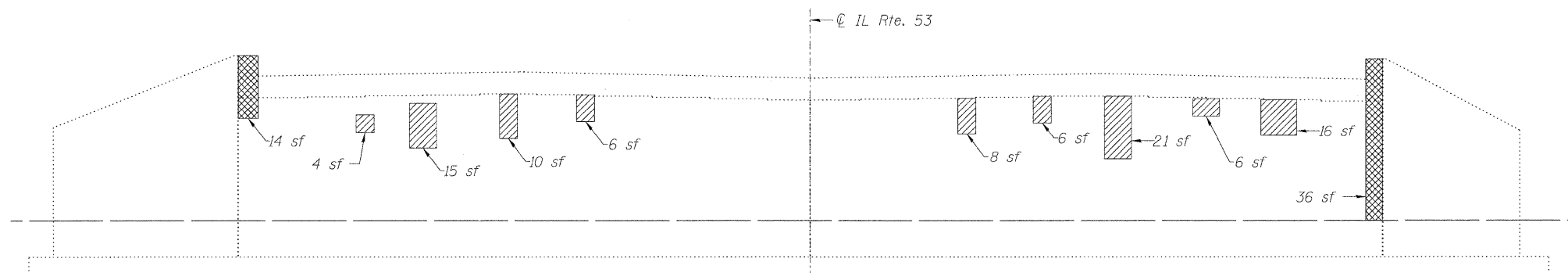


STATE OF ILLINOIS
DEPARTMENT OF TRANSPORTATION



NORTH ABUTMENT ELEVATION
(Looking North)



SOUTH ABUTMENT ELEVATION
(Looking South)

Note:

Repair of the existing abutments shall include but may not be limited to the areas shown. The actual areas to be repaired will be determined by the Engineer at the time of construction.

LEGEND

- Structural Repair of Concrete (Depth greater than 5 in.)
- Structural Repair of Concrete (Depth equal to or less than 5 in.)
- sf Square Feet

BILL OF MATERIAL

| Item | Unit | Total |
|---|---------|-------|
| Structural Repair of Concrete (Depth greater than 5 in.) | Sq. Ft. | 58 |
| Structural Repair of Concrete (Depth equal to or less than 5 in.) | Sq. Ft. | 365 |

ABUTMENT CONCRETE REPAIR
STRUCTURE NO. 016-0372

| | | | | | | | |
|---|-------------|---------------------------------------|-------------------------|--------------------------------|--------------|------------------|--|
| LIN ENGINEERING, LTD. Consulting Engineers Chatham, Illinois | SHEET NO. 5 | F.A.I. RTE. | SECTION | COUNTY | TOTAL SHEETS | SHEET NO. | |
| | 9 SHEETS | 290 | (531-3.1,0305-302K)RS-5 | COOK | 314 | 164 | |
| | | CONTRACT NO. 60138 | | | | | |
| Designed By: ADB Date: 12/2009 | | Checked By: MTH File: 016-0372.dgn | | FED. ROAD DIST. NO. _ ILLINOIS | | FED. AID PROJECT | |