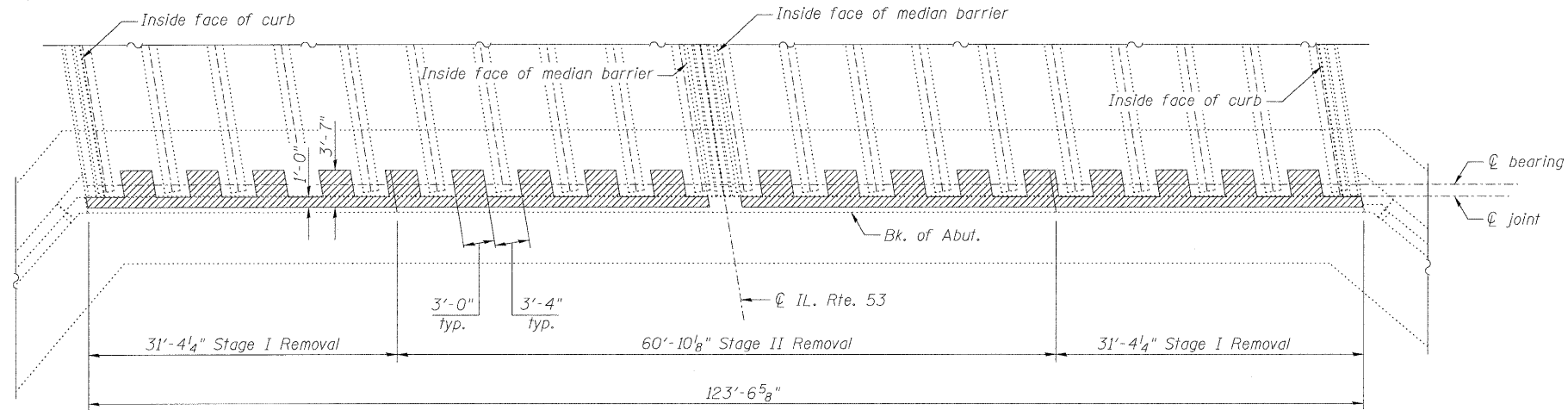
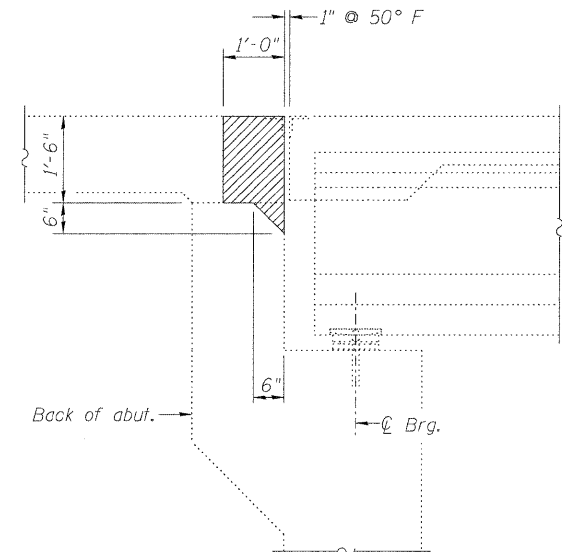


STATE OF ILLINOIS
DEPARTMENT OF TRANSPORTATION



PLAN

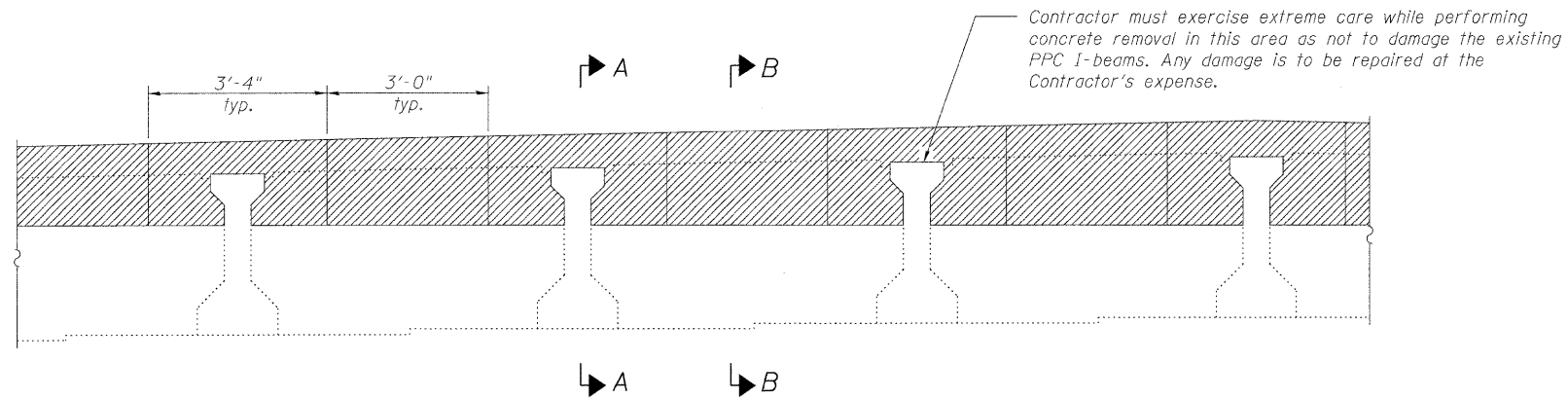
(South abutment shown, north abutment similar)



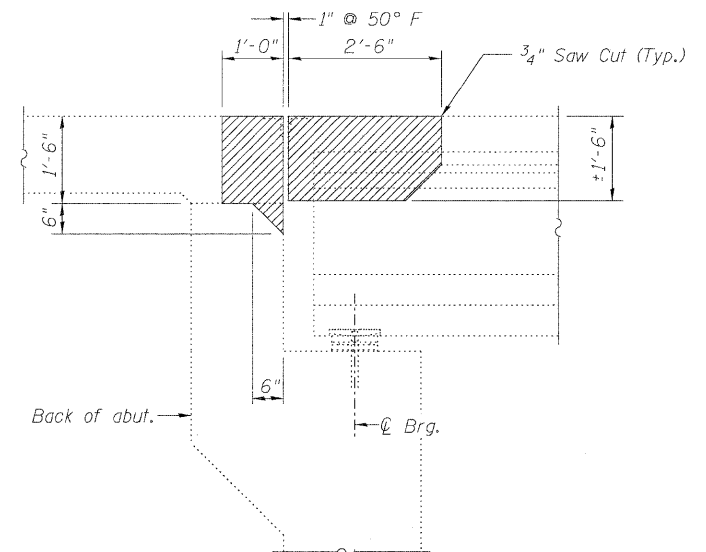
SECTION A-A

Dimensions at right angles to abutment.

Notes:
Existing reinforcement shall be cleaned and incorporated into the new construction. Cost included with Concrete Removal.
Hatched area indicates limits of concrete removal.



ELEVATION



SECTION B-B

Dimensions at right angles to abutment.

BILL OF MATERIAL

Item	Unit	Total
Concrete Removal	Cu. Yd.	29.6

**CONCRETE REMOVAL DETAILS
STRUCTURE NO. 016-0372**

<p>LIN ENGINEERING, LTD. Consulting Engineers Chatham, Illinois</p>	SHEET NO. 6	F.A.I. RTE.	SECTION	COUNTY	TOTAL SHEETS	SHEET NO.
	9 SHEETS	290	(531-3.1,0305-302K)RS-5	COOK	314	165
Designed By: ADB Date: 12/2003		Checked By: MTH File: 016-0372.dgn		CONTRACT NO. 60138		
FED. ROAD DIST. NO. _ ILLINOIS FED. AID PROJECT						