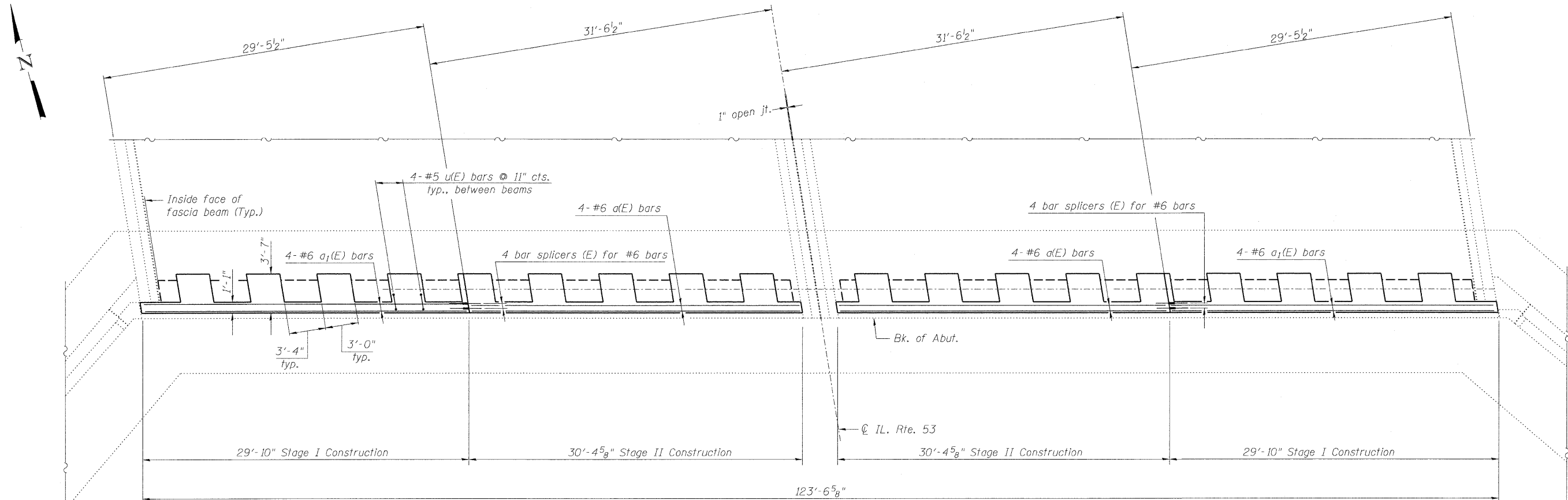
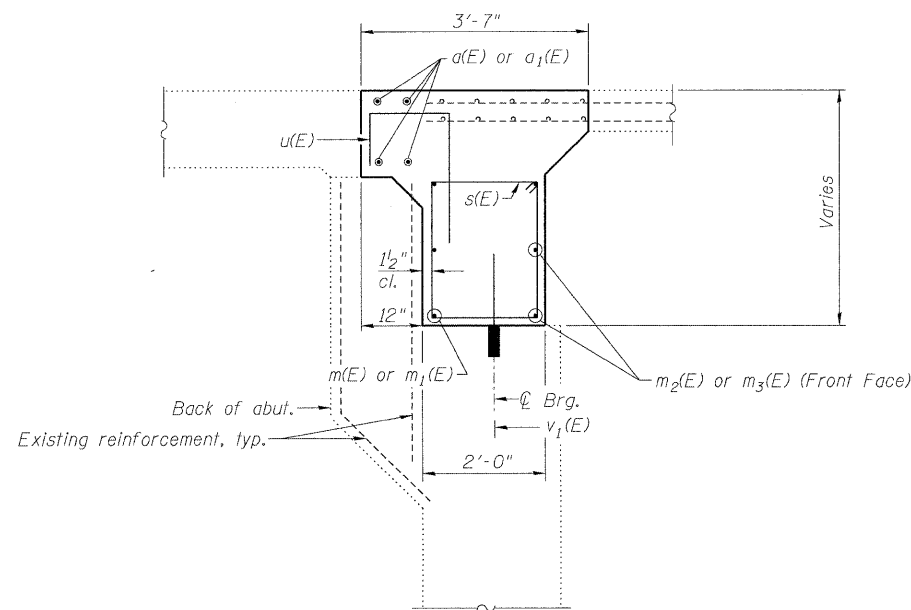


STATE OF ILLINOIS  
DEPARTMENT OF TRANSPORTATION



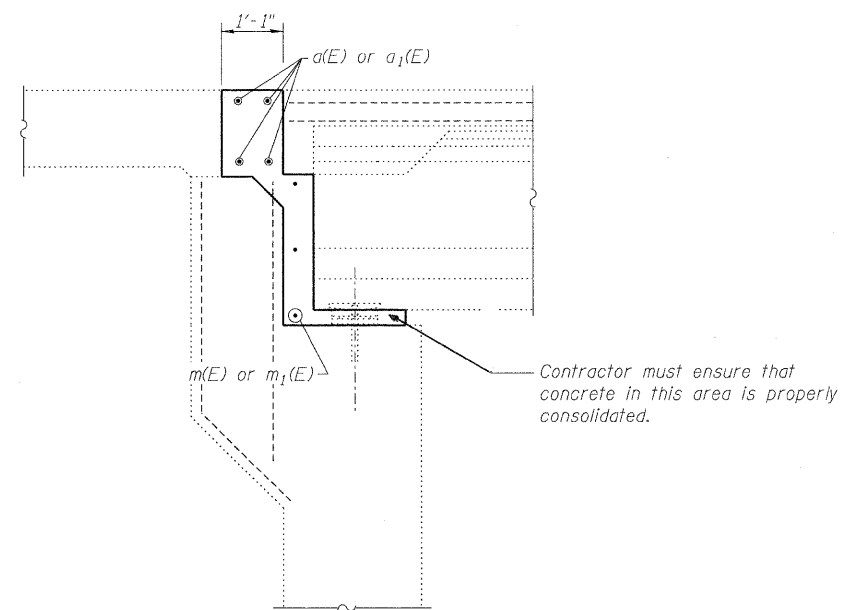
**PLAN**

(South abutment shown, north abutment similar)



**SECTION BETWEEN BEAMS**

Dimensions at right angles to abutment.



**SECTION AT BEAMS**

Dimensions at right angles to abutment.

Notes:  
Existing reinforcement extending from concrete which is to remain in place shall be cleaned and incorporated into the new construction. Cost included with Concrete Removal.  
For Bar details, bill of material, and barrier details see Sheet 8 of 9.

**ABUTMENT MODIFICATIONS - 1**  
**STRUCTURE NO. 016-0372**

<p>LIN ENGINEERING, LTD. Consulting Engineers Chatham, Illinois</p>	SHEET NO. 7	F.A.I. RTE.	SECTION	COUNTY	TOTAL SHEETS	SHEET NO.
	9 SHEETS	290	(531-3.1,0305-302K)RS-5	COOK	314	166
Designed By: ADB Checked By: MTH Date: 12/2008		Crown By: ADB File: 016-0372.dgn		CONTRACT NO. 60138		
FED. ROAD DIST. NO. _ ILLINOIS FED. AID PROJECT						