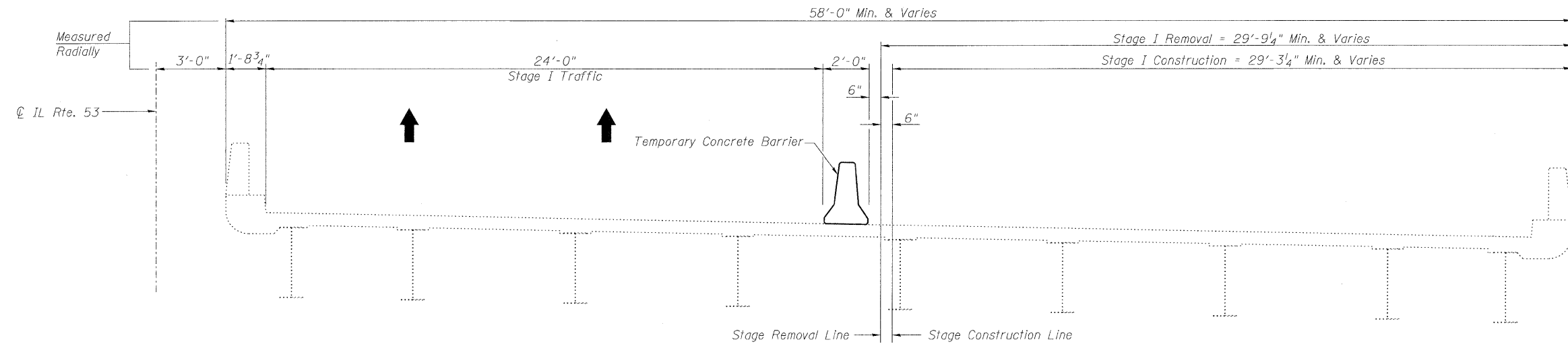
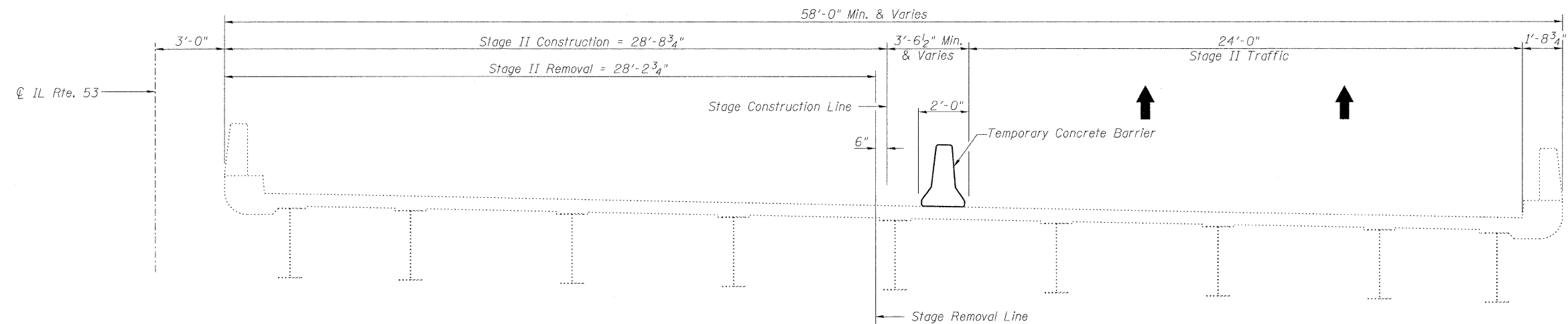


STATE OF ILLINOIS
DEPARTMENT OF TRANSPORTATION



STAGE I REMOVAL & CONSTRUCTION
(Looking North)



STAGE II REMOVAL & CONSTRUCTION
(Looking North)

STAGE CONSTRUCTION DETAILS
STRUCTURE NO. 016-0374

<p>LIN ENGINEERING, LTD. Consulting Engineers Chatham, Illinois</p>	<p>SHEET NO. 2 12 SHEETS</p>	F.A.I. RTE.	SECTION	COUNTY	TOTAL SHEETS	SHEET NO.
		290	(531-3.1,0305-302)RS-5	COOK	314	185
<p>Designed By: RH Checked By: MTH Drawn By: RH Date: 12/2009 File: 016-0374.dgn</p>		<p>FED. ROAD DIST. NO. _ ILLINOIS FED. AID PROJECT</p>				
<p>CONTRACT NO. 60138</p>						