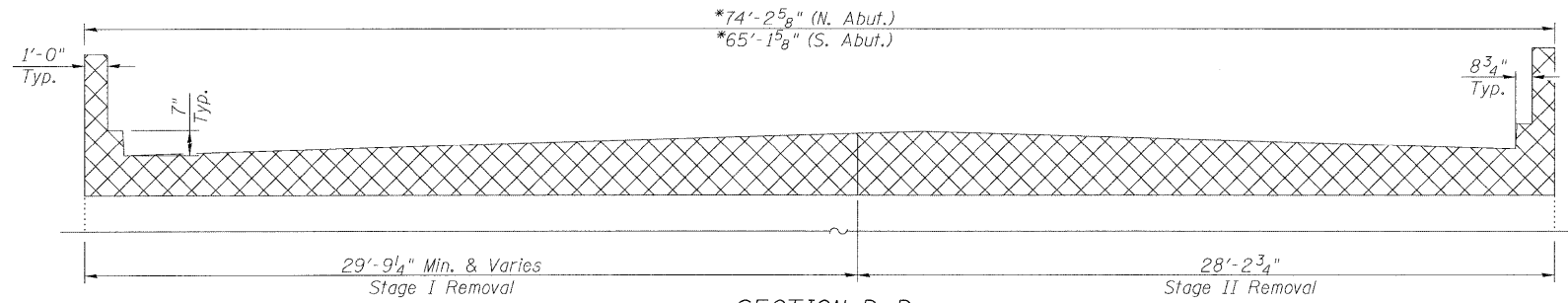
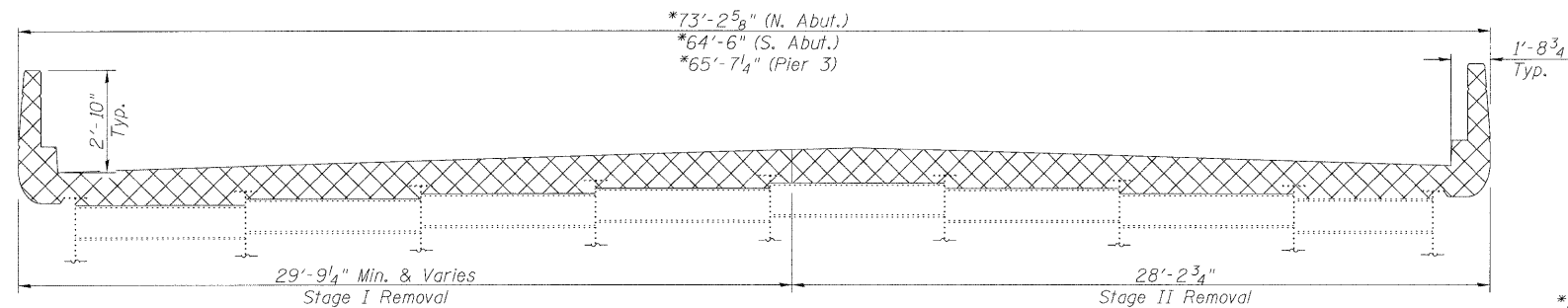


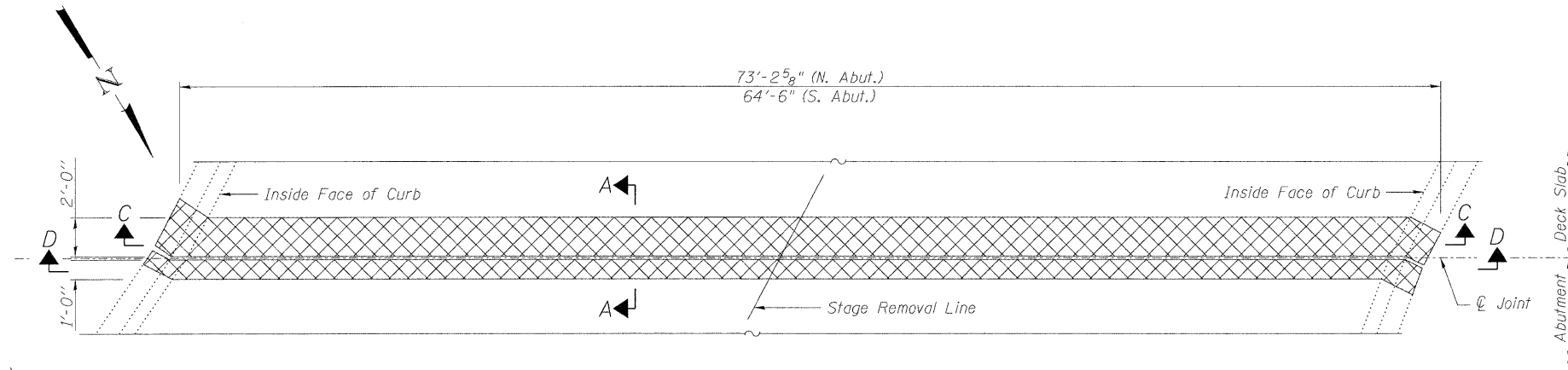
STATE OF ILLINOIS
DEPARTMENT OF TRANSPORTATION



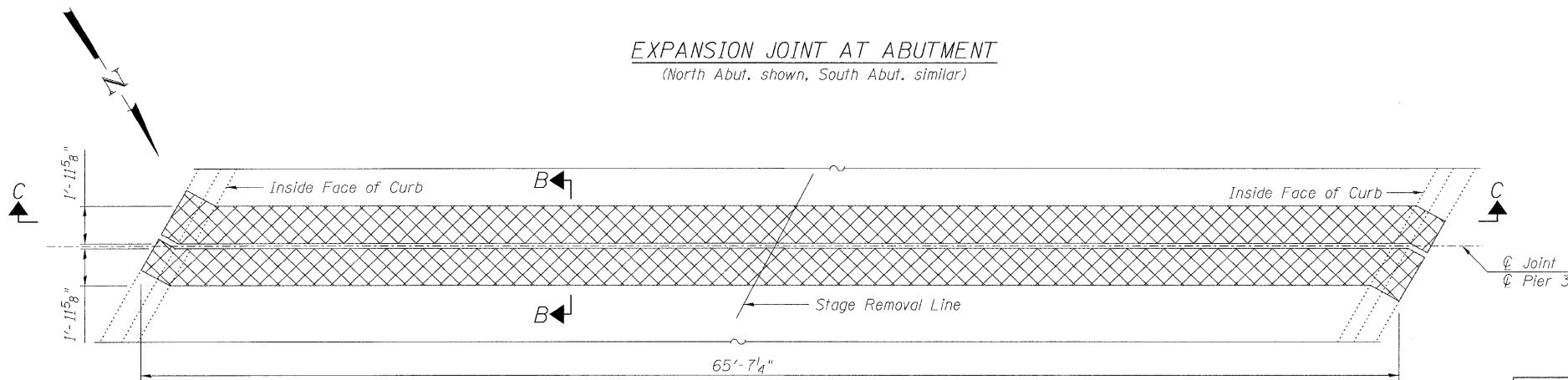
SECTION D-D
(North Abut. shown, South Abut. similar)
(Dimensions shown @ Rt. L.'s unless otherwise noted)



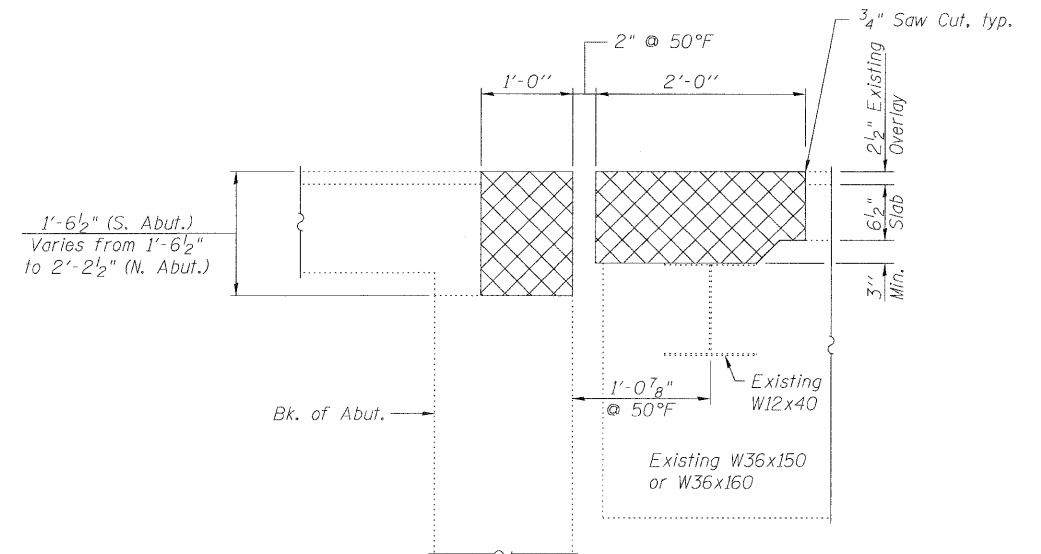
SECTION C-C
(North Abut. shown, Pier 3 and South Abut. similar)
(Dimensions shown @ Rt. L.'s unless otherwise noted)



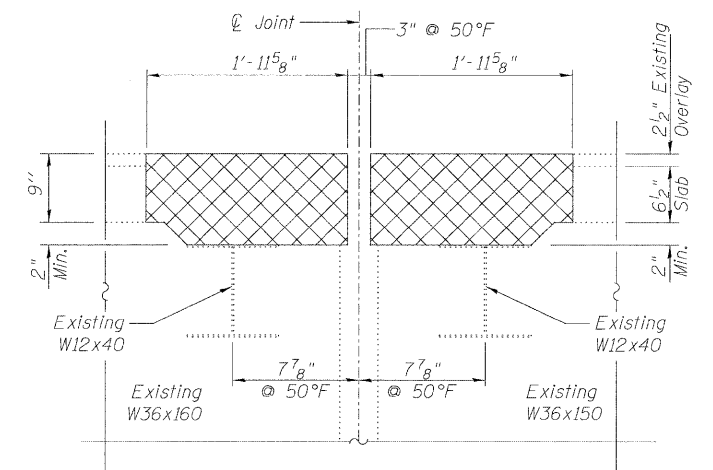
EXPANSION JOINT AT ABUTMENT
(North Abut. shown, South Abut. similar)



EXPANSION JOINT AT PIER 3



SECTION A-A
(Dimensions @ Rt. L.'s)



SECTION B-B
(Dimensions @ Rt. L.'s)

Notes:

1. Cross hatched area indicates concrete removal.
2. Existing reinforcement bars in the concrete removal area extending in new construction shall be cleaned and incorporated into the new construction. Cost included with Concrete Removal.
3. Any reinforcement bars that are damaged during concrete removal operations shall be repaired or replaced using an approved bar splicer or anchorage system, in accordance with IDOT Standard Specifications Article 501.03. Cost included in "Concrete Removal"
4. Overlay removal is included in pay item Concrete Removal.

BILL OF MATERIAL

Item	Unit	Total
Concrete Removal	Cu. Yd.	30.9

**CONCRETE REMOVAL
STRUCTURE NO. 016-0374**

<p>LIN ENGINEERING, LTD. Consulting Engineers Chattanooga, Illinois</p>	SHEET NO. 6	F.A.I. RTE. 290	SECTION (531-3.1,0305-302K)RS-5	COUNTY COOK	TOTAL SHEETS 314	SHEET NO. 189
	12 SHEETS	FED. ROAD DIST. NO. ILLINOIS		CONTRACT NO. 60138		

Designed By: RH
Checked By: MTH
Date: 12/2009

ILLINOIS FED. AID PROJECT