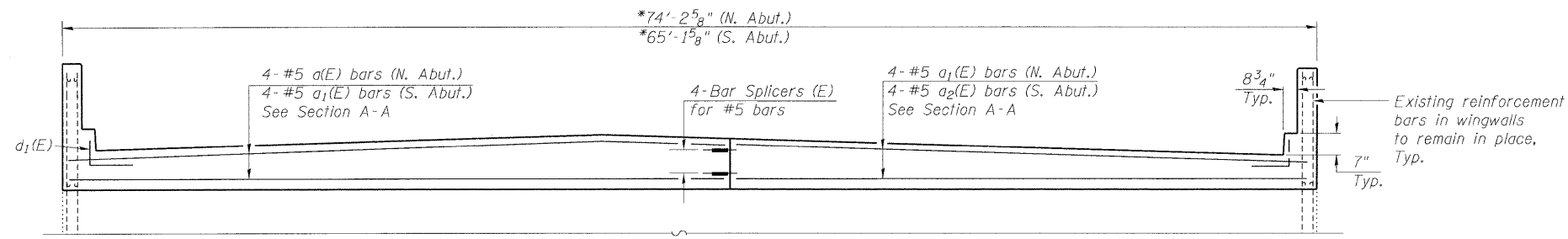
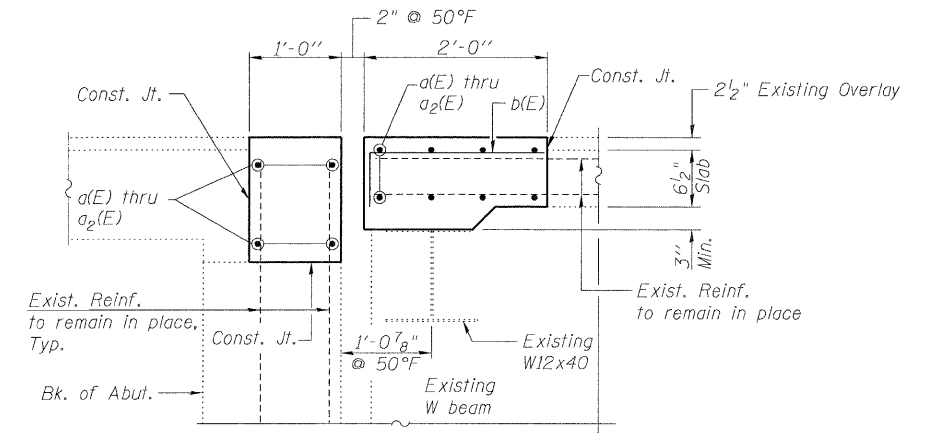


STATE OF ILLINOIS  
DEPARTMENT OF TRANSPORTATION



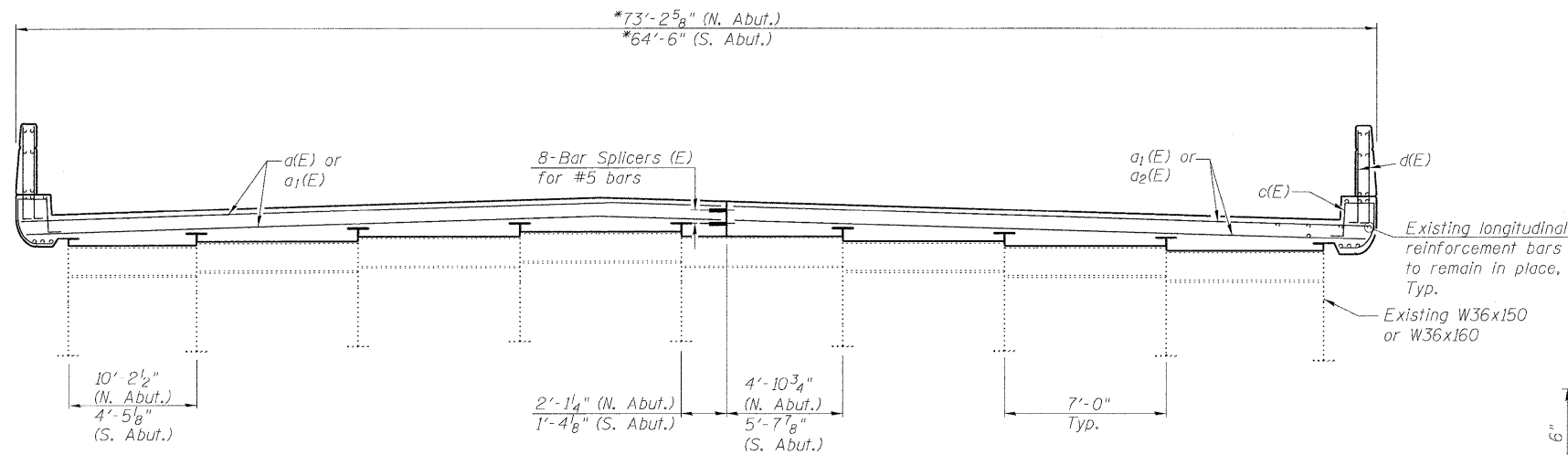
SECTION C-C

(Dimensions @ Rt. L's unless otherwise noted)  
(North Abut. shown, South Abut. similar)



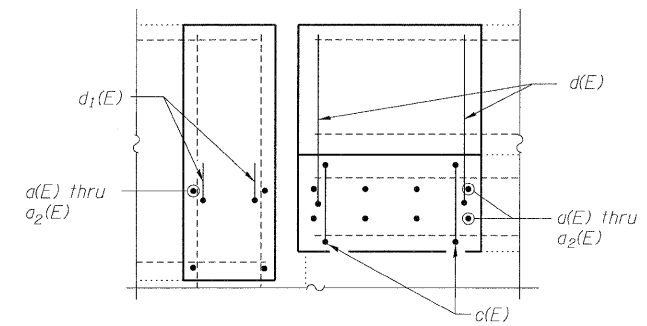
SECTION A-A

(Dimension @ Rt. L's)



SECTION B-B

(Dimensions @ Rt. L's unless otherwise noted)  
(North Abut. shown, South Abut. similar)

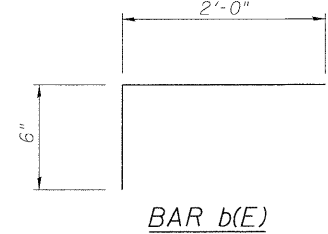


SECTION D-D

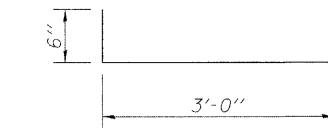
BILL OF MATERIAL

(Both Abutments)

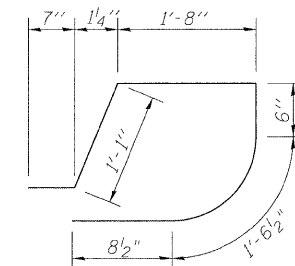
Bar	No.	Size	Length	Shape
a(E)	12	#5	41'-2"	—
a1(E)	24	#5	32'-8"	—
a2(E)	12	#5	32'-1"	—
b(E)	78	#5	2'-6"	┌
c(E)	12	#5	6'-1"	└
d(E)	24	#5	3'-6"	┌
d1(E)	8	#5	3'-0"	┌
Reinforcement Bars, Epoxy Coated		Pound	2130	
Concrete Superstructure		Cu. Yd.	20.3	



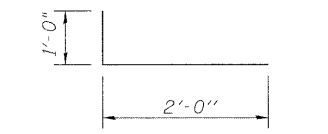
BAR b(E)



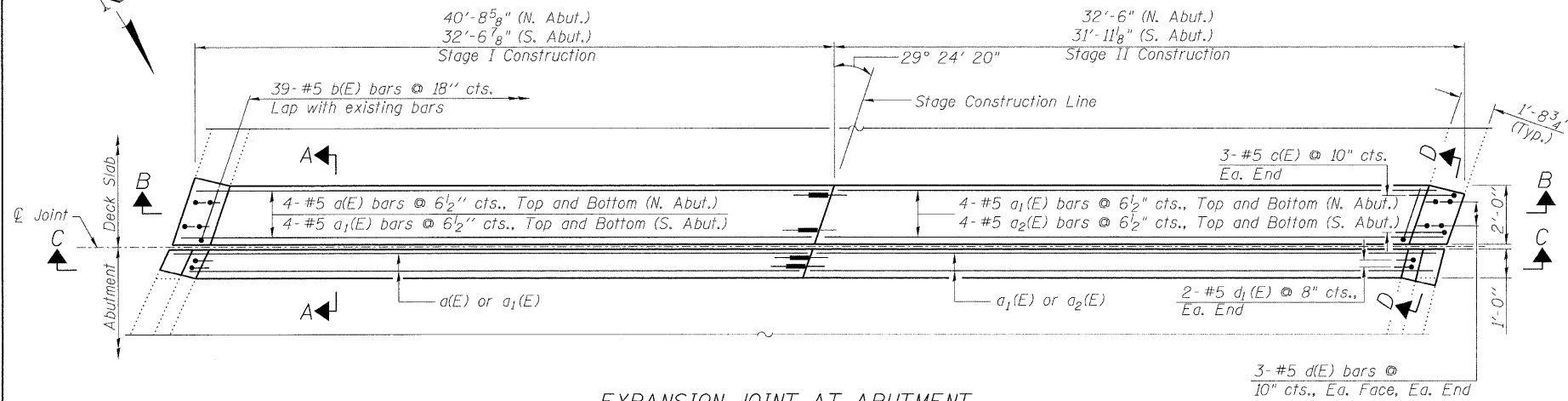
BAR d(E)



BAR c(E)



BAR d1(E)



EXPANSION JOINT AT ABUTMENT

(North Abut. Shown, South Abut. Similar)

ABUTMENT CONCRETE DETAILS  
STRUCTURE NO. 016-0374

	SHEET NO. 7	F.A.I. RTE.	SECTION	COUNTY	TOTAL SHEETS	SHEET NO.
	12 SHEETS	290	(531-3.1,0305-302K)RS-5	COOK	314	190
Designed By: RH Date: 12/2009		Checked By: WTH File: 016-0374.rdp		CONTRACT NO. 60138		
FED. ROAD DIST. NO. _ ILLINOIS FED. AID PROJECT						