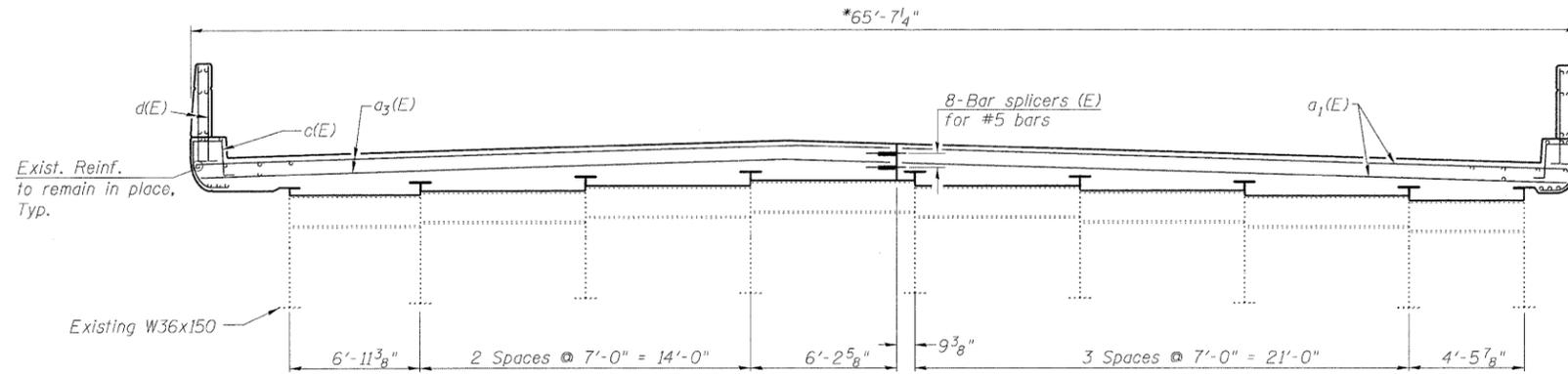
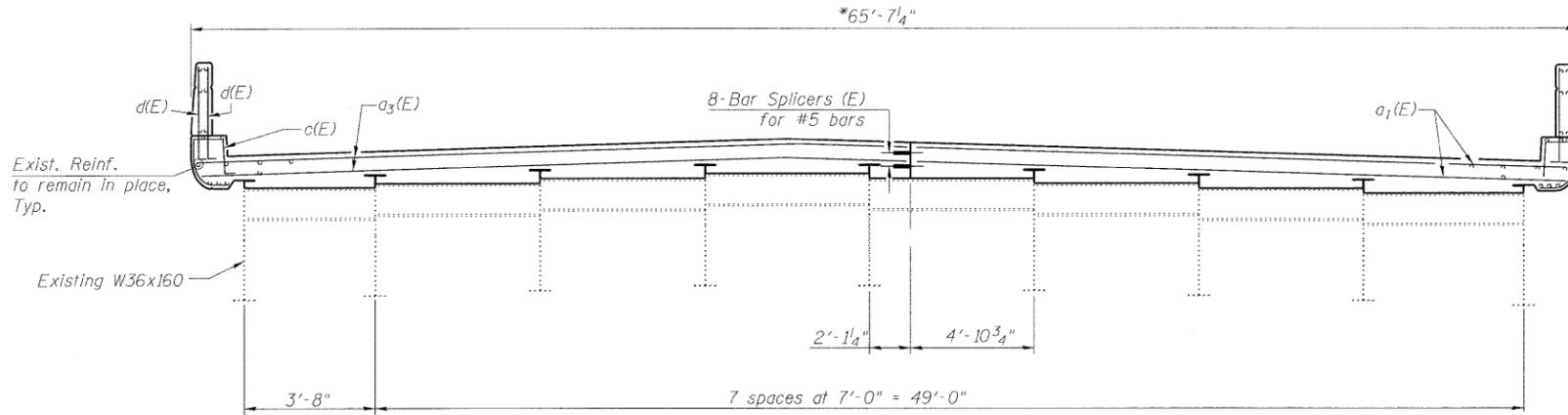


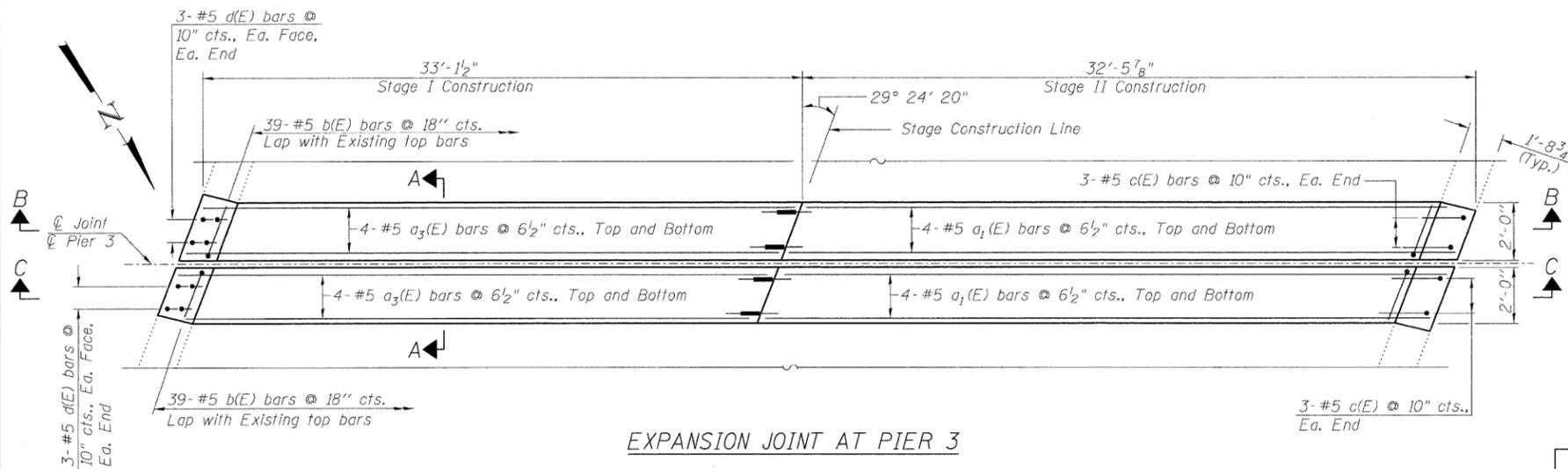
STATE OF ILLINOIS
DEPARTMENT OF TRANSPORTATION



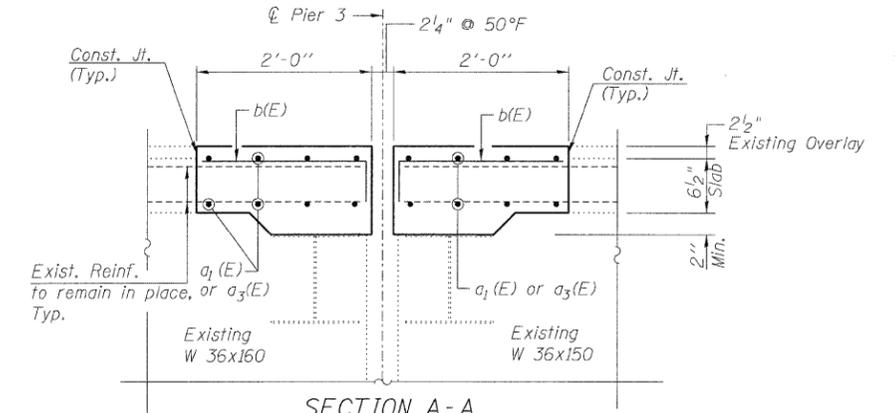
SECTION B-B
(Dimension @ Rt. L's unless otherwise noted)



SECTION C-C
(Dimension @ Rt. L's unless otherwise noted)

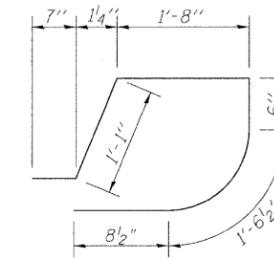


EXPANSION JOINT AT PIER 3

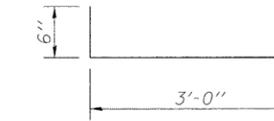


SECTION A-A
(Dimension @ Rt. L's)

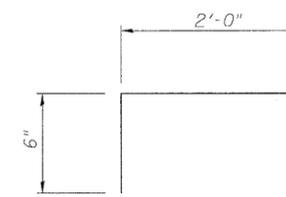
* Measured along skew



BAR c(E)



BAR d(E)



BAR b(E)

BILL OF MATERIAL

(Pier 3)

Bar	No.	Size	Length	Shape	
a ₁ (E)	16	#5	32'-8"	—	
a ₃ (E)	16	#5	33'-4"	—	
b(E)	78	#5	2'-6"	┌	
c(E)	12	#5	6'-1"	┌	
d(E)	24	#5	3'-6"	┌	
Reinforcement Bars, Epoxy Coated				Pound	1470
Concrete Superstructure				Cu. Yds.	10.6

PIER 3 CONCRETE DETAILS
STRUCTURE NO. 016-0374

<p>LIN ENGINEERING, LTD. Consulting Engineers Chatham, Illinois</p>	SHEET NO. 8	F.A.I. RTE.	SECTION	COUNTY	TOTAL SHEETS	SHEET NO.
	12 SHEETS	290	(531-3.1,0305-302K)RS-5	COOK	314	191
				CONTRACT NO. 60138		
		FED. ROAD DIST. NO. - ILLINOIS FED. AID PROJECT				