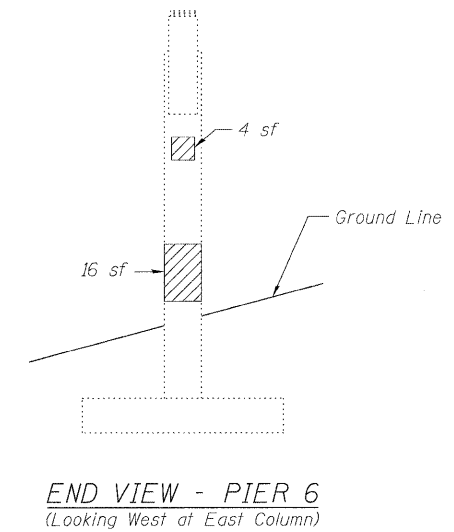
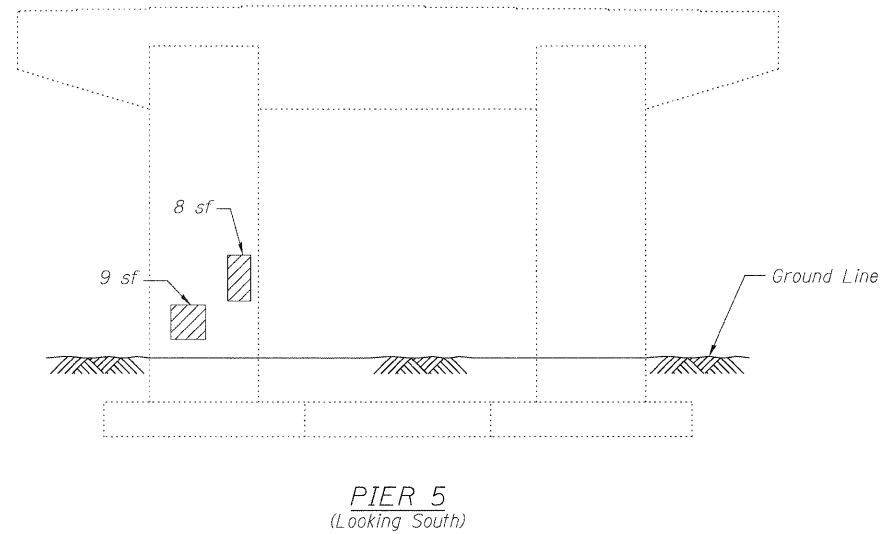
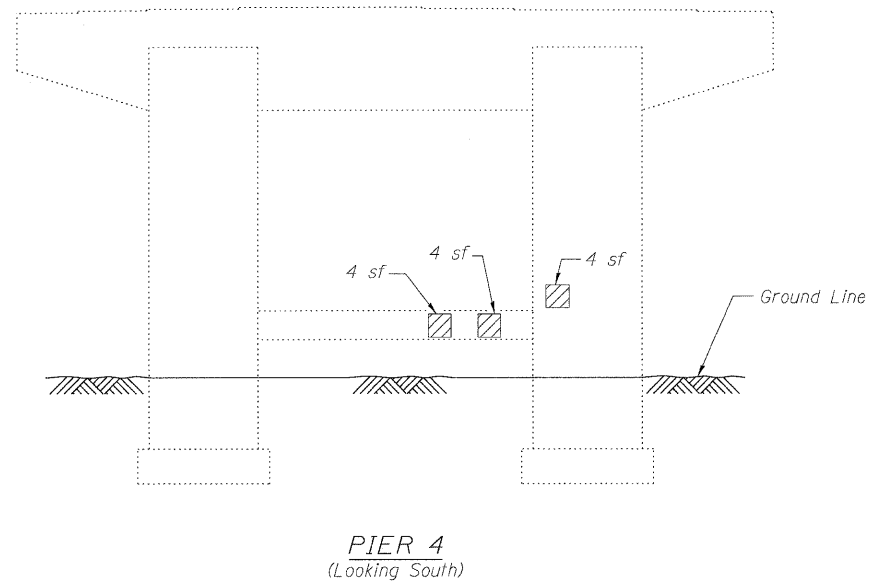
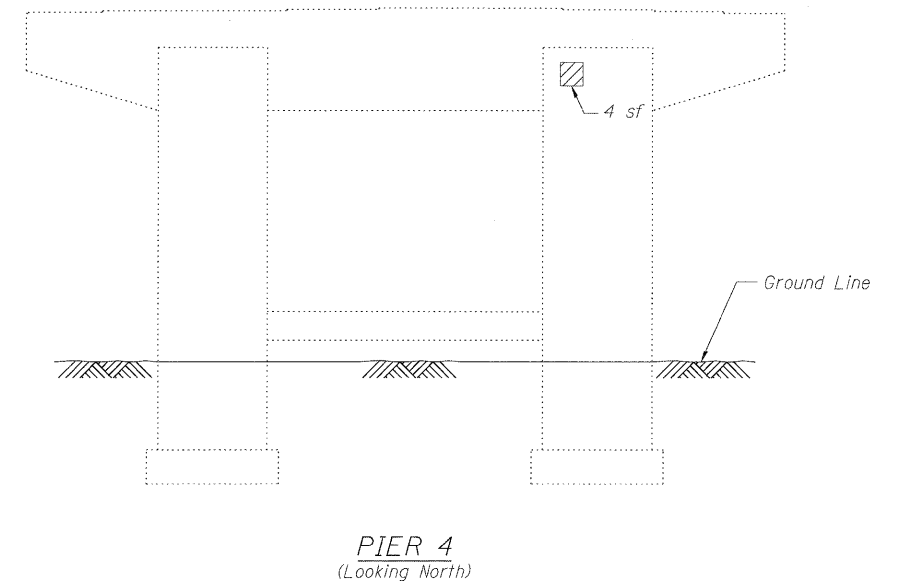
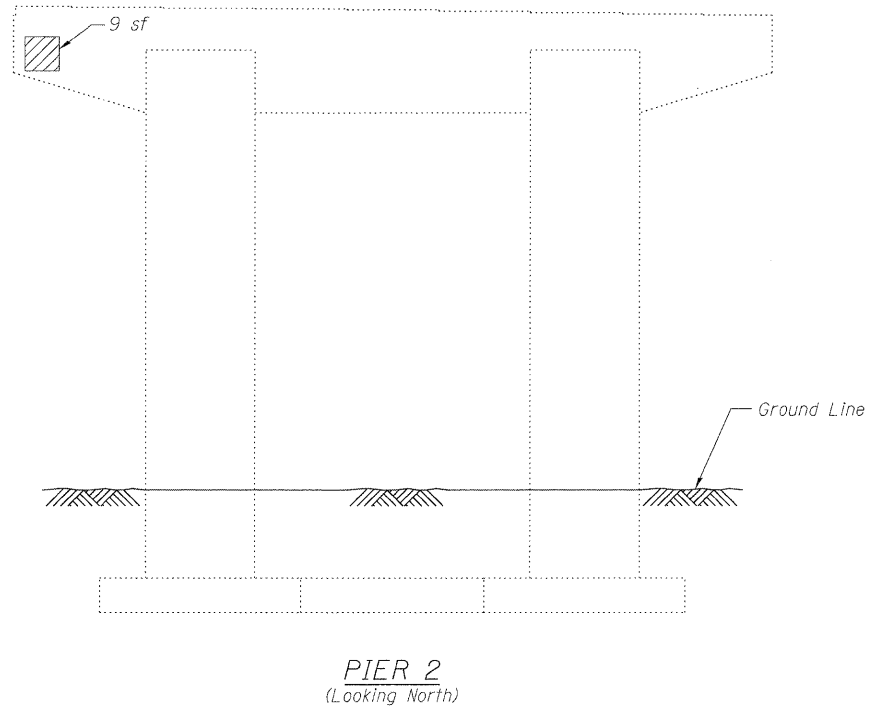
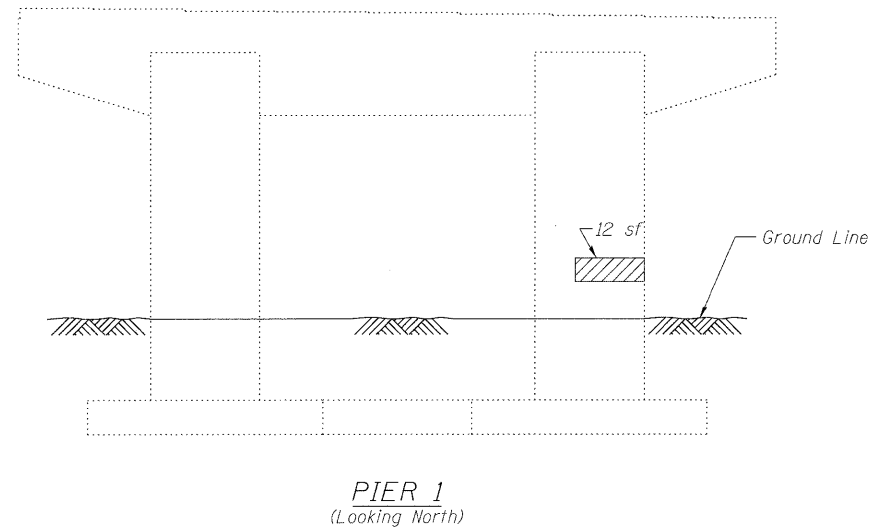


STATE OF ILLINOIS
DEPARTMENT OF TRANSPORTATION



BILL OF MATERIAL

Item	Unit	Total
Structure Repair of Concrete (Depth equal to or less than 5")	Sq. Ft.	85

Repair of the existing piers shall include but may not be limited to the areas shown. The actual areas to be repaired will be determined by the Engineer at the time of construction.

LEGEND

Structure Repair of Concrete
(Depth equal to or less than 5")
sf Square Feet

**PIER REPAIR
STRUCTURE NO. 016-0374**

 LIN ENGINEERING, LTD. Consulting Engineers Chatham, Illinois	SHEET NO. 10	F.A.I. RTE.	SECTION	COUNTY	TOTAL SHEETS	SHEET NO.
	12 SHEETS	290	(531-3.1,0305-302K)RS-5	COOK	314	193
Designed By: RH Date: 12/2009		Checked By: MTH File: 016-0374.dgn		CONTRACT NO. 60138		FED. ROAD DIST. NO. - ILLINOIS FED. AID PROJECT