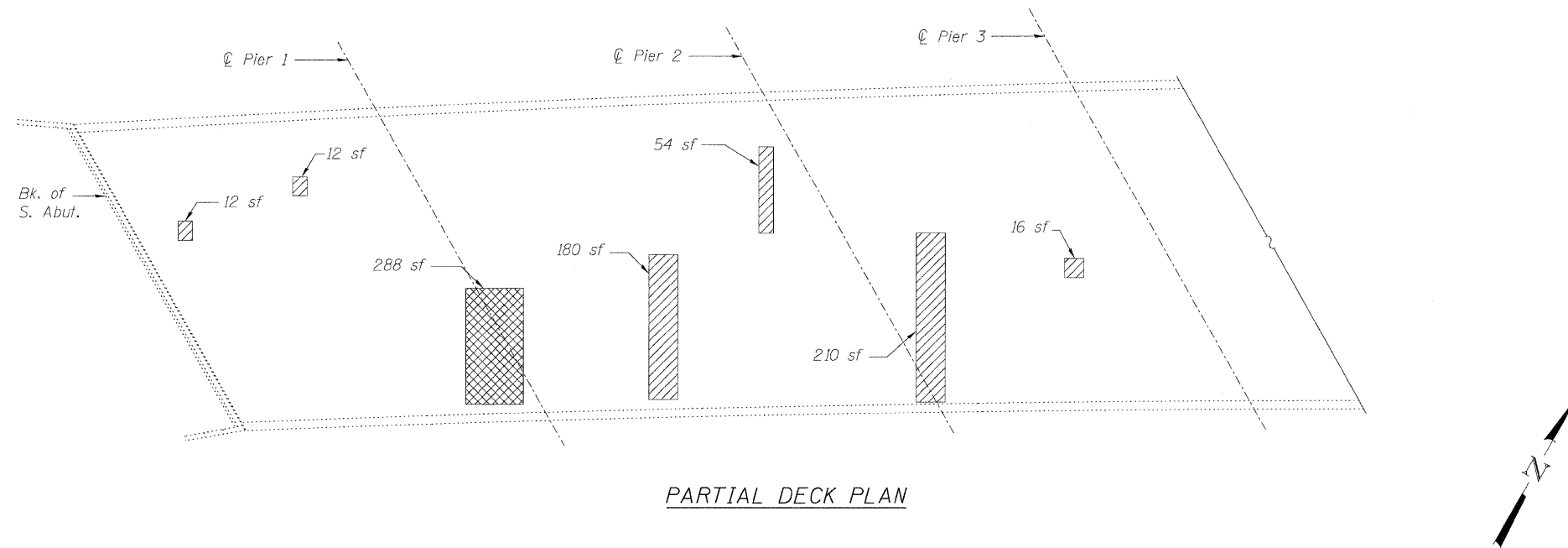
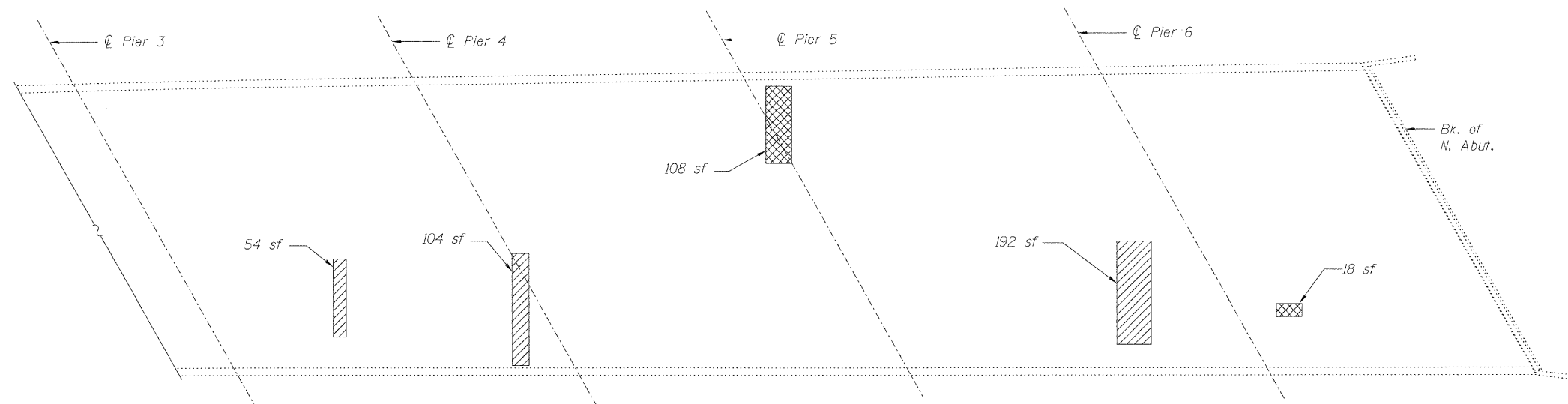


STATE OF ILLINOIS  
DEPARTMENT OF TRANSPORTATION



PARTIAL DECK PLAN



PARTIAL DECK PLAN

BILL OF MATERIAL

Item	Unit	Total
Deck Slab Repair (Partial)	Sq. Yd.	106.6
Deck Slab Repair (Full Depth, Type II)	Sq. Yd.	52.9
Protective Shield	Sq. Yd.	1669

Repair of the existing deck slab shall include but may not be limited to the areas shown. The actual areas to be repaired will be determined by the Engineer at the time of construction.


LEGEND

 Deck Slab Repair (Full Depth, Type II)

 Deck Slab Repair (Partial)

sf Square Feet

DECK SLAB REPAIR  
STRUCTURE NO. 016-1119

 <b>LIN ENGINEERING, LTD.</b> Consulting Engineers Channah, Illinois	SHEET NO. 4  12 SHEETS	F.A.I. RTE.	SECTION	COUNTY	TOTAL SHEETS	SHEET NO.
		290	(531-3.1,0305-302K)RS-5	COOK	314	199
		CONTRACT NO. 60138				
		FED. ROAD DIST. NO. _ ILLINOIS FED. AID PROJECT				