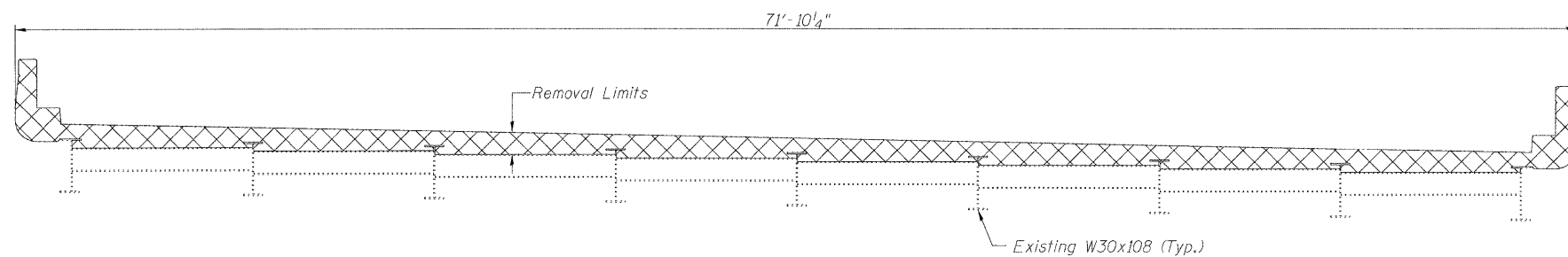
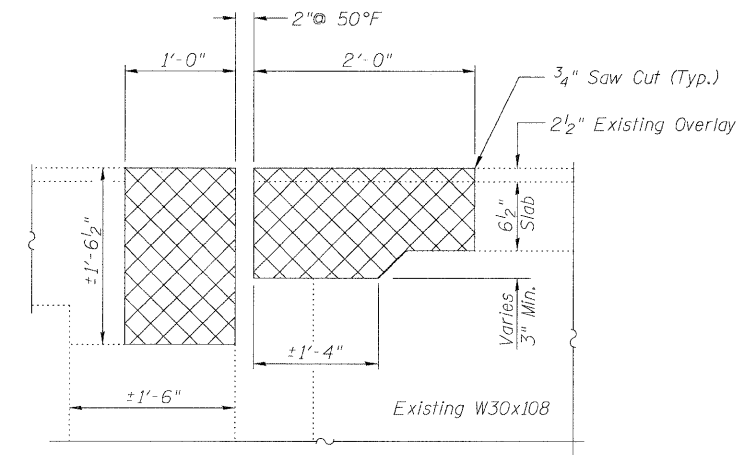


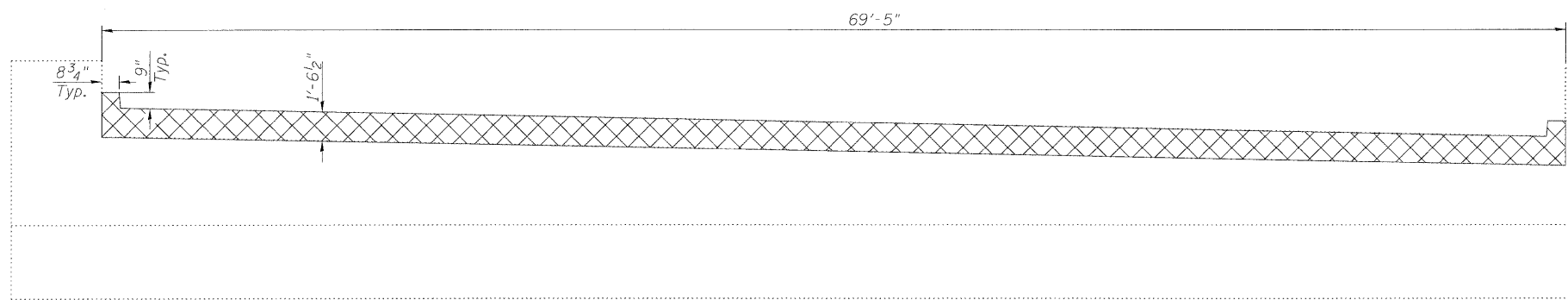
STATE OF ILLINOIS  
DEPARTMENT OF TRANSPORTATION



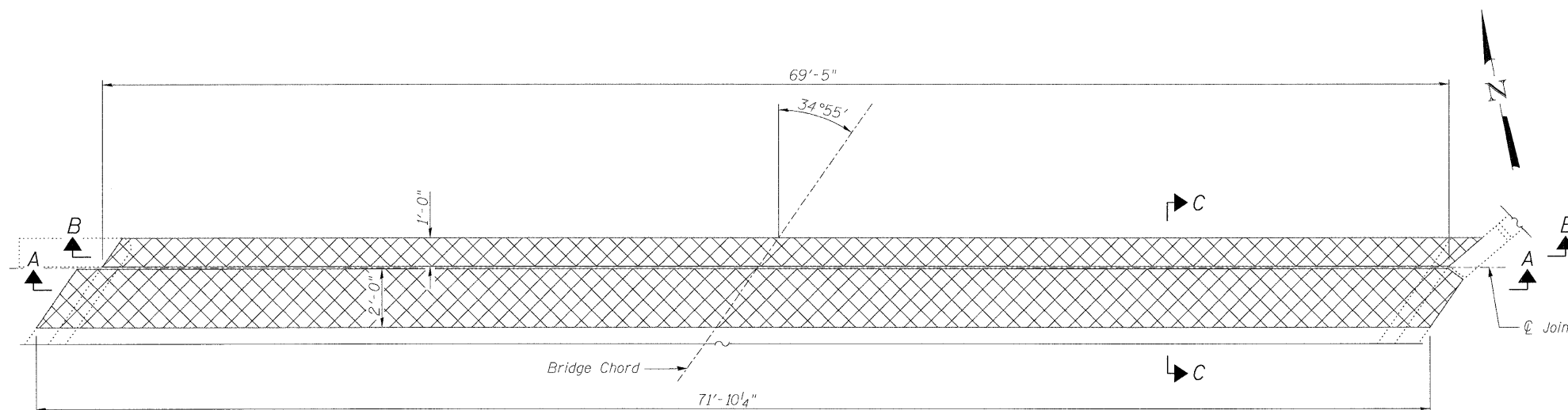
SECTION A-A



SECTION C-C  
(Dimensions at Rt. L's)



SECTION B-B



PLAN

(North abutment shown, south abutment mirrored about Bridge Chord)


Notes:

1. Cross hatched area indicates concrete removal.
2. Existing reinforcement bars in the concrete removal are extending in new construction shall be cleaned and incorporated into the new construction. Cost included in Concrete Removal.
3. Any reinforcement bars that are damaged during concrete removal operations shall be repaired or replaced using an approved bar splicer or anchorage system, in accordance with IDOT Standard Specifications Article 501.03. Cost included in Concrete Removal.
4. See Sheet 2 of 8 for Stage Construction Details.
5. Overlay removal is included in cost of Concrete Removal.

BILL OF MATERIAL

Item	Unit	Total
Concrete Removal	Cu. Yd.	19.8

CONCRETE REMOVAL  
STRUCTURE NO. 016-0375

 <b>LIN ENGINEERING, LTD.</b> Consulting Engineers Chatham, Illinois	SHEET NO. 4	F.A.I. RTE.	SECTION	COUNTY	TOTAL SHEETS	SHEET NO.	
	8 SHEETS	290	(531-3.1,0305-302K)RS-5	COOK	314	211	
Designed By: KHH    Checked By: MTH    Drawn By: KHH Date: 12/2009    File: 016-0375.dgn		FED. ROAD DIST. NO. _ ILLINOIS FED. AID PROJECT				CONTRACT NO. 60138	