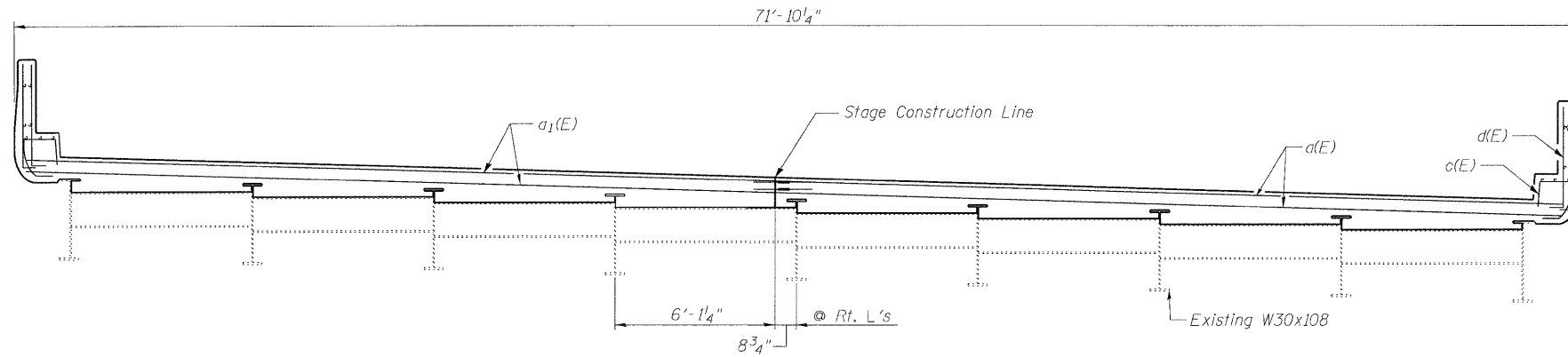
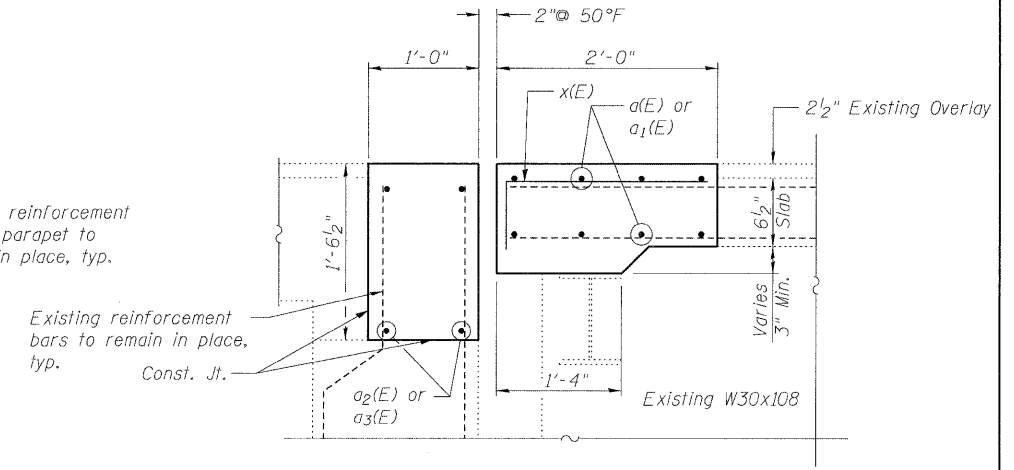


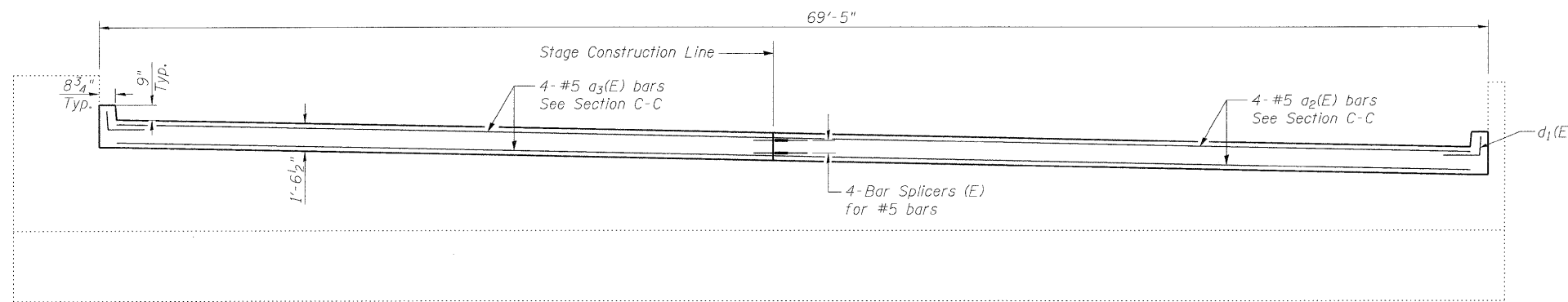
STATE OF ILLINOIS  
DEPARTMENT OF TRANSPORTATION



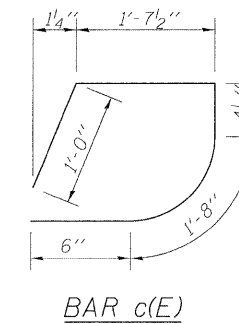
SECTION A-A



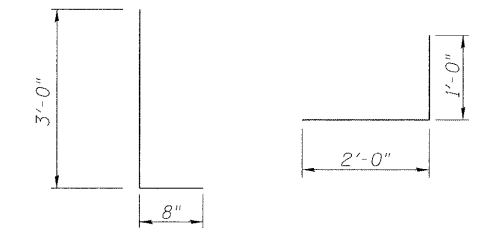
SECTION C-C  
(Dimensions at Rt. L's)



SECTION B-B

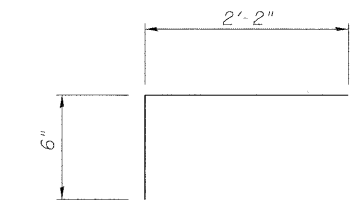


BAR c(E)



BAR d(E)

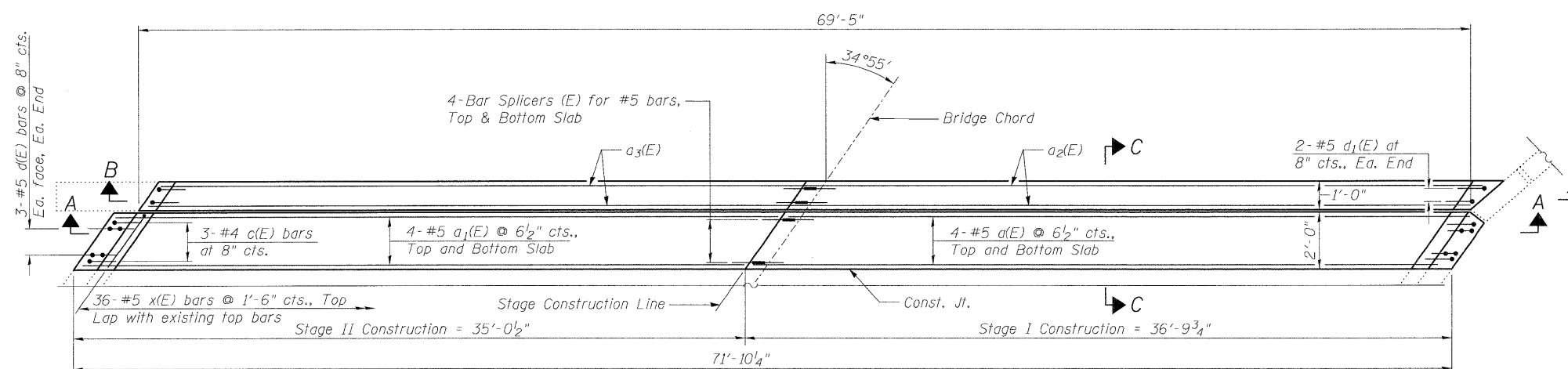
BAR d1(E)



BAR x(E)

BILL OF MATERIAL

Bar	No.	Size	Length	Shape
d(E)	16	#5	35'-11"	—
a1(E)	16	#5	34'-2"	—
a2(E)	8	#5	35'-4"	—
a3(E)	8	#5	33'-6"	—
c(E)	12	#4	5'-2"	D
d1(E)	8	#5	3'-0"	┘
x(E)	72	#5	2'-8"	┘
Concrete Superstructure			Cu. Yd.	19.8
Reinforcement Bars, Epoxy Coated			Pound	2090



PLAN

(North abutment shown, south abutment mirrored about Bridge Chord)

	SHEET NO. 5	F.A.I. RTE. 290	SECTION (531-3.1,0305-302K)RS-5	COUNTY COOK	TOTAL SHEETS 314	SHEET NO. 212
	8 SHEETS	CONTRACT NO. 60138		FED. ROAD DIST. NO. _ ILLINOIS FED. AID PROJECT		