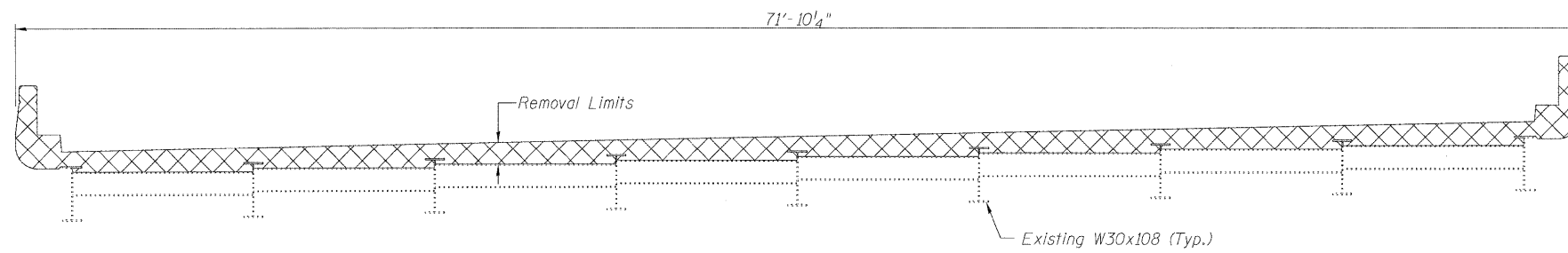
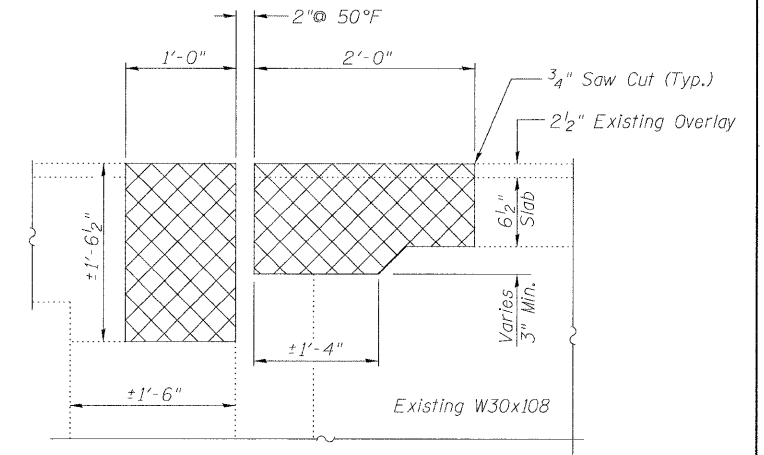


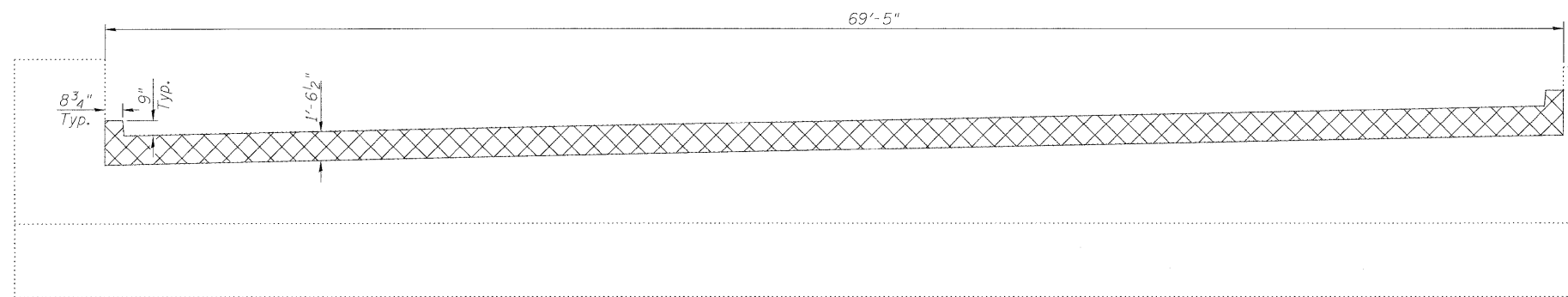
STATE OF ILLINOIS
DEPARTMENT OF TRANSPORTATION



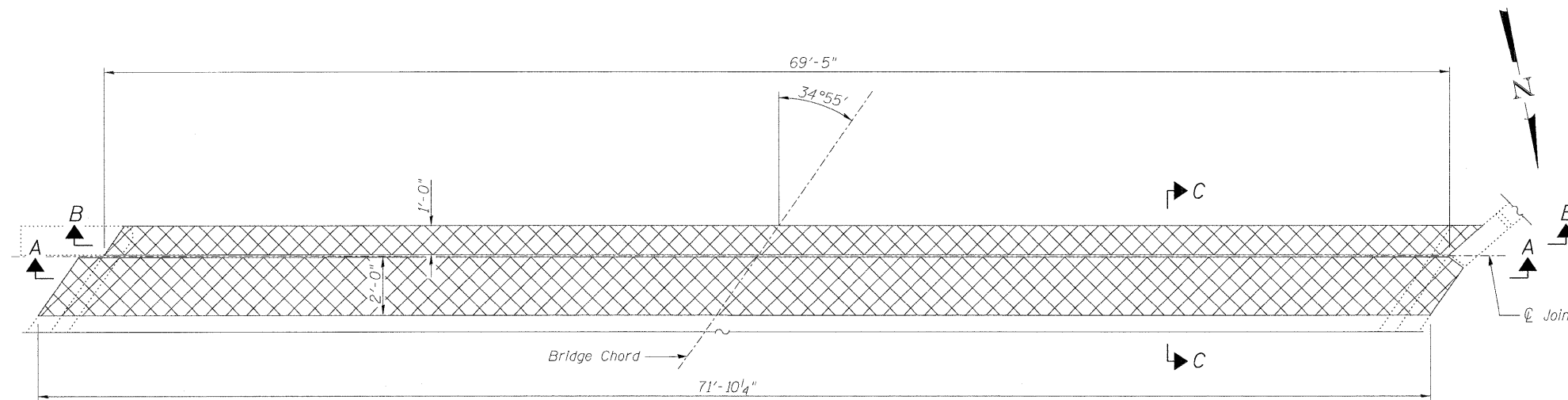
SECTION A-A



SECTION C-C
(Dimensions at Rt. L's)



SECTION B-B



PLAN

(South abutment shown, north abutment mirrored about Bridge Chord)

Notes:

1. Cross hatched area indicates concrete removal.
2. Existing reinforcement bars in the concrete removal are extending in new construction shall be cleaned and incorporated into the new construction. Cost included in Concrete Removal.
3. Any reinforcement bars that are damaged during concrete removal operations shall be repaired or replaced using an approved bar splicer or anchorage system, in accordance with IDOT Standard Specifications Article 501.03. Cost included in Concrete Removal.
4. See Sheet 2 of 8 for Stage Construction Details.
5. Overlay removal is included in cost of Concrete Removal.

BILL OF MATERIAL

Item	Unit	Total
Concrete Removal	Cu. Yd.	19.8

CONCRETE REMOVAL
STRUCTURE NO. 016-1120

<p>LIN ENGINEERING, LTD. Consulting Engineers Chatham, Illinois</p>	SHEET NO. 4	F.A.I. RTE. 290	SECTION (531-3.1,0305-302K)RS-5	COUNTY COOK	TOTAL SHEETS 314	SHEET NO. 219
	8 SHEETS	FED. ROAD DIST. NO. _ ILLINOIS		CONTRACT NO. 60138		

Designed By: K181
Date: 12/2002

Checked By: M111
File: 016-1120.dgn

Drawn By: K181

FED. AID PROJECT