

STATE OF ILLINOIS
DEPARTMENT OF TRANSPORTATION

GENERAL NOTES

Reinforcement bars shall conform to the requirements of ASTM A 706 Gr 60. See Special Provisions.

Reinforcement bars designated (E) shall be epoxy coated.

Prior to pouring the new concrete deck, all heavy or loose rust, loose mill scale, and other loose or potentially detrimental foreign material shall be removed from the surfaces in contact with concrete. Tightly adhered paint may remain unless otherwise noted. Removal shall be accomplished by methods that will not damage the steel and the cost will be included in the pay item covering removal of the existing concrete.

As directed by the Engineer, existing construction accessories welded to the top flange of beams and girders shall be removed. The weld areas shall be ground flush and inspected for cracks using magnetic particle testing (MT) or dye penetrant testing (PT) by qualified personnel approved by the Engineer. Any cracks that can not be removed by grinding 1/4 in. deep shall be identified and reported to the Bureau of Bridges and Structures for further disposition. The cost of removing welded accessories, grinding and inspecting weld areas and grinding cracks will be paid for according to Article 109.04 of the Standard Specifications.

Plan dimensions and details relative to existing plans are subject to nominal construction variations. The Contractor shall field verify existing dimensions and details affecting new construction and make necessary approved adjustments prior to construction or ordering of materials. Such variations shall not be cause for additional compensation for a change in scope of the work, however, the Contractor will be paid for the quantity actually furnished at the unit price bid for the work.

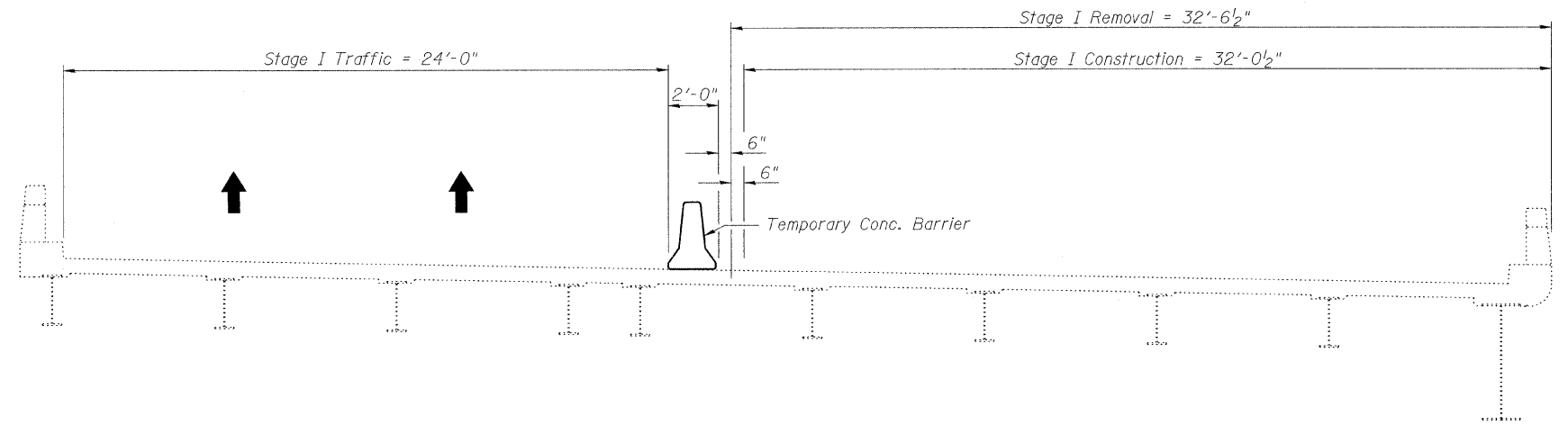
The existing structural steel coating contains lead. The Contractor shall take appropriate precautions to deal with the presence of lead on this project.

All structural steel shall conform to AASHTO Classification M-270 Gr. 36, unless otherwise noted.

Joint openings shall be adjusted according to Article 520.04 of the Std. Specs. when the deck is poured at an ambient temperature other than 50° F.

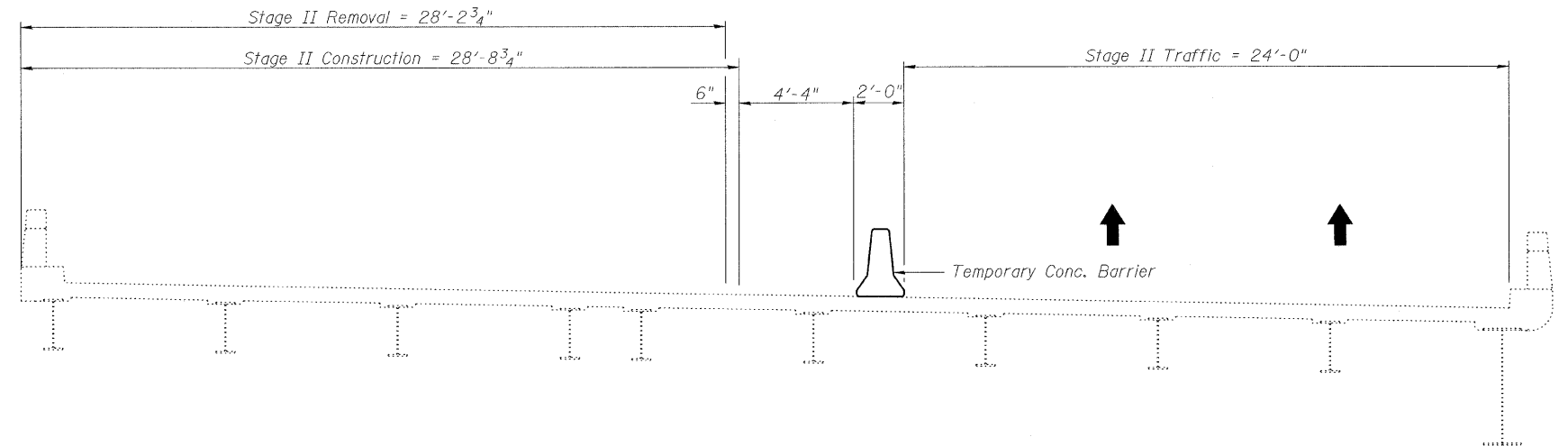
TOTAL BILL OF MATERIAL

ITEM	UNIT	SUPER	SUB	TOTAL
Concrete Removal	Cu. Yd.	24.9	-	24.9
Slope Wall Removal	Sq. Yd.	-	116	116
Protective Shield	Sq. Yd.	934	-	934
Concrete Superstructure	Cu. Yd.	24.9	-	24.9
Reinforcement Bars, Epoxy Coated	Pound	2,580	-	2,580
Bar Splicers	Each	24	-	24
Slope Wall 4 Inch	Sq. Yd.	-	116	116
Preformed Joint Strip Seal	Foot	158	-	158
Concrete Sealer	Sq. Ft.	13,240	-	13,240
Silicone Joint Sealer, 1"	Foot	158	-	158
Structural Repair of Concrete (Depth Equal To or Less Than 5 in.)	Sq. Ft.	12	24	36
Deck Slab Repair (Full Depth, Type I)	Sq. Yd.	1.0	-	1.0
Deck Slab Repair (Full Depth, Type II)	Sq. Yd.	66.7	-	66.7
Deck Slab Repair (Partial)	Sq. Yd.	35.9	-	35.9
Clean and Reseal Relief Joint	Foot	120	-	120
Cleaning and Painting Exposed Rebar	Sq. Ft.	1,102	-	1,102



STAGE I REMOVAL & CONSTRUCTION

(Looking North)



STAGE II REMOVAL & CONSTRUCTION

(Looking North)

GENERAL NOTES & DETAILS
STRUCTURE NO. 016-0376

<p>LIN ENGINEERING, LTD. Consulting Engineers Chatham, Illinois</p>	SHEET NO. 2 9 SHEETS	F.A.I. RTE.	SECTION	COUNTY	TOTAL SHEETS	SHEET NO.
		290	(531-3.1,0305-302)RS-5	COOK	314	225
Designed By: ESH Checked By: MTH Drawn By: ESH Date: 12/2009 File: 016-0376.dgn		CONTRACT NO. 60138 FED. ROAD DIST. NO. _ ILLINOIS FED. AID PROJECT				