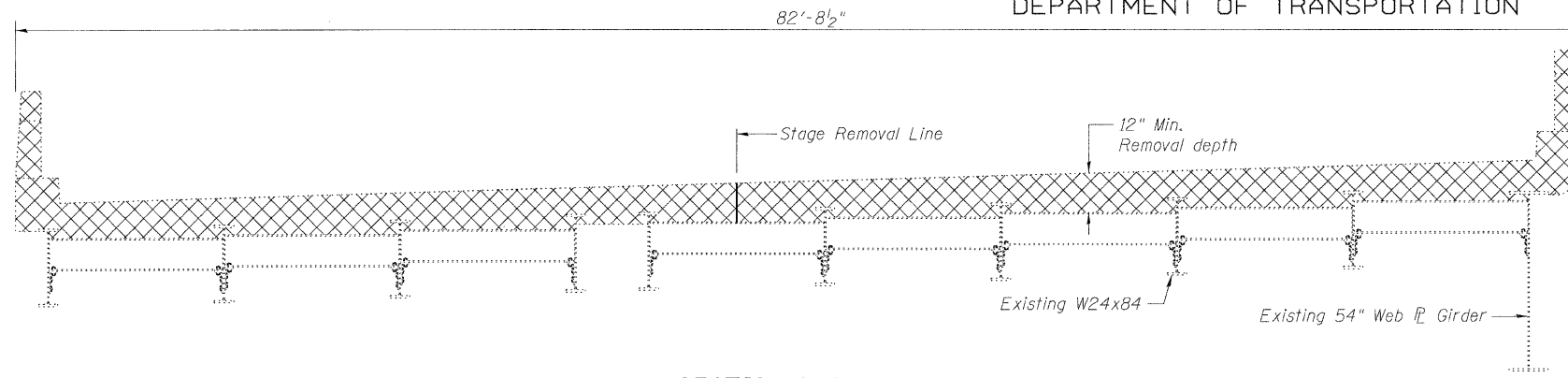
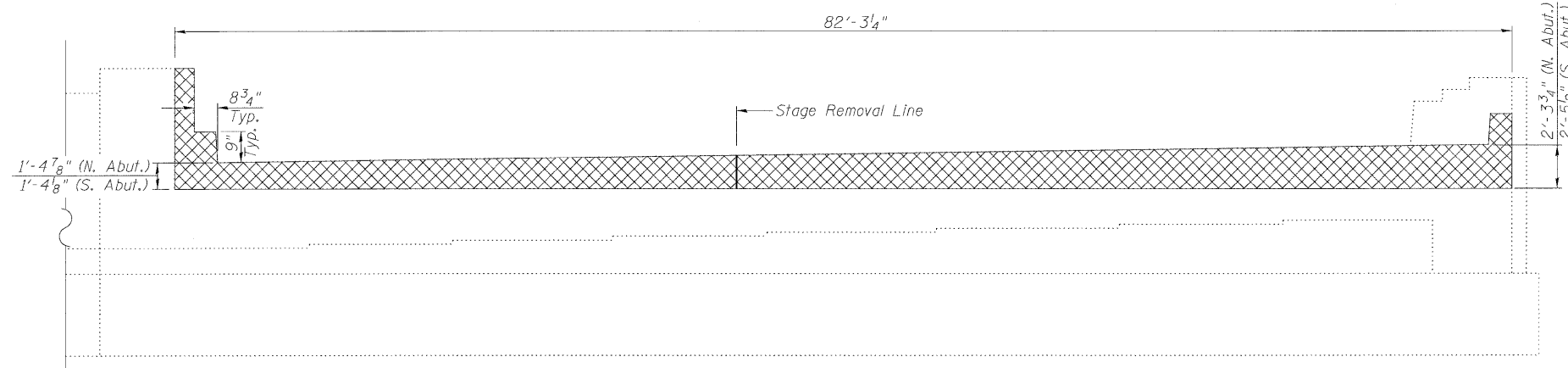


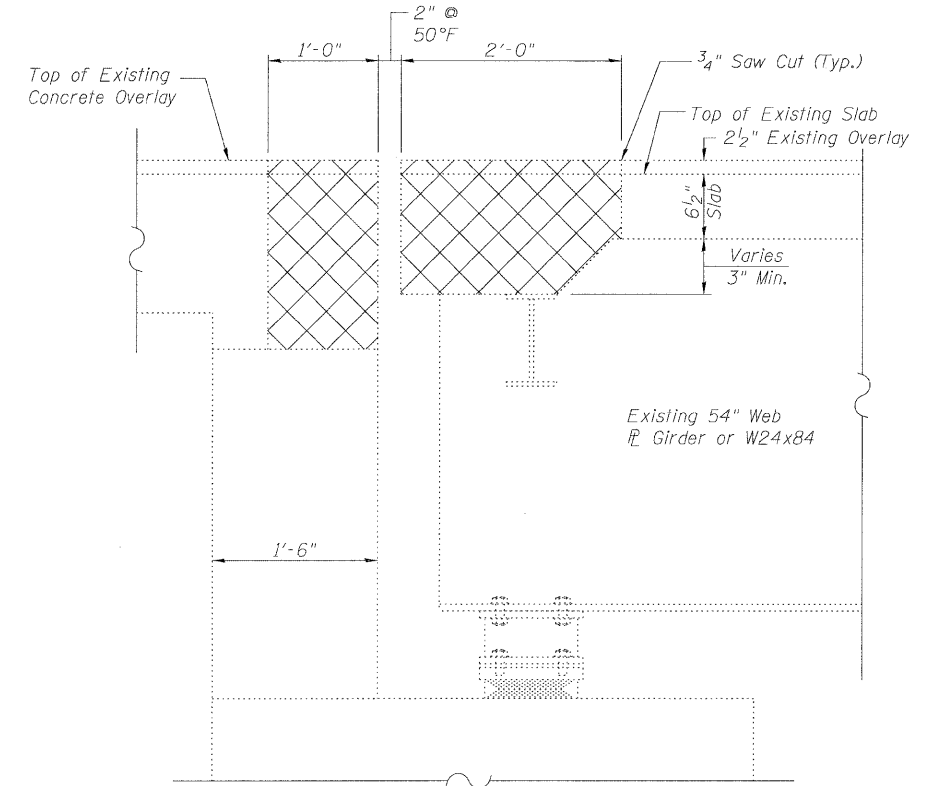
STATE OF ILLINOIS
DEPARTMENT OF TRANSPORTATION



SECTION A-A



SECTION B-B

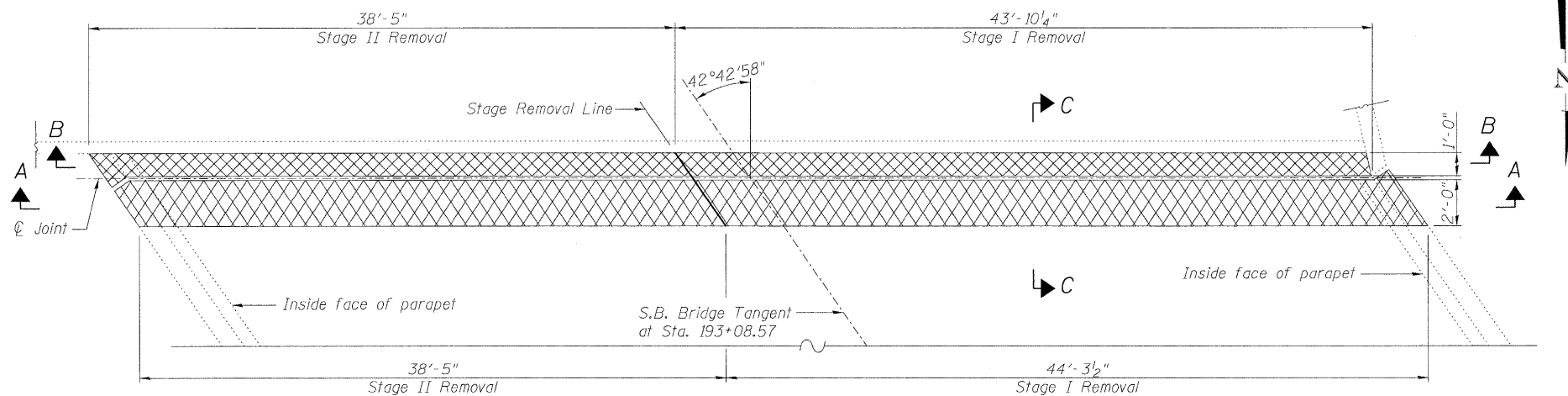


SECTION C-C

(Dimensions at Rt. L's)

Notes:

1. Cross hatched area indicates concrete removal.
2. Existing reinforcement bars in the concrete removal area extending in new construction shall be cleaned and incorporated into the new construction. Cost included with Concrete Removal.
3. Any reinforcement bars that are damaged during concrete removal operations shall be repaired or replaced using an approved bar splicer or anchorage system, in accordance with IDOT Standard Specifications Article 501.03. Cost included in "Concrete Removal"
4. Overlay removal is included in pay item Concrete Removal.



PLAN

(South abutment shown, north abutment mirrored about S.B. bridge tangent)

BILL OF MATERIAL

Item	Unit	Total
Concrete Removal	Cu. Yd.	24.9

CONCRETE REMOVAL
STRUCTURE NO. 016-1121

<p>LIN ENGINEERING, LTD. Consulting Engineers Chatham, Illinois</p>	SHEET NO. 5	F.A.I. RTE.	SECTION	COUNTY	TOTAL SHEETS	SHEET NO.	
	9 SHEETS	290	(531-3.1,0305-302K)RS-5	COOK	31	237	
<small>Designed By: ESH Checked By: MTH Drawn By: ESH Date: 12/2/09 File: 016-1121.dgn</small>		FED. ROAD DIST. NO. _ ILLINOIS FED. AID PROJECT				CONTRACT NO. 60I38	