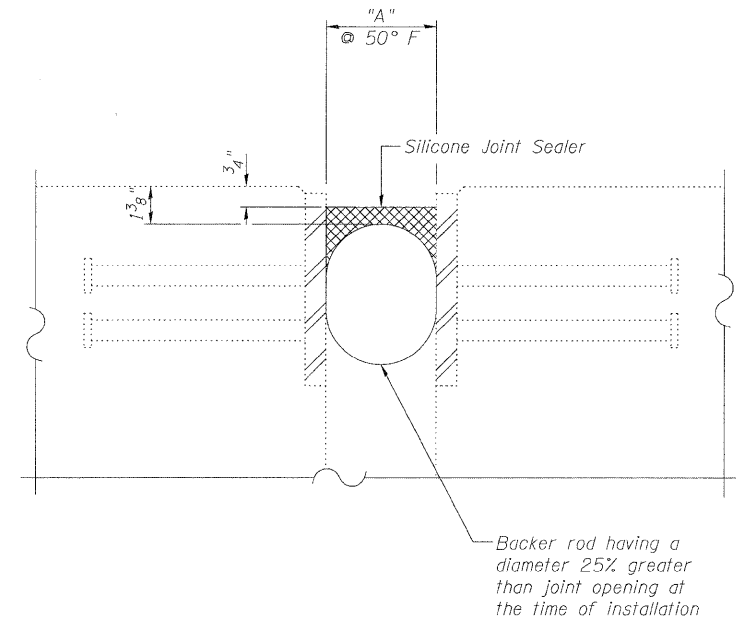
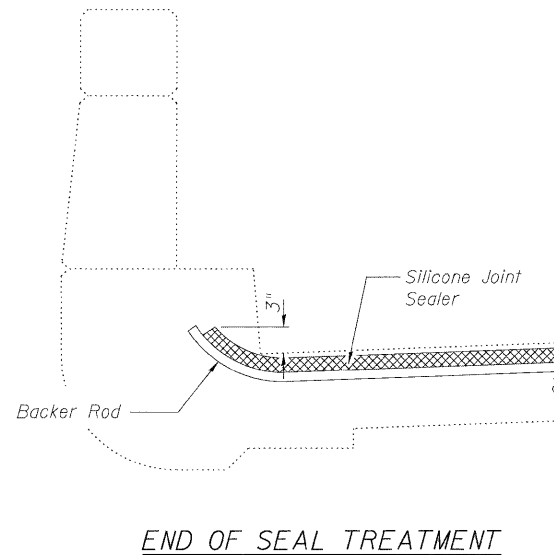
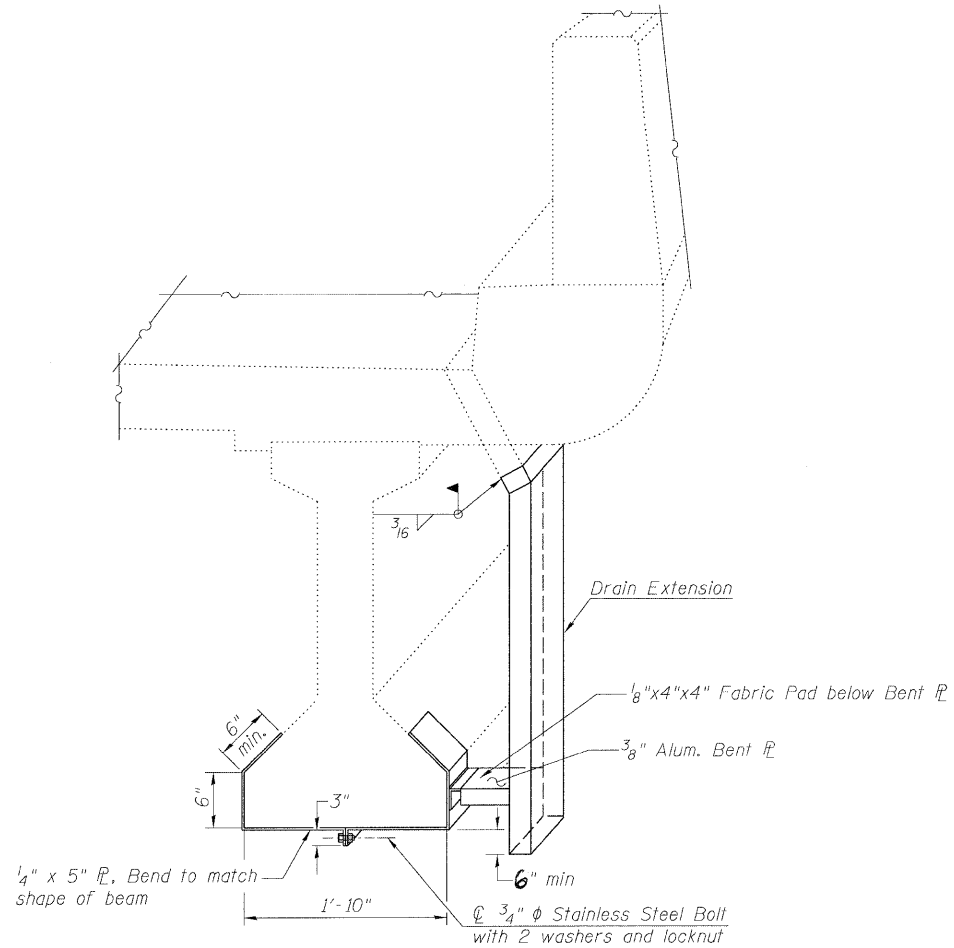


STATE OF ILLINOIS
DEPARTMENT OF TRANSPORTATION

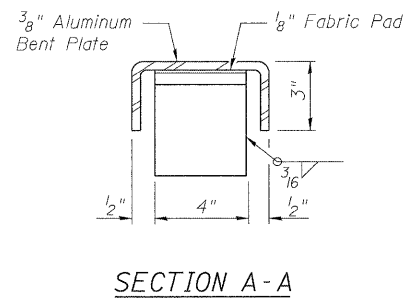
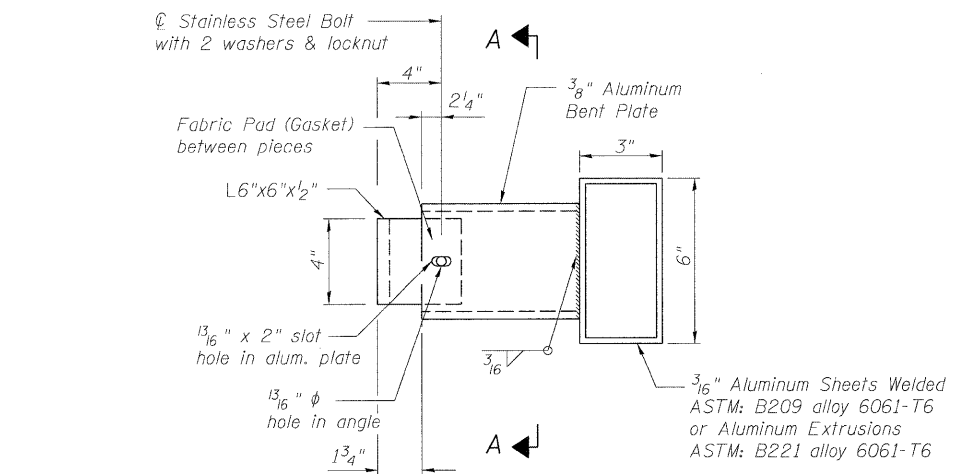


SILICONE JOINT SEALER DETAIL

Location	"A"	Length (ft.)
North Abutment	1 3/4"	209
South Abutment	1"	209

Note:

Cost of existing P.J.S. removal is included in the cost of Silicone Joint Sealer.



SECTION A-A

- Notes:
- All plates, angles, nuts, and washers, unless otherwise shown, shall be galvanized according to AASHTO M111 or M232 as applicable.

DRAIN EXTENSION DETAILS
(18 required)

BILL OF MATERIAL

Item	Unit	Total
Floor Drain Extension	Each	18

JOINT AND DECK DRAIN DETAILS
STRUCTURE NO. 016-0377

<p>LIN ENGINEERING, LTD. Consulting Engineers Chatham, Illinois</p>	SHEET NO. 4 4 SHEETS	F.A.I. RTE.	SECTION	COUNTY	TOTAL SHEETS	SHEET NO.
		290	(531-3.1,0305-302K)RS-5	COOK	314	245
		CONTRACT NO. 60138				
		FED. ROAD DIST. NO. _ ILLINOIS FED. AID PROJECT				

Designed By: ADB
Checked By: MTN
Date: 12/2025

Drawn By: ADB
File: 016-0377.dgn