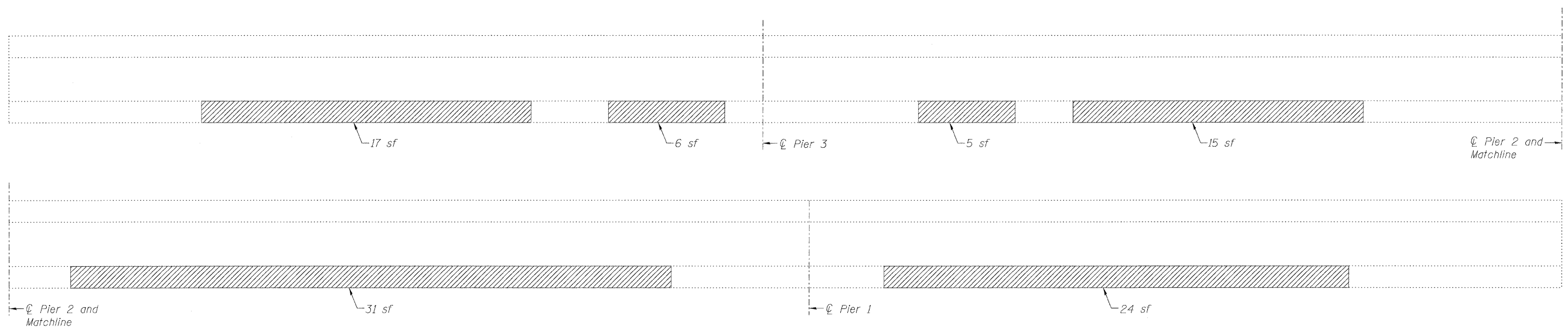


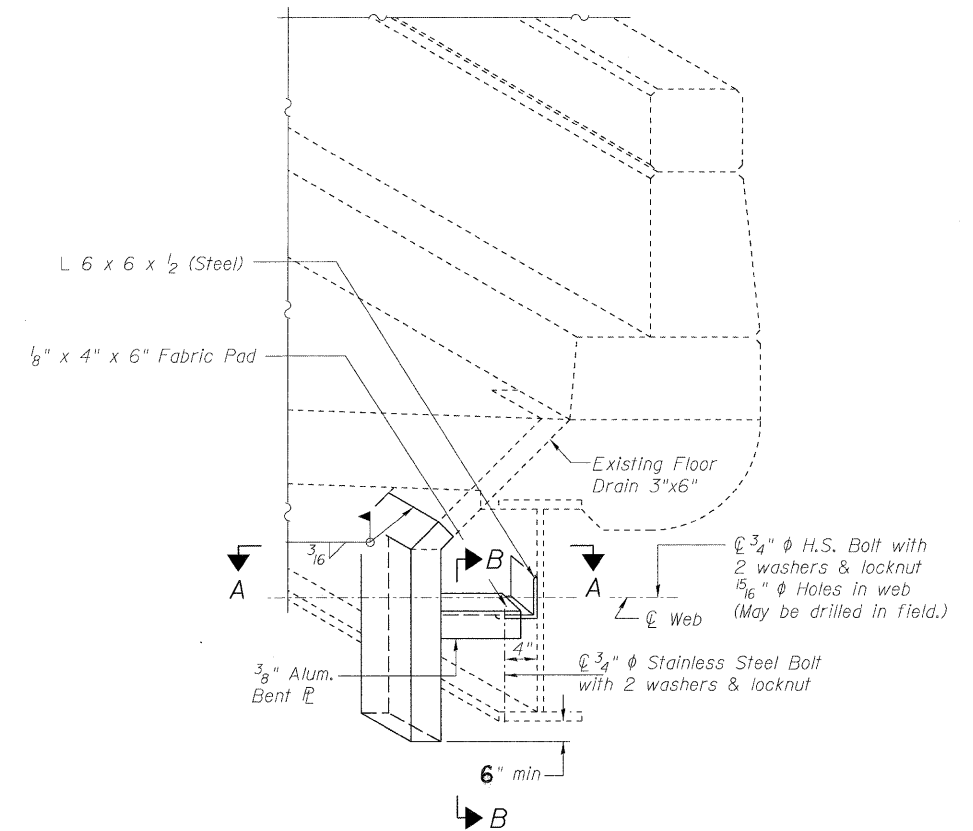
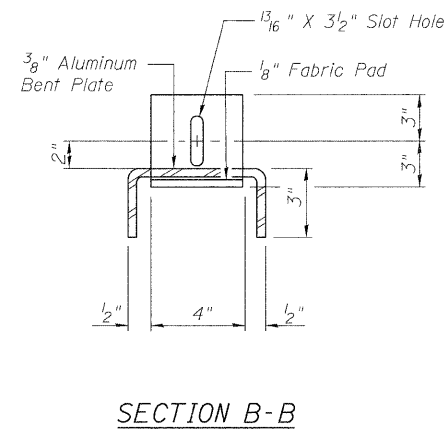
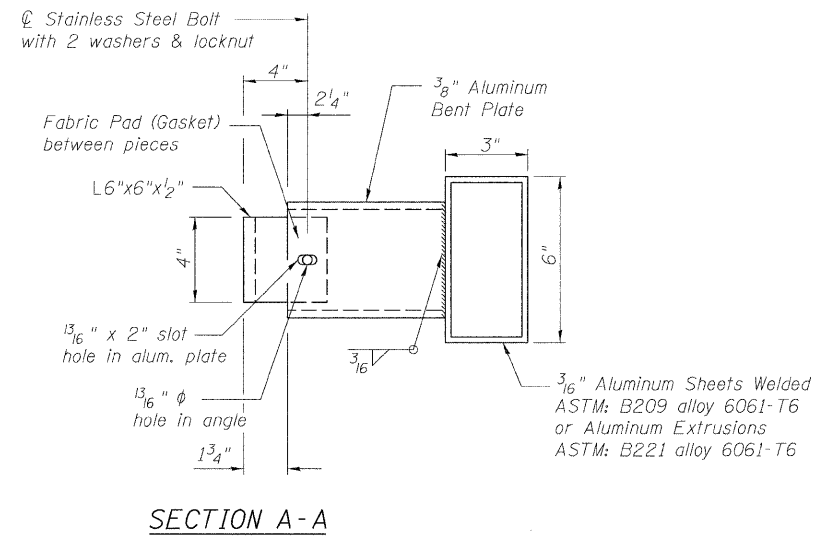
STATE OF ILLINOIS
DEPARTMENT OF TRANSPORTATION



EAST PARAPET
(Inside Face Looking East)

LEGEND

- Structural Repair of Concrete (Depth equal to or less than 5")
- sf Square Feet



- Notes:
- All plates, angles, nuts, and washers, unless otherwise shown, shall be galvanized according to AASHTO M111 or M232 as applicable.

DRAIN EXTENSION DETAILS
(24 required)

**PARAPET REPAIR AND
FLOOR DRAIN EXTENSION DETAILS**
STRUCTURE NO. 016-0378

BILL OF MATERIAL

Item	Unit	Total
Floor Drain Extension	Each	24
Structural Repair of Concrete (Depth equal to or less than 5 in.)	Sq. Ft.	113

LIN ENGINEERING, LTD. Consulting Engineers Chatham, Illinois	SHEET NO. 5	F.A.I. RTE. 290	SECTION (531-3.1,0305-302K)RS-5	COUNTY COOK	TOTAL SHEETS 314	SHEET NO. 250
	6 SHEETS	FED. ROAD DIST. NO. _ ILLINOIS		CONTRACT NO. 60138		
Designed By: KHH Checked By: MTH Date: 12/2009	Drawn By: KHH File: 016-0378.dgn	FED. AID PROJECT				