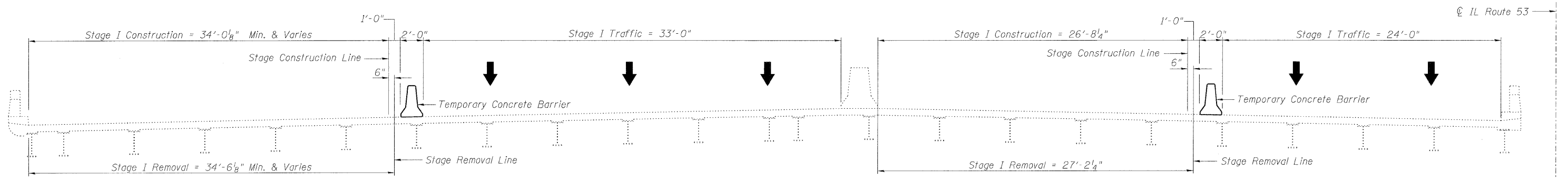
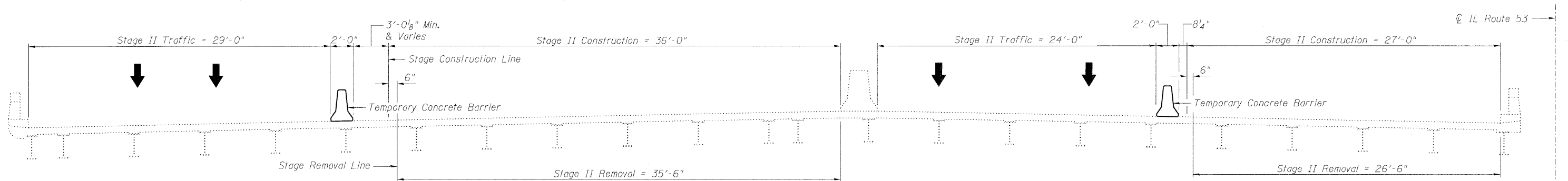


STATE OF ILLINOIS  
DEPARTMENT OF TRANSPORTATION




**STAGE I REMOVAL & CONSTRUCTION**  
(Looking North)



**STAGE II REMOVAL & CONSTRUCTION**  
(Looking North)

**STAGE CONSTRUCTION DETAILS**  
**STRUCTURE NO. 016-2133**

 <b>LIN ENGINEERING, LTD.</b> Consulting Engineers Chatham, Illinois	SHEET NO. 2	F.A.I. RTE.	SECTION	COUNTY	TOTAL SHEETS	SHEET NO.
	8 SHEETS	290	(531-3.1,0305-302K)RS-5	COOK	314	253
Designed By: K181 Date: 12/2009		Checked By: W111 File: 016-2133.dgn		Drawn By: K181		CONTRACT NO. 60138
FED. ROAD DIST. NO. _ ILLINOIS FED. AID PROJECT						