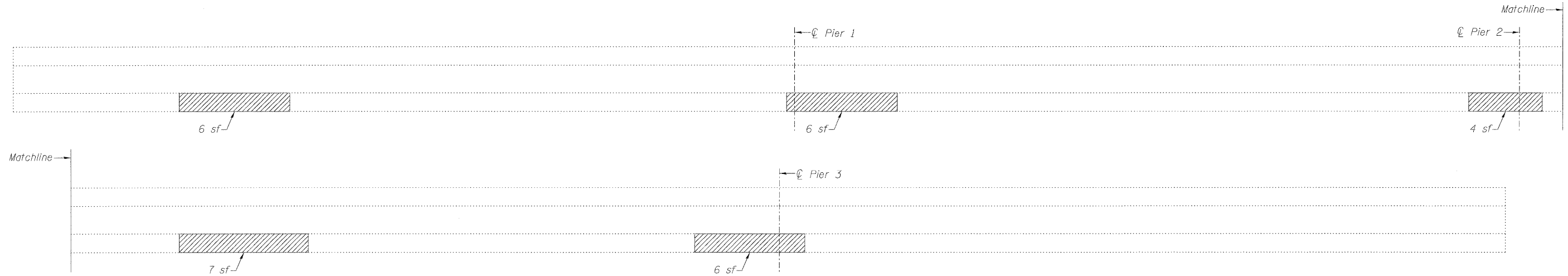


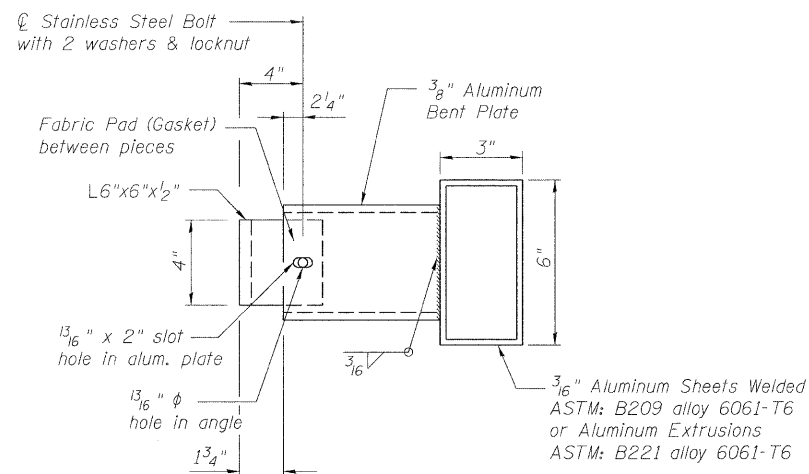
STATE OF ILLINOIS
DEPARTMENT OF TRANSPORTATION



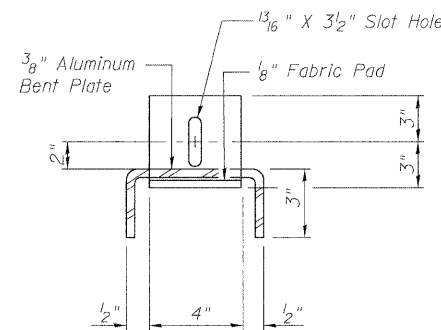
WEST PARAPET
(Inside Face Looking West)

LEGEND

- Structural Repair of Concrete (Depth equal to or less than 5")
- sf Square Feet



SECTION A-A



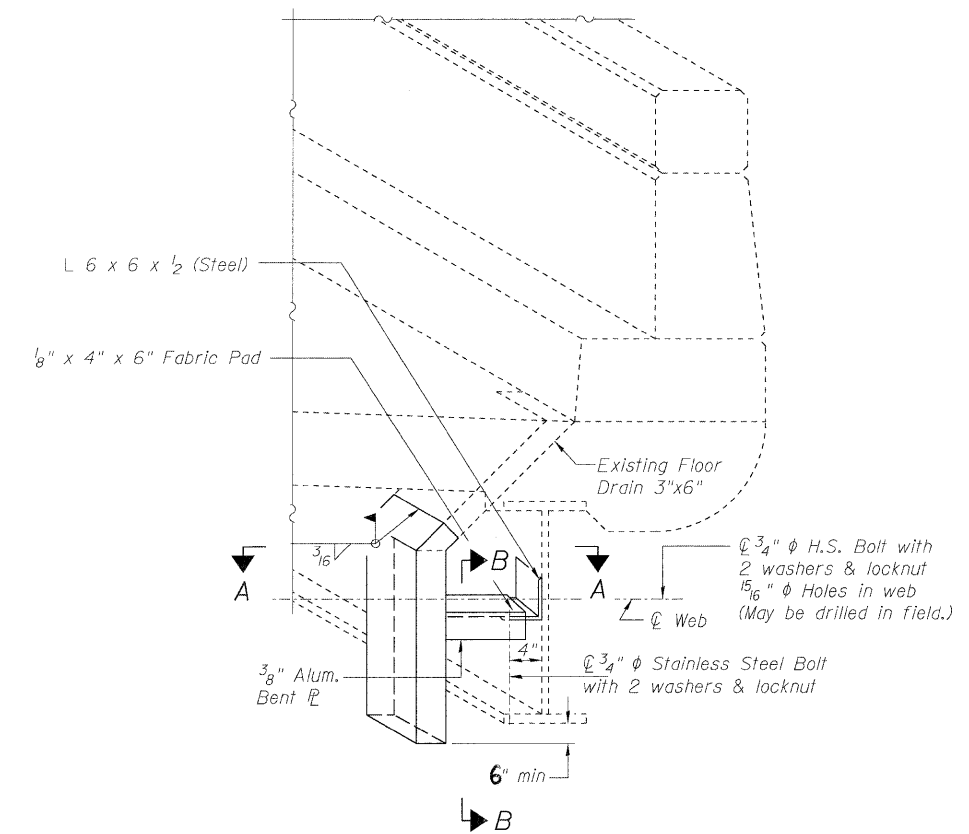
SECTION B-B

Notes:

1. All plates, angles, nuts, and washers, unless otherwise shown, shall be galvanized according to AASHTO M111 or M232 as applicable.

DRAIN EXTENSION DETAILS

(24 required)



DRAIN EXTENSION

(24 Required)

**PARAPET REPAIR AND
FLOOR DRAIN EXTENSION DETAILS**
STRUCTURE NO. 016-2133

BILL OF MATERIAL

Item	Unit	Total
Floor Drain Extension	Each	24
Structural Repair of Concrete (Depth less than or equal to 5 in.)	Sq. Ft.	33

LIN ENGINEERING, LTD. Consulting Engineers Chatham, Illinois	SHEET NO. 5	F.A.I. RTE. 290	SECTION (531-3.1,0305-302K)RS-5	COUNTY COOK	TOTAL SHEETS 314	SHEET NO. 254
	8 SHEETS	FED. ROAD DIST. NO. _ ILLINOIS		FED. AID PROJECT		