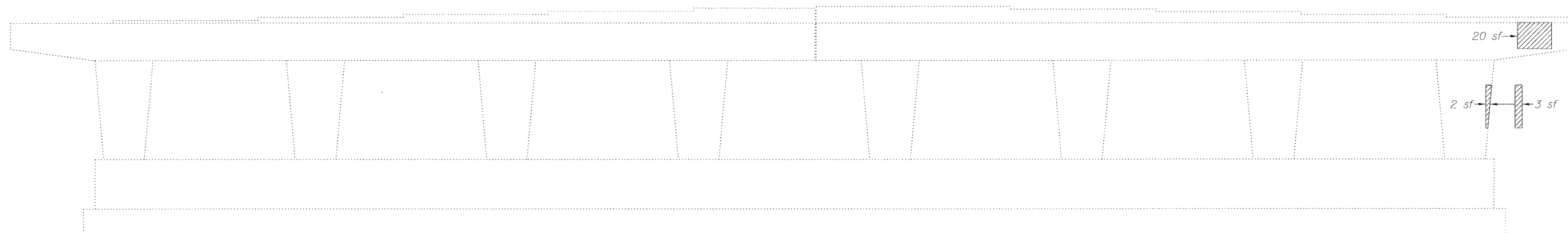
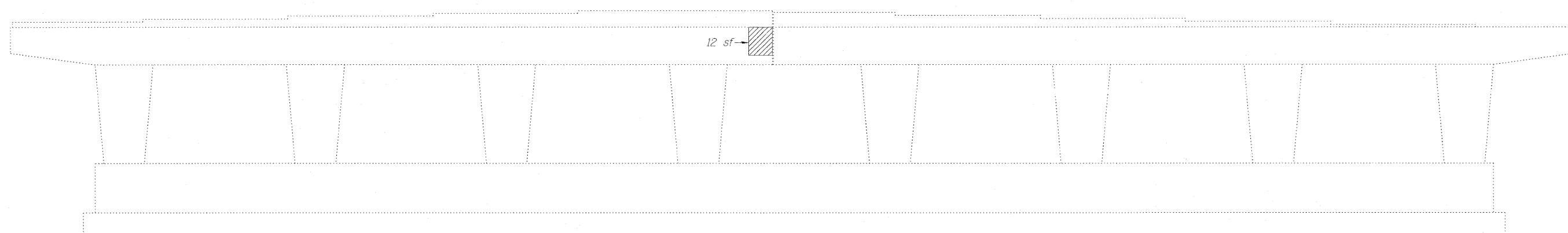


STATE OF ILLINOIS
DEPARTMENT OF TRANSPORTATION



PIER 3
(Looking South)



PIER 3
(Looking North)

Note:
Repair of the existing pier shall include but may not be limited to the areas shown. The actual areas to be repaired will be determined by the Engineer at the time of construction.

BILL OF MATERIAL

Item	Unit	Total
Structural Repair of Concrete (Depth equal to or less than 5 in.)	Sq. Ft.	42

LEGEND

- Structural Repair of Concrete (Depth equal to or less than 5")
- sf Square Feet

PIER 3 REPAIR
STRUCTURE NO. 016-2133

 LIN ENGINEERING, LTD. Consulting Engineers Chatham, Illinois	SHEET NO. 8		F.A.I. RTE.	SECTION	COUNTY	TOTAL SHEETS	SHEET NO.
	8 SHEETS		290	(531-3.1,0305-302K)RS-5	COOK	314	259
<small>Designed By: K191 Checked By: WTH Drawn By: K191</small> <small>Date: 12/2/09 File: 016-2133.dgn</small>		FED. ROAD DIST. NO. _ ILLINOIS FED. AID PROJECT CONTRACT NO. 60138					