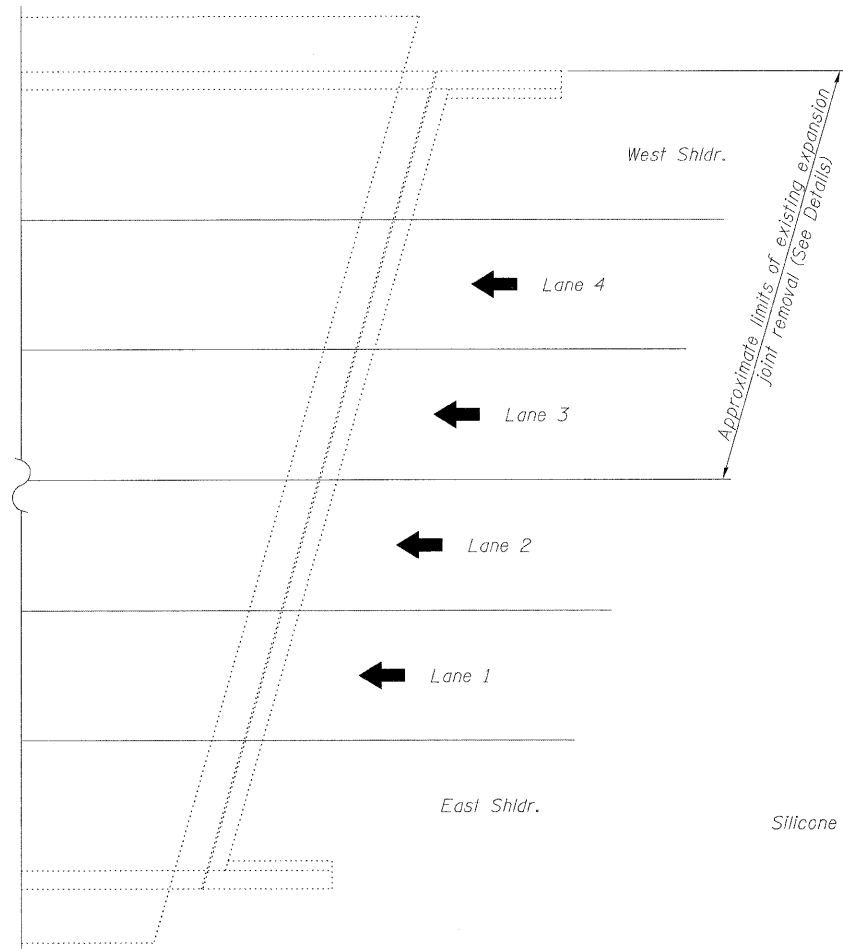
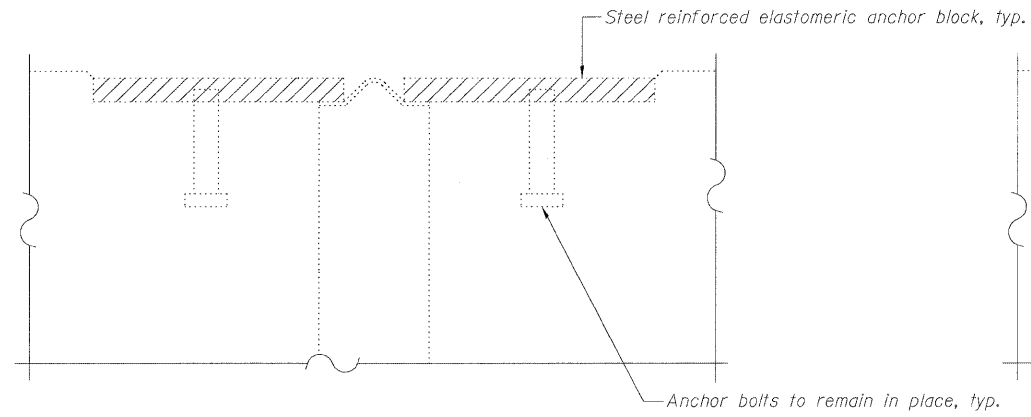


STATE OF ILLINOIS  
DEPARTMENT OF TRANSPORTATION

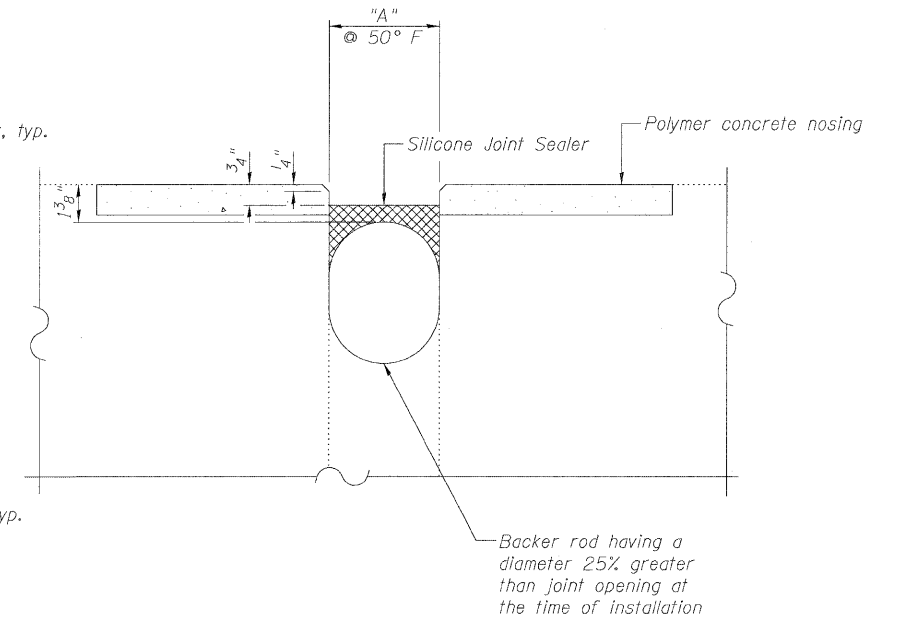


NORTH ABUTMENT PLAN



EXISTING JOINT

Hatched areas to be removed (See Plan).



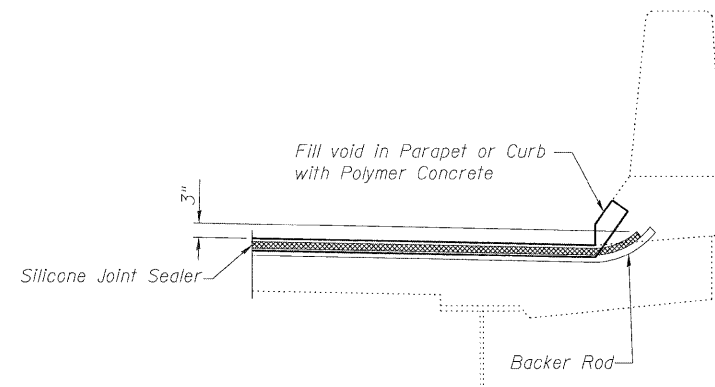
SILICONE JOINT SEALER DETAIL

(Horizontal dimensions at right angles)

Location	"A"	Length (ft.)
North Abutment	2 1/2"	40

Notes:

Cost of existing joint removal is included in the cost of Silicone Joint Sealer.



TYPICAL END OF SEAL TREATMENT

REPAIR DETAILS  
STRUCTURE NO. 016-0982

<p>LIN ENGINEERING, LTD. Consulting Engineers Chatham, Illinois</p>	SHEET NO. 2	F.A.I. RTE.	SECTION	COUNTY	TOTAL SHEETS	SHEET NO.
	2 SHEETS	290	(531-3.1,0305-302K)RS-5	COOK	314	262
		CONTRACT NO. 60138				
		FED. ROAD DIST. NO. _ ILLINOIS FED. AID PROJECT				

Designed By: ADB  
Date: 12/2009

Checked By: MTH  
File: 016-0982.dgn

Drawn By: ADB