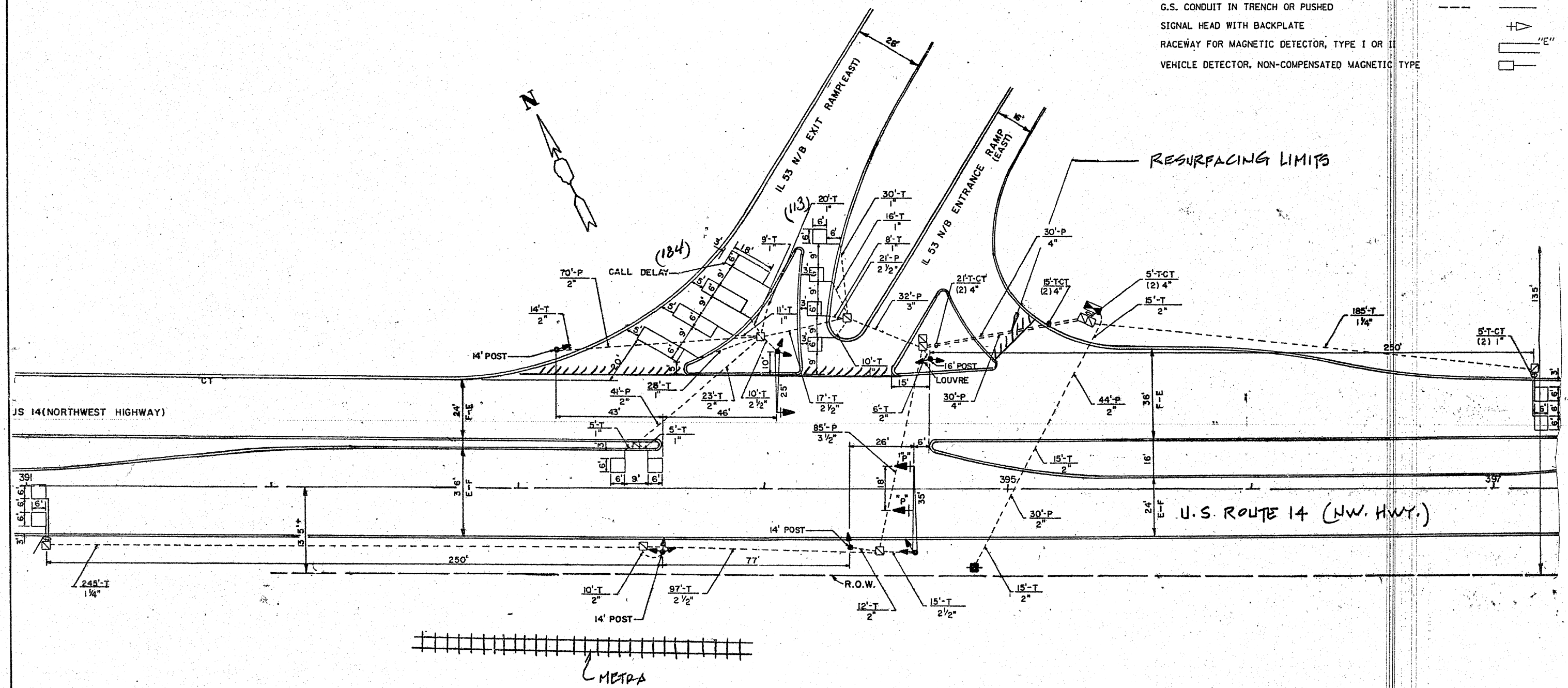


TRAFFIC SIGNAL LEGEND

PROPOSED	EXISTING



THIS PLAN IS FOR THE SOLE PURPOSE OF DETECTOR LOOP REPLACEMENTS ONLY

REPLACE ALL DETECTOR LOOPS AS SHOWN (WITHIN THE RESURFACING LIMITS)

CODE	QUANTITY	UNIT	ITEM
88600600	297	FOOT	DETECTOR LOOP, REPLACEMENT

FILE NAME =
c:\pwwork\VPW1001\KANTHAPHIXATBC\01126

USER NAME = kanthaphixatbc
1\traffic\legend.v7.dgn
PLOT SCALE = 3/8" = 1' IN.
PLOT DATE = 4/3/2009

DESIGNED - BCK	REVISED -
DRAWN - BCK	REVISED -
CHECKED - DAD	REVISED -
DATE -	REVISED -

**STATE OF ILLINOIS
DEPARTMENT OF TRANSPORTATION**

DISTRICT ONE - DETECTOR LOOP REPLACEMENT
ILL. ROUTE 53 (E. RAMP) @ U.S. RTE. 14

F.A.R. RTE. 290	SECTION 531-3.1	COUNTY 9303-302	TOTAL SHEETS 314	SHEET NO. 270
SCALE: NONE			CONTRACT NO.	
SHEET NO. OF SHEETS		FED. ROAD DIST. NO. [ILLINOIS] FED. AID PROJECT		