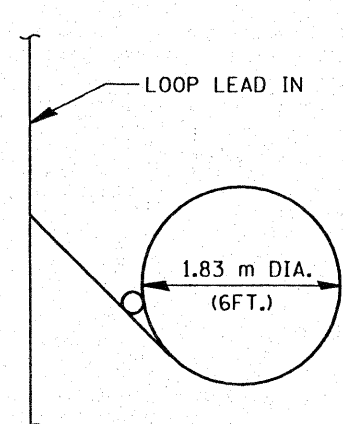
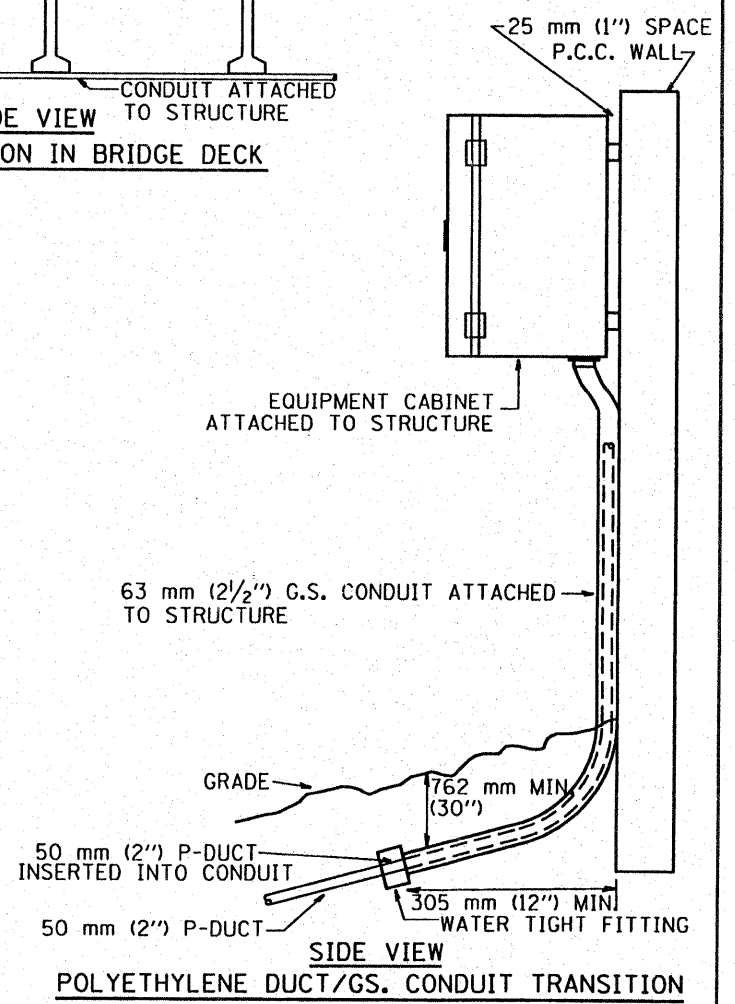
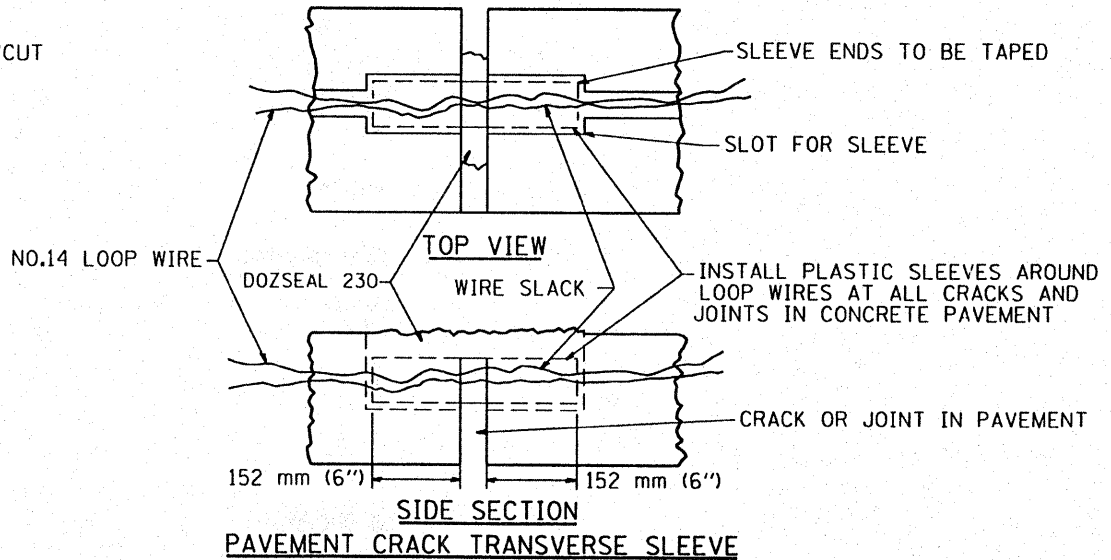
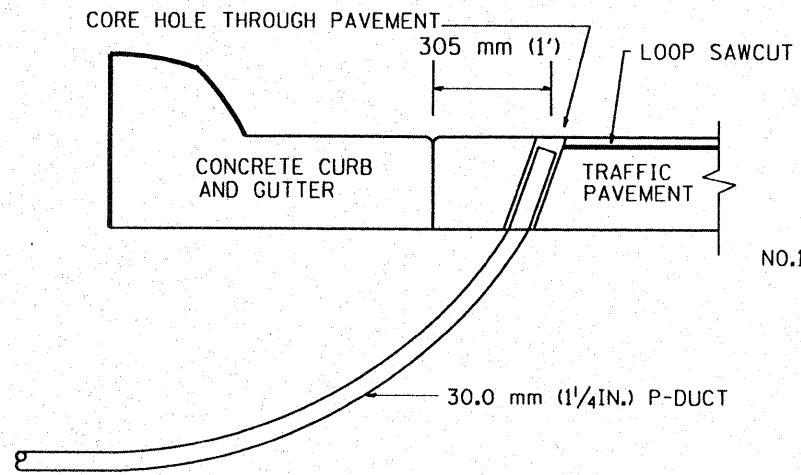
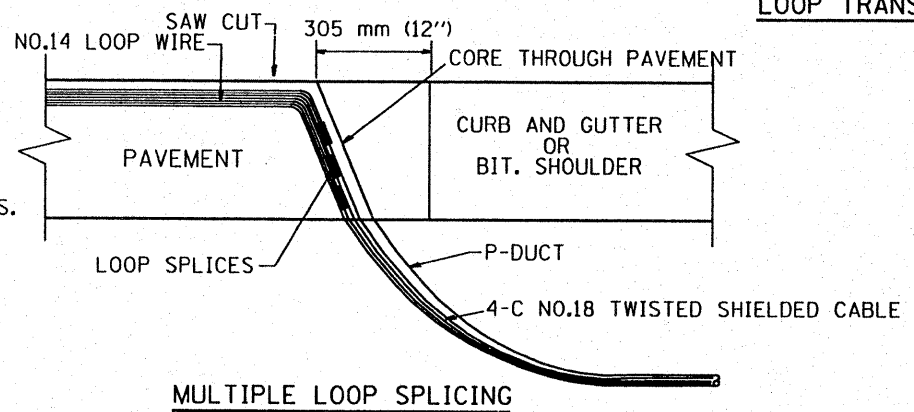
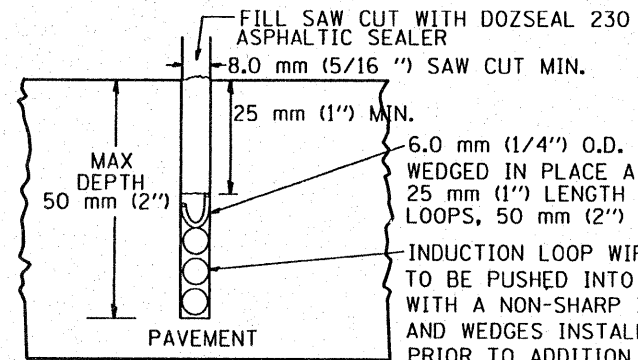
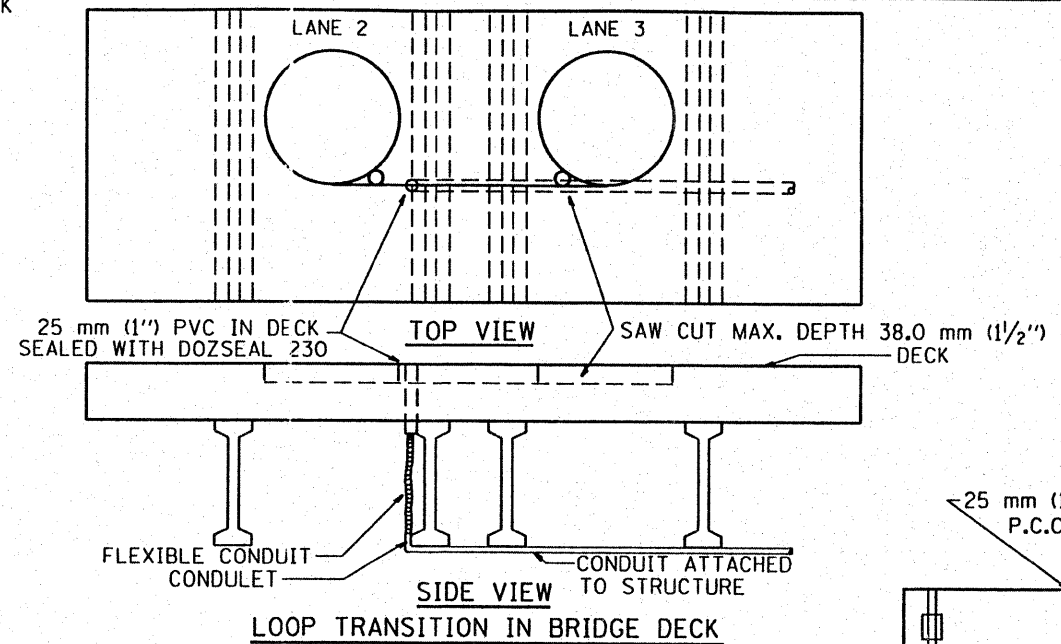
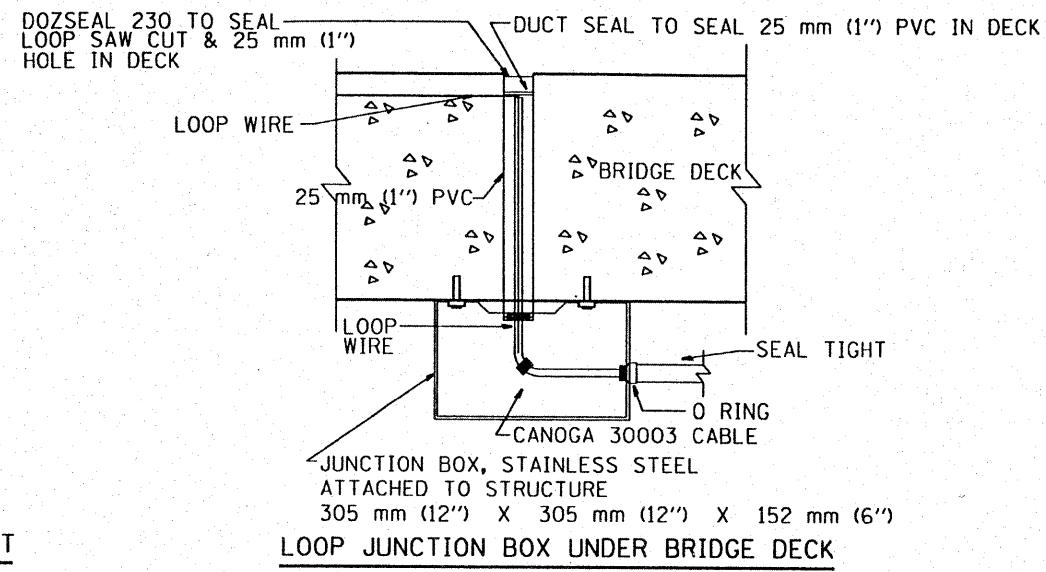


F.A. RTE.	SECTION	COUNTY	TOTAL SHEETS	SHEET NO.
220		COOK	214	292
STA.		TO STA.		
FED. ROAD DIST. NO. 1		ILLINOIS FED. AID PROJECT		



TYPICAL LOOP SAWCUT LAYOUT



REVISIONS		ILLINOIS DEPARTMENT OF TRANSPORTATION TRAFFIC SYSTEMS CENTER
NAME	DATE	
R.L.	6/94	LOOP, CONDUIT & DUCT INSTALLATION DETAILS SCALE: VERT. NONE HORIZ. DATE 6-22-94 DRAWN BY G.M. CHECKED BY R.L.
R.L.	3/95	
T.C.	11/95	
R.L.	05/96	
T.C.	10/96	