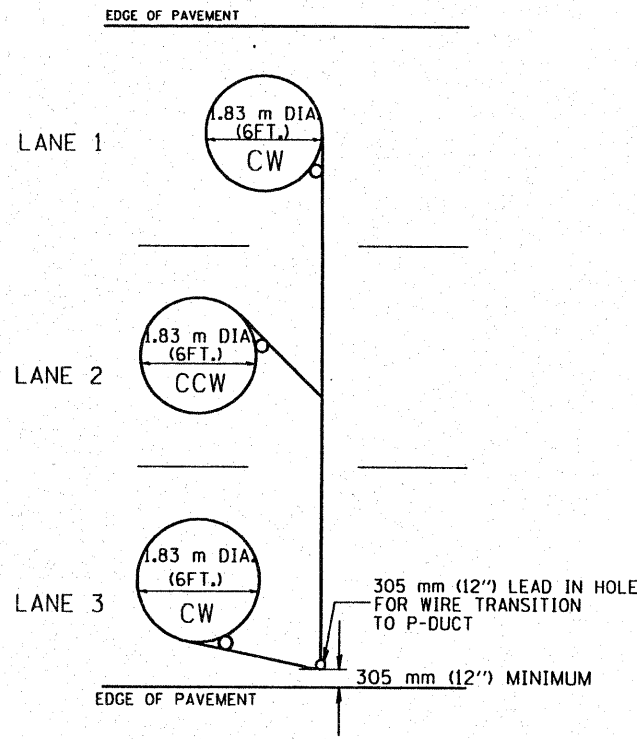
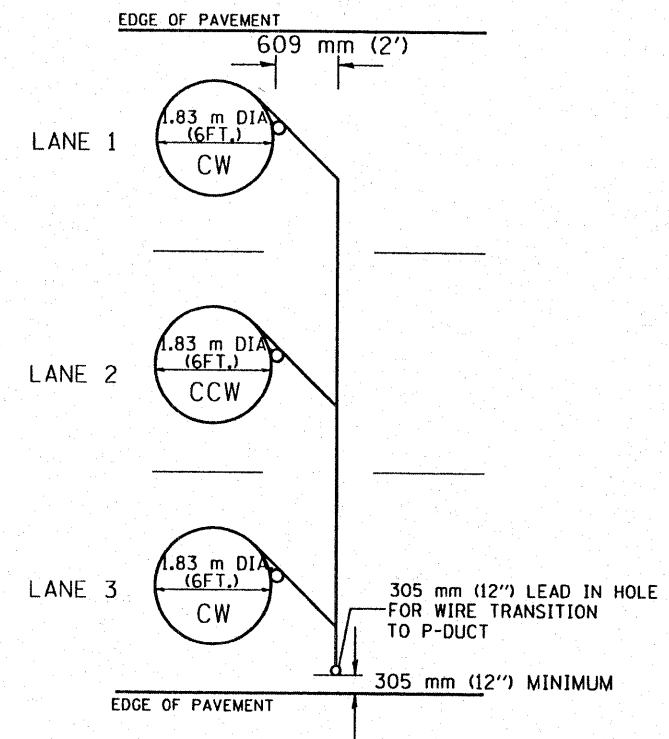


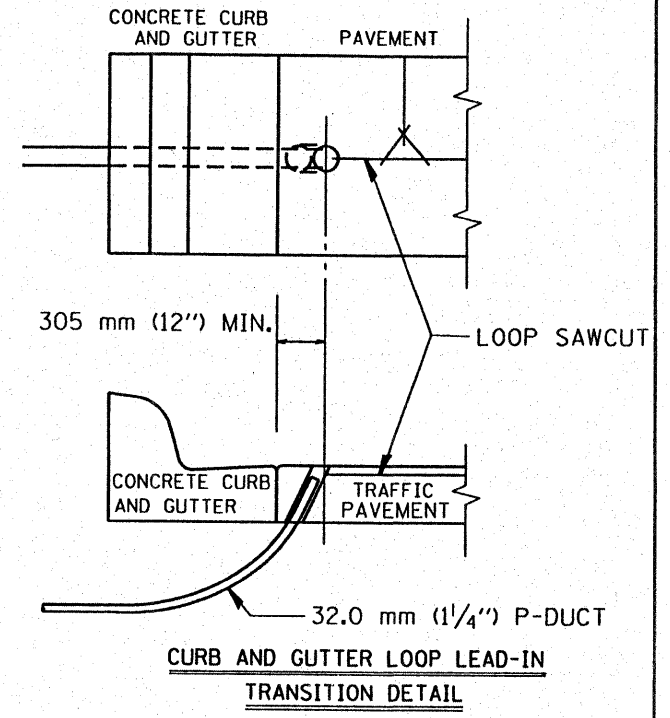
F.A. RTE.	SECTION	COUNTY	TOTAL SHEETS	SHEET NO.
290	020K		214	294
STA.		TO STA.		
FED. ROAD DIST. NO. 1		ILLINOIS FED. AID PROJECT		



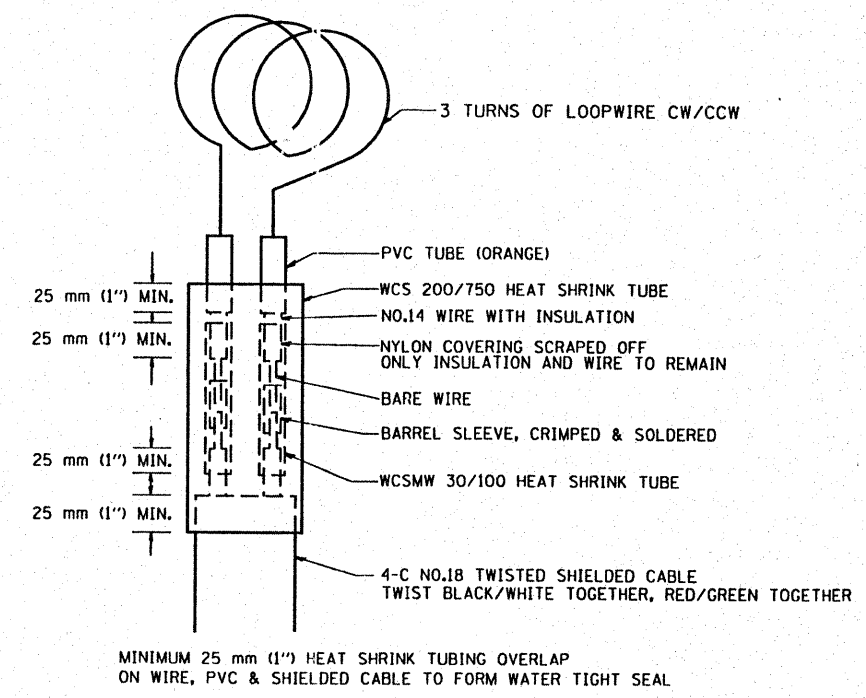
TYPICAL 1.83 m (6FT.) DIA. INDUCTION LOOP CORE DRILL  
LAYOUT FOR MULTIPLE LANE ROADWAY



TYPICAL 1.83 m (6') DIA. INDUCTION LOOP CORE DRILL  
LAYOUT FOR MULTIPLE LANE ROADWAY



CURB AND GUTTER LOOP LEAD-IN  
TRANSITION DETAIL



LOOP SPLICING REQUIREMENTS

- NOTES
1. EACH LOOP SHALL BE SPLICED TO A 4-C NO.18 TWISTED SHIELDED LEAD IN WHEN 45 m (150FT.) OR MORE FROM CABINET.
  2. LOOPS SHALL BE SPLICED IN HANDHOLES ONLY, OTHERWISE WRITTEN PERMISSION SHALL BE OBTAINED FROM TSC ENGINEER.
  3. LOOPS SHALL NOT BE SPLICED IN SERIES.
  4. EACH LOOP LEAD IN SHALL BE IDENTIFIED AND PERMANENTLY COLOR CODED IN THE COREHOLE, HANDHOLE & CABINETS THRU WHICH THEY ENTER OR PASS AND TAGGED WITH THE CORRECT NOMENCLATURES.

REVISIONS	
NAME	DATE
R.L.	6/94
T.C.	10/96

ILLINOIS DEPARTMENT OF TRANSPORTATION  
TRAFFIC SYSTEMS CENTER  
**EXISTING  
ROUND INDUCTION LOOP  
TYPICALS**  
SCALE: VERT: NONE  
HORIZ: NONE  
DATE 6-22-94  
DRAWN BY G.M.  
CHECKED BY R.L.

RD-TYPNET.DGN  
RF

VI-4182