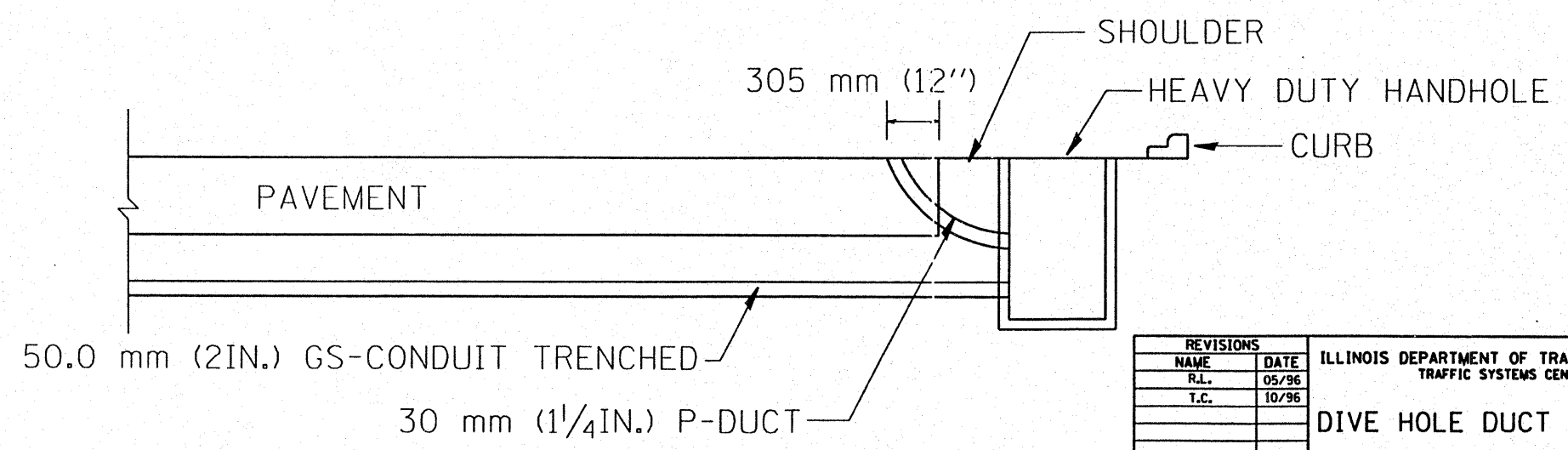
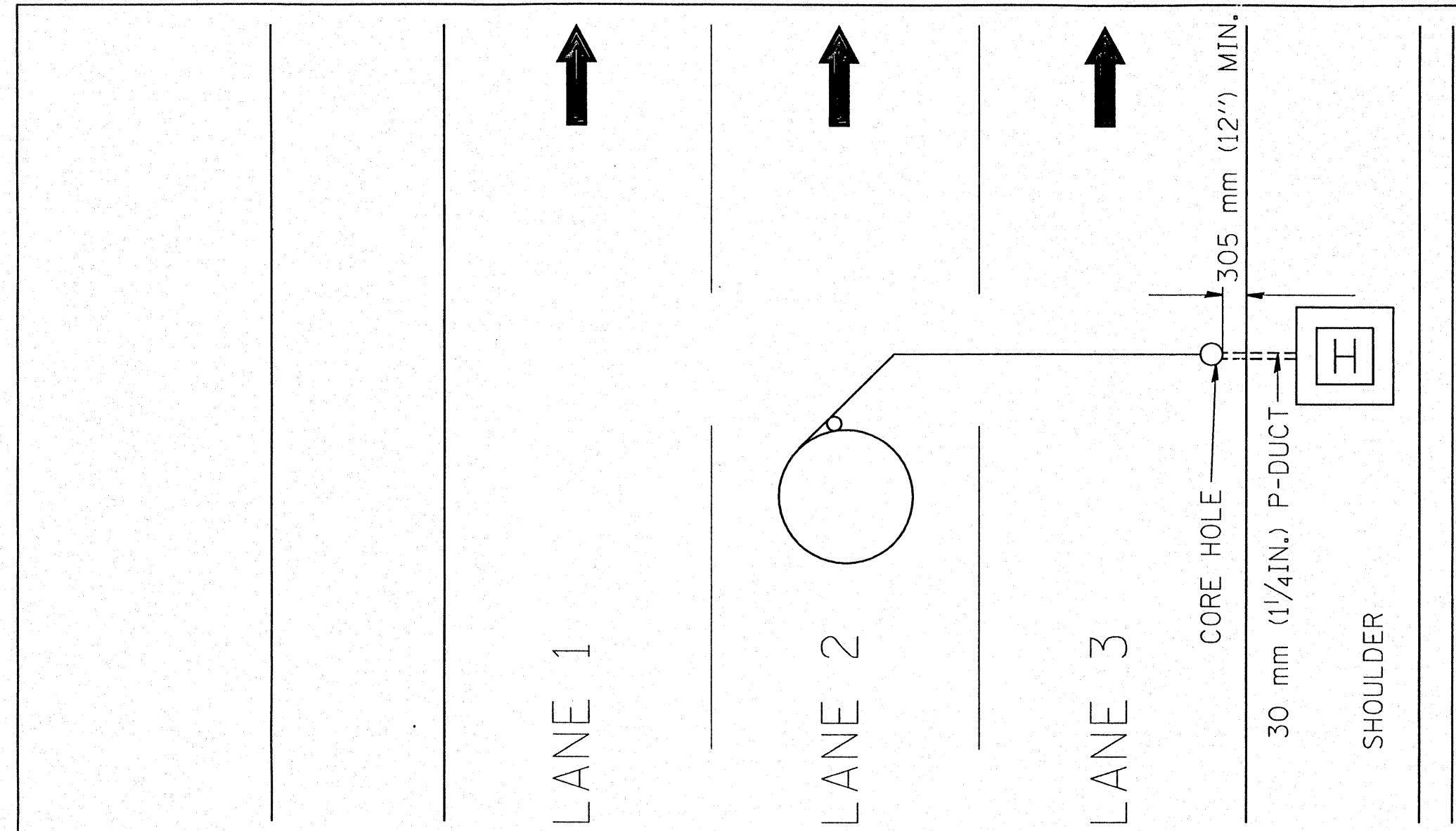


60138

F.A. RTE.	SECTION	COUNTY	TOTAL SHEETS	SHEET NO.
280		COOK	214	296
STA.		TO STA.		
FED. ROAD DIST. NO. 1		ILLINOIS FED. AID PROJECT		



REVISIONS	
NAME	DATE
R.L.	05/96
T.C.	10/96

ILLINOIS DEPARTMENT OF TRANSPORTATION
 TRAFFIC SYSTEMS CENTER
DIVE HOLE DUCT SYSTEM
 SCALE: VERT. NONE DRAWN BY G.M.
 DATE 11/7/95 CHECKED BY R.L.

RD-TYPMET.DGN
 RF=

VI-4188