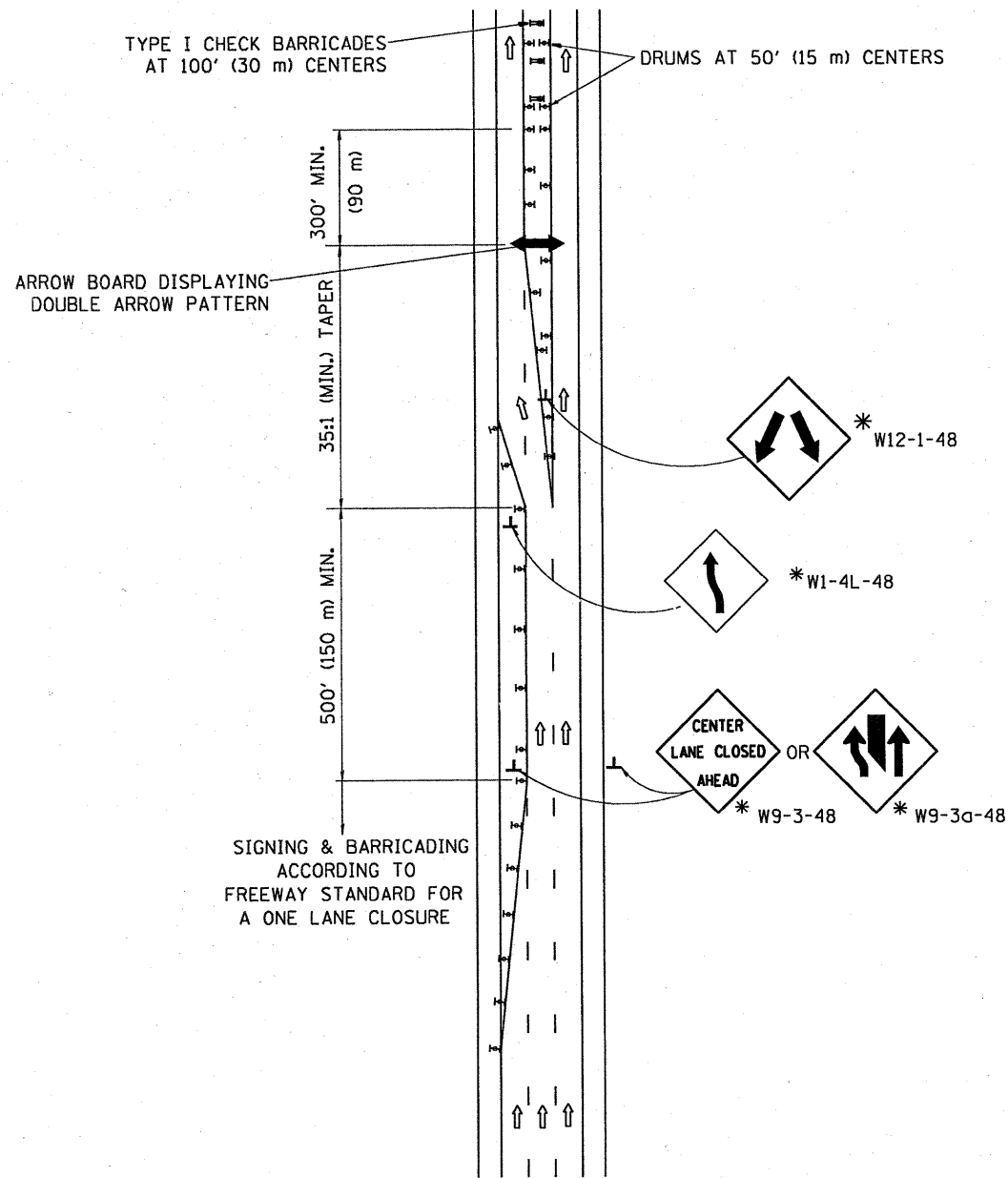
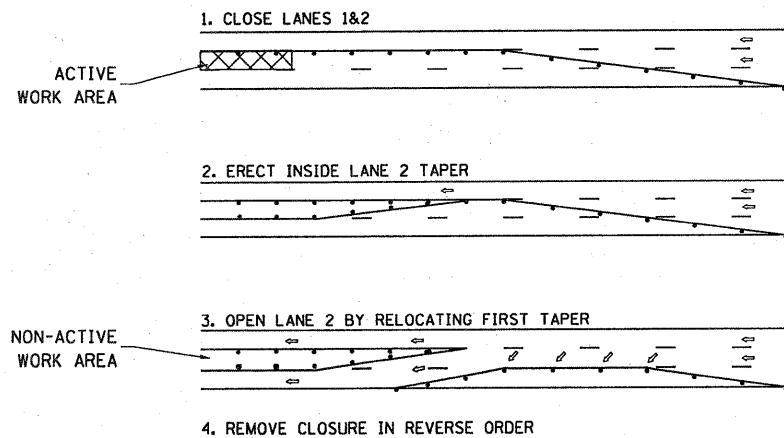


CENTER LANE CLOSURE



INSTALLATION SEQUENCE

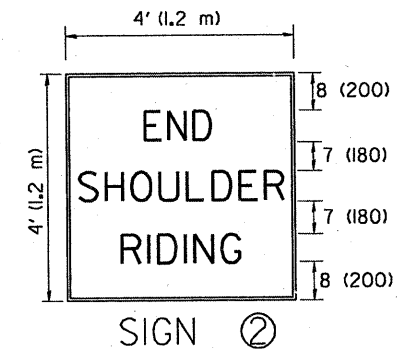
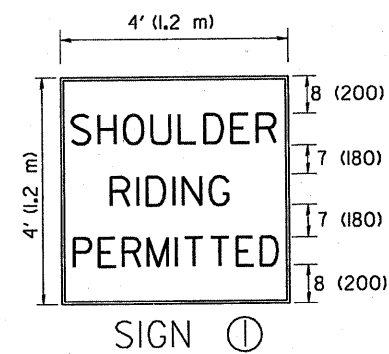
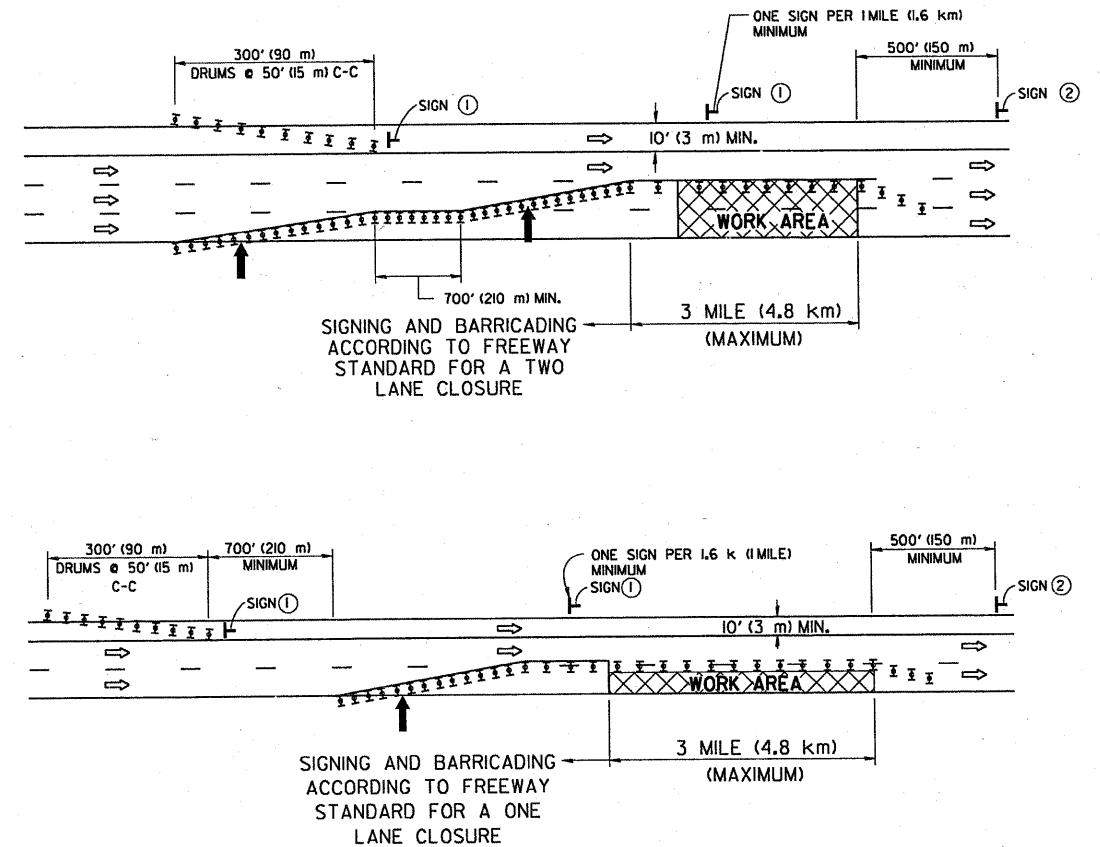


NOTES

- DRUMS WITH STEADY BURN LIGHTS SHALL BE USED AT 50' (15 m) CENTERS ON ALL TAPERS AND TANGENTS IN ADVANCE OF WORK AREA.
- CLOSURE SHALL BE USED ONLY FOR OPERATIONS LASTING 72 HOURS OR LESS.
- CENTER LANE CLOSURE CONFIGURATION IS NOT TO BE USED WITH WORKERS PRESENT.

SHOULDER LANE

NOTE: CLOSURE SHALL BE USED ONLY FOR OPERATIONS LASTING 72 HOURS OR LESS.



6 (150) SERIES "C" LEGEND
BLACK LEGEND
WHITE REFLECT. BACKGROUND
1(25) BORDER

SYMBOLS

- DIRECTION OF TRAFFIC
- ARROWBOARD
- ACTIVE WORK AREA
- SIGN ON PORTABLE OR PERMANENT SUPPORT *
- TYPE II BARRICADE, OR DRUM WITH MONO-DIRECTIONAL STEADY BURN LIGHT

ALL DIMENSIONS ARE IN INCHES (MILLIMETERS) UNLESS OTHERWISE SHOWN

* ALL SIGNS SHALL BE MOUNTED AT A MINIMUM HEIGHT OF 5' (1.5 m).

FILE NAME =	USER NAME = abreuah	DESIGNED -	REVISED - J.A.F. 04-03
ca:\pw-work\pwwdot\abreuah\d8166889\DistStd.dgn		DRAWN -	REVISED - S.P.B. 01-07
		CHECKED -	REVISED - S.P.B. 12-09
		DATE -	REVISED -

STATE OF ILLINOIS
DEPARTMENT OF TRANSPORTATION

TRAFFIC CONTROL DETAILS FOR FREEWAY		F.A.I. RTE.	SECTION	COUNTY	TOTAL SHEETS	SHEET NO.
CENTER LANE CLOSURE SHOULDER LANE		290	(531-3.1, 0305-302 K) RS-5	COOK	314	311
SCALE: NONE		SHEET NO. 1 OF 1 SHEETS		STA.	TO STA.	CONTRACT NO. 60138
FED. ROAD DIST. NO. 1 (ILLINOIS) FED. AID PROJECT						