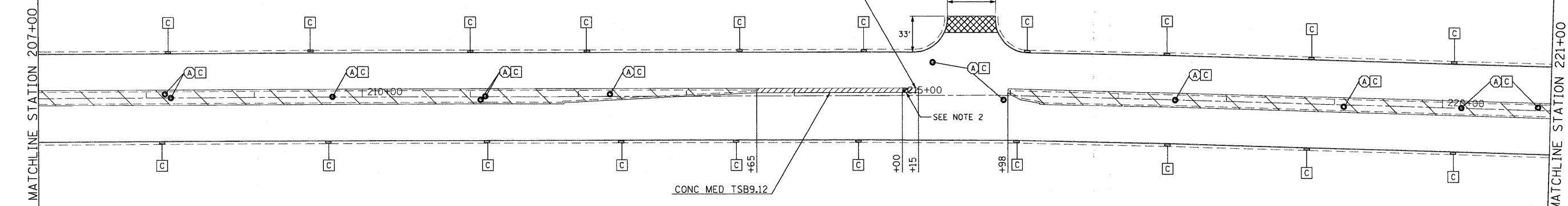
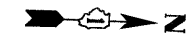


PORTLAND CEMENT CONCRETE SURFACE REMOVAL, VAR. DEPTH (SEE NOTE 1)
 RESURFACE WITH:
 POLYMERIZED LEVELING BINDER (MACHINE METHOD), IL-4.75, N50 -3/4"
 POLYMERIZED HMA SURFACE COURSE, MIX F, N90 (IL-9.5MM) -1 3/4"



ROADWAY LEGEND

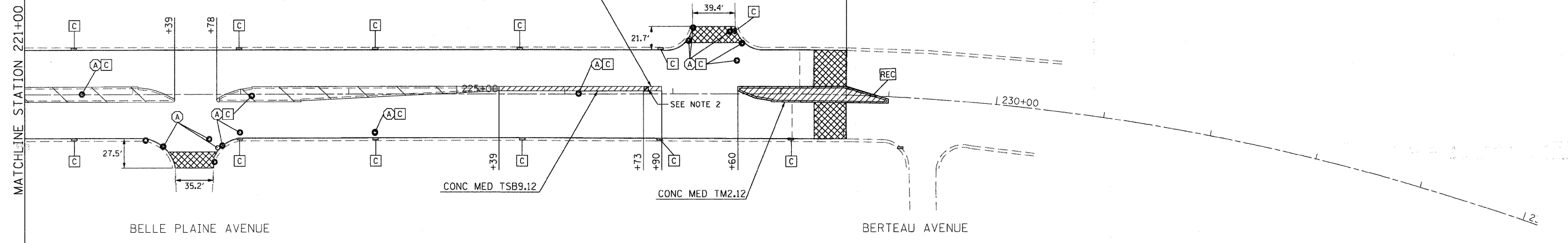
- PROPOSED HMA SURFACE REMOVAL BUTT JOINT
SEE BUTT JOINTS AND HMA TAPER DETAILS (BD32)
- PROPOSED PCC SURFACE REMOVAL BUTT JOINT
SEE BUTT JOINTS AND HMA TAPER DETAILS (BD32)
- MEDIAN REMOVAL
- MEDIAN REMOVAL (PARTIAL DEPTH)

DRAINAGE LEGEND

- FRAMES AND GRATES TO BE ADJUSTED
- STRUCTURE TO BE CLEANED
- FRAME AND LID TO BE ADJUSTED
- STRUCTURE TO BE RECONSTRUCTED
- TELEPHONE-TO BE ADJUSTED BY OTHERS
- COM ED-TO BE ADJUSTED BY OTHERS

NOTES

1. REFER TO TYPICAL SECTIONS FOR LOCATIONS AND DISTRICT ONE (BD33)
(HMA TAPER AT EDGE OF PCC PAVEMENT).
2. REBUILD EXISTING HANDHOLE TO HEAVY DUTY HANDHOLE.
3. REBUILD EXISTING HANDHOLE.



FILE NAME = P:\2009\ME09086_Ver-Var_Plan\CADD\W01_US45\Shets\16166-shet-draw-08.dgn
 PLOT SCALE = 50.0000 / IN.
 USER NAME = Millennia Professional Services

200 22ND Street, Suite 216, Lombard, IL 60148
 630.785.9119 voice, 630.839.2566 fax
 WWW.MPS-IL.COM
MILLENNIA PROFESSIONAL SERVICES

DESIGNED - CJD	REVISED -
DRAWN - CJD	REVISED -
CHECKED - TVN	REVISED -
DATE - 2/4/2010	REVISED -

STATE OF ILLINOIS
DEPARTMENT OF TRANSPORTATION

US RTE 12/45
BERTEAU AVE TO US RTE 20
 SCALE: 1"=50' SHEET NO. OF SHEETS STA. 181+00 TO STA. 228+60

F.A.P. RTE. 330	SECTION (464Y & 465Y) RS-3	COUNTY COOK	TOTAL SHEETS 44	SHEET NO. 14
CONTRACT NO. 60166				
FED. ROAD DIST. NO. 1 ILLINOIS FED. AID PROJECT				

PLN-08

P:\2009\ME09086_Ver-Var_Plan\CADD\W01_US45\Shets\16166-shet-draw-08.dgn