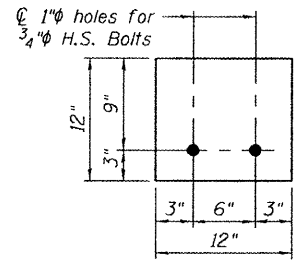
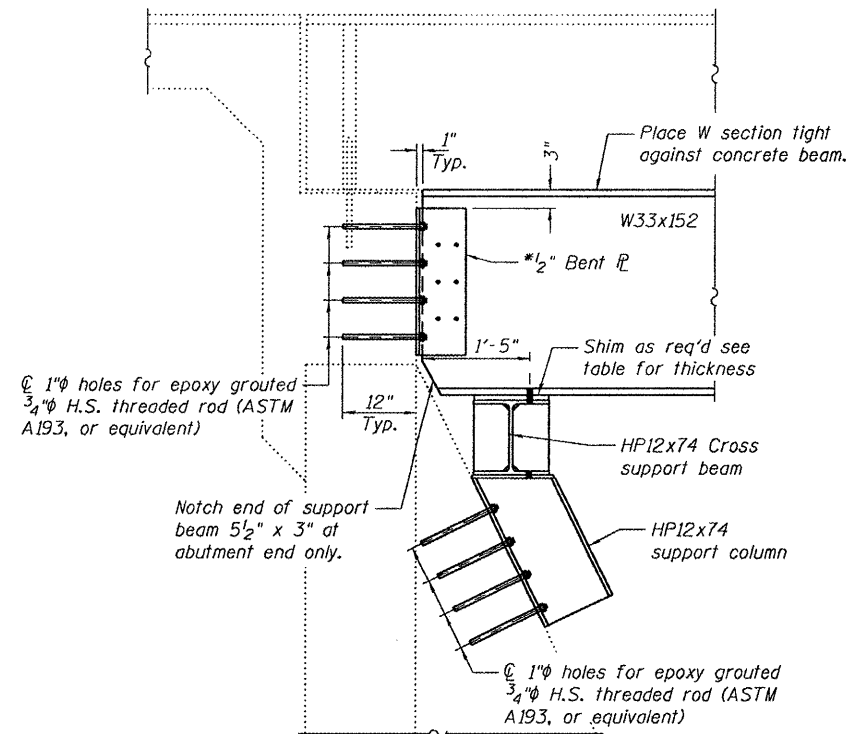


STATE OF ILLINOIS
DEPARTMENT OF TRANSPORTATION

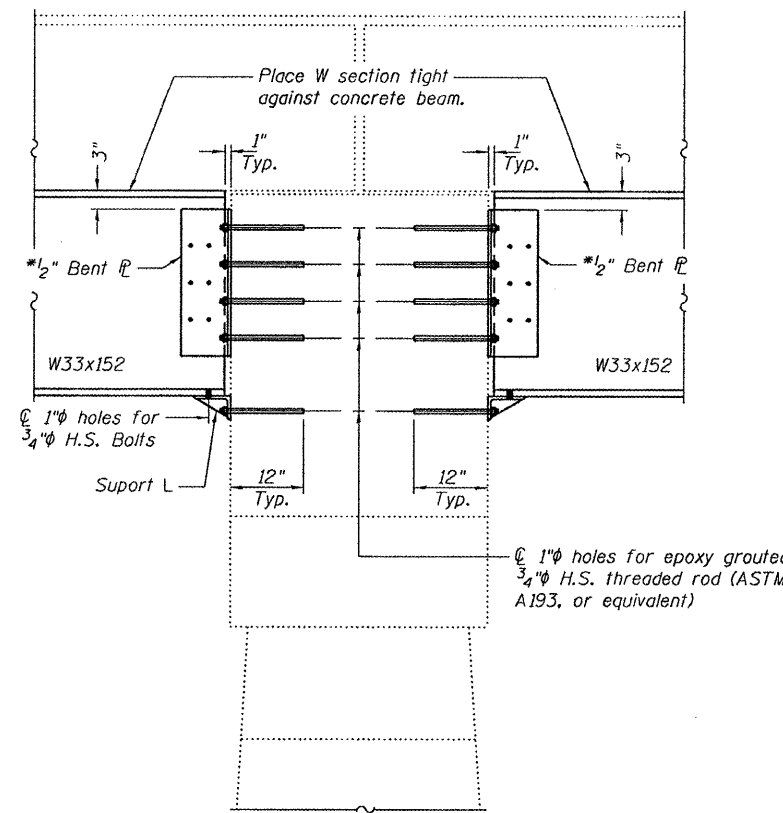
*Where necessary remove loose concrete in areas where bent \bar{r} 's are to be placed. Non-shrink grout shall be placed in order to ensure proper sitting of the bent \bar{r} 's. Cost of loose concrete removal and grout is included in the cost of Furnishing and Erecting Structural Steel



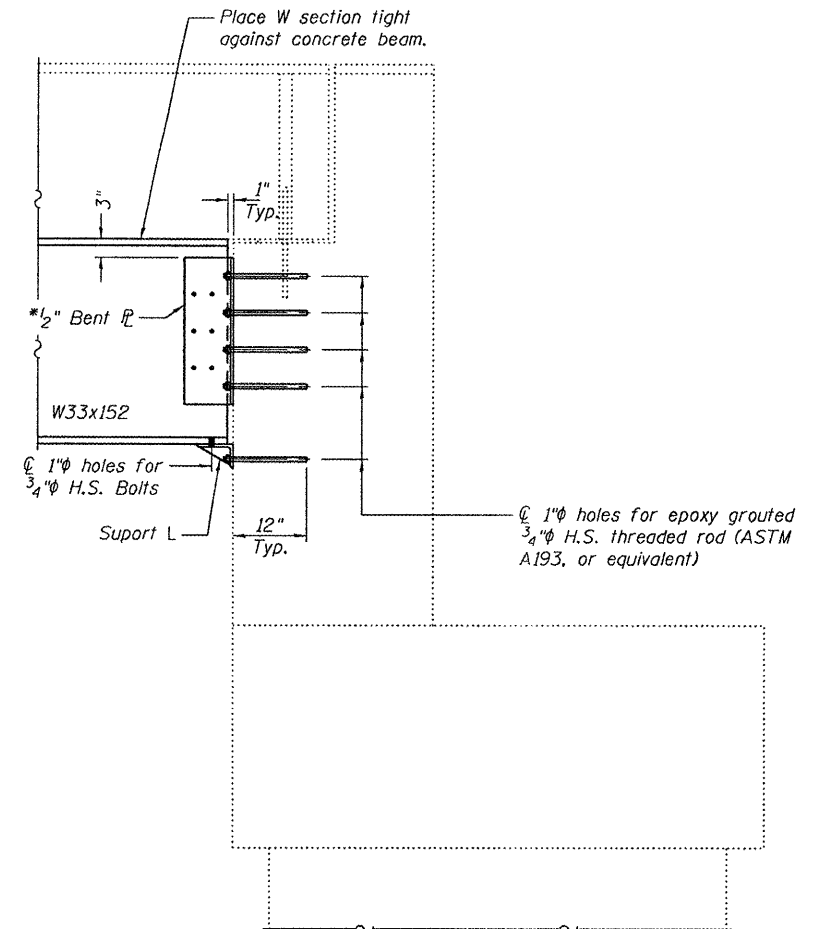
TYPICAL SHIM

SHIM \bar{r} THICKNESS

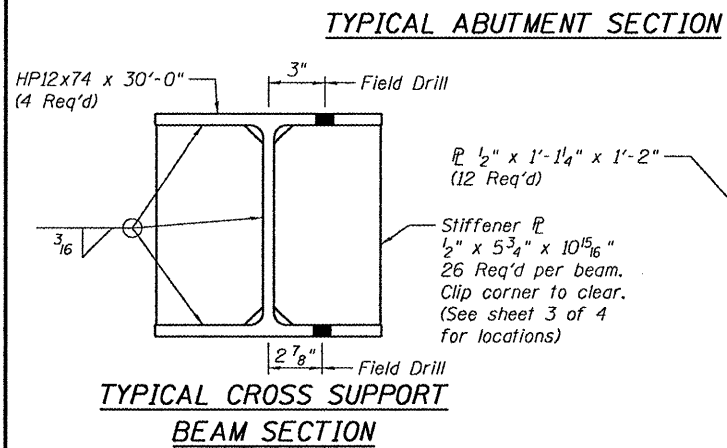
\bar{r} 12" x 12" x t	
Deck Beam	"t"
1 & 20	0
2 & 19	1/2"
3 & 18	1"
4 & 17	1 5/8"
5 & 16	2 5/8"
6 & 15	2 5/8"
7 & 14	3 1/2"
8 & 13	3 3/4"
9 & 12	4 1/4"
10 & 11	4 3/4"



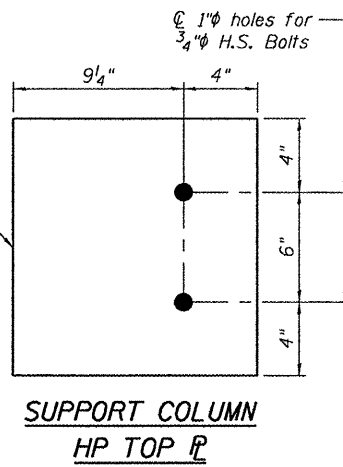
TYPICAL PIER 1 AND 4 SECTION



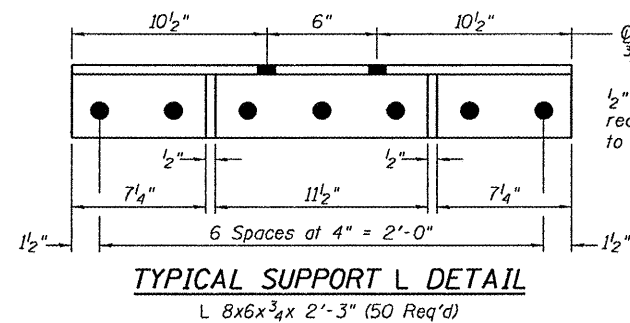
TYPICAL PIER 2 AND 3 SECTION



TYPICAL CROSS SUPPORT BEAM SECTION



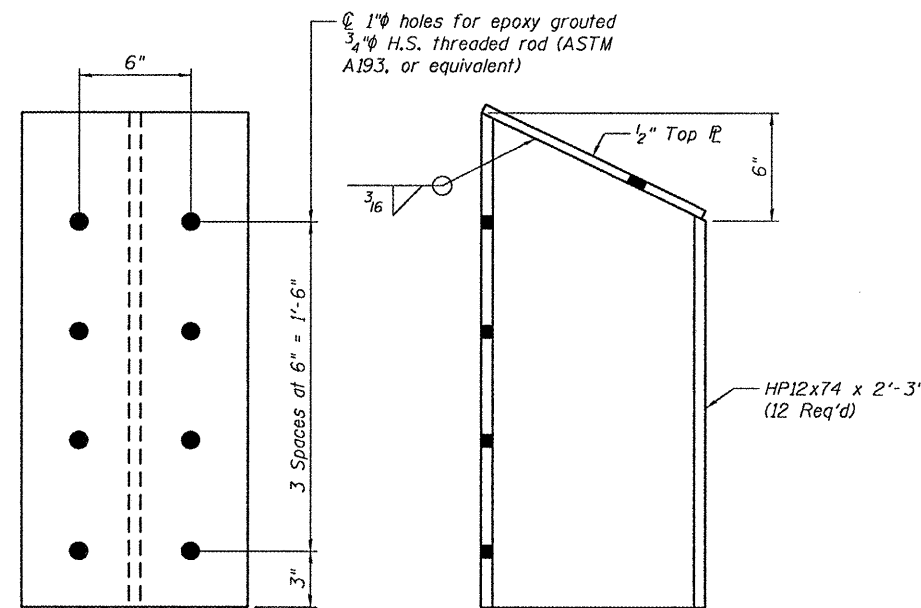
SUPPORT COLUMN HP TOP



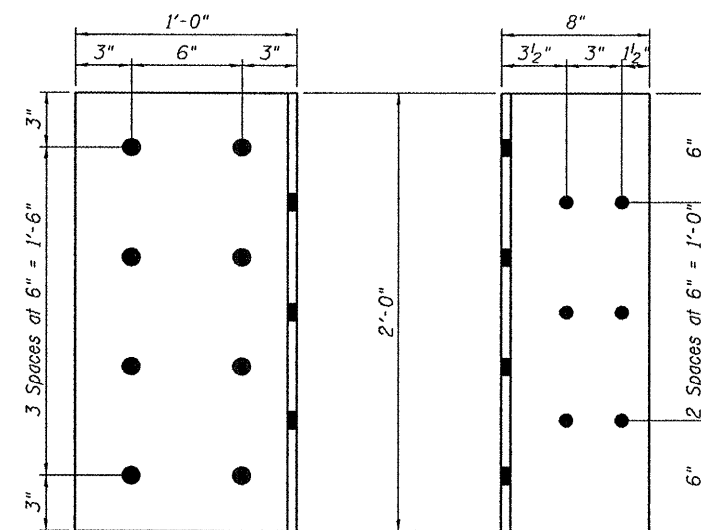
TYPICAL SUPPORT L DETAIL

L 8x6x3/4x 2'-3" (50 Req'd)

TYPICAL SUPPORT L SECTION



HP SUPPORT COLUMN



BENT \bar{r} DETAILS

\bar{r} 1/2" x 1'-8" x 2'-0" (128 Req'd)

DETAILS SN 016-0934

DESIGNED	V.H.V.
CHECKED	A.T.H.
DRAWN	Drew Christopher
CHECKED	V.H.V. A.T.H.

EXAMINED	March 3, 2010
PASSED	<i>Carl Proyer</i> ENGINEER OF STRUCTURAL SERVICES
	<i>Ralph E. Anderson</i> ENGINEER OF BRIDGES AND STRUCTURES

SHEET NO. 2	F.A.U. RTE.	SECTION	COUNTY	TOTAL SHEETS	SHEET NO.
	2937	1112.1 BR-2	Cook	8	5
4 SHEETS	FED. ROAD DIST. NO. ILLINOIS		CONTRACT NO. 60J18		
FED. AID PROJECT					