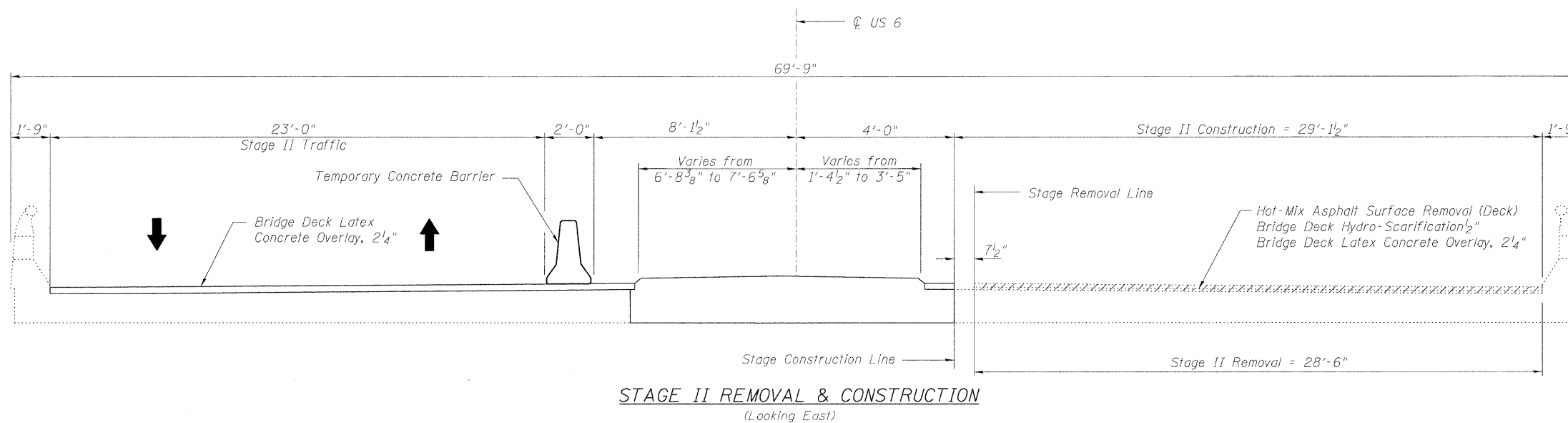
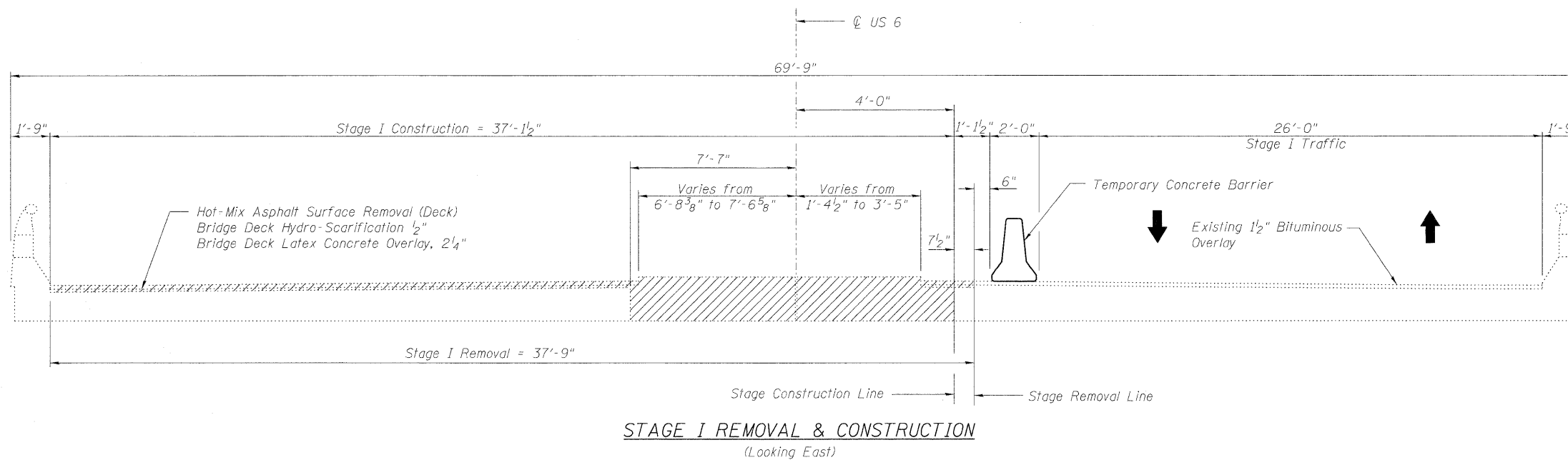



STATE OF ILLINOIS
DEPARTMENT OF TRANSPORTATION



STAGE CONSTRUCTION DETAILS
STRUCTURE NO. 016-0386

 LIN ENGINEERING, LTD. Consulting Engineers Chatham, Illinois	SHEET NO. 2	F.A.P. RTE.	SECTION	COUNTY	TOTAL SHEETS	SHEET NO.
	6 SHEETS	351	539 B-1	COOK	21	12
<small>Designed By: TBP Checked By: MTH Drawn By: TBP Date: 1/20/05 File: 016-0386.dgn</small>		CONTRACT NO. 60J36 ILLINOIS FED. AID PROJECT				