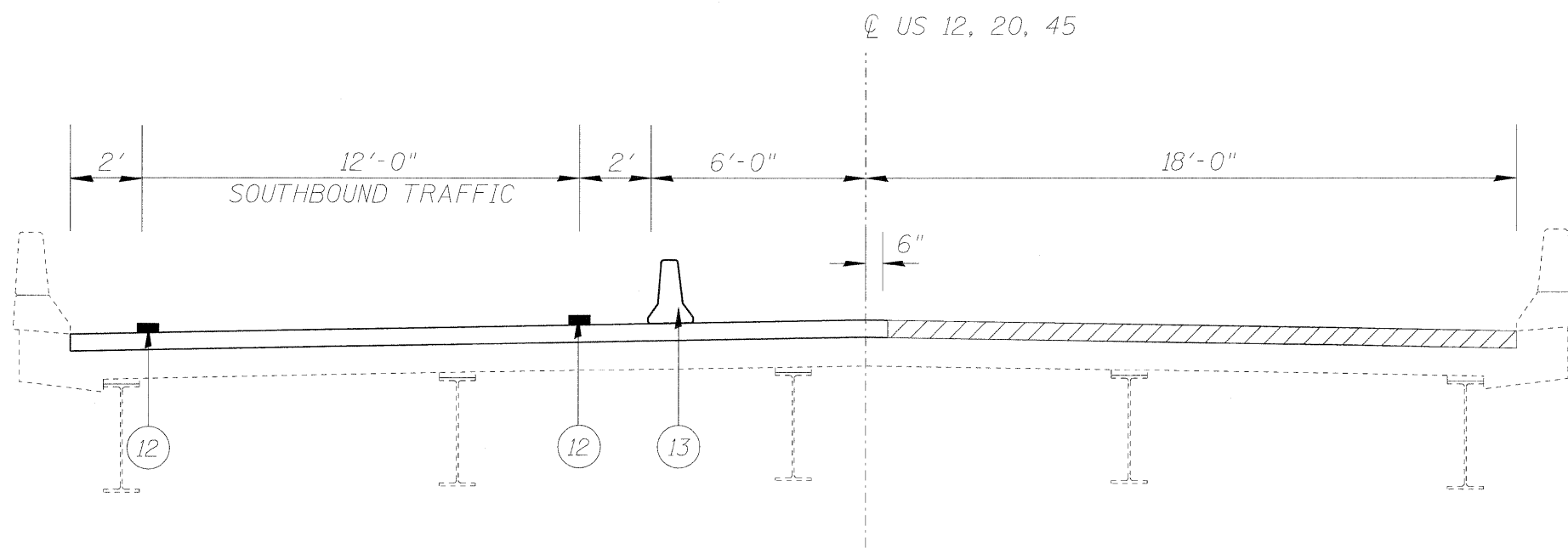


STAGE 1 TYPICAL SECTION



STAGE 2 TYPICAL SECTION

- ⑪ TEMPORARY CONCRETE BARRIER
- ⑫ WET REFLECTIVE TEMPORARY TAPE, TYPE III, 4"
- ⑬ RELOCATE TEMPORARY CONCRETE BARRIER