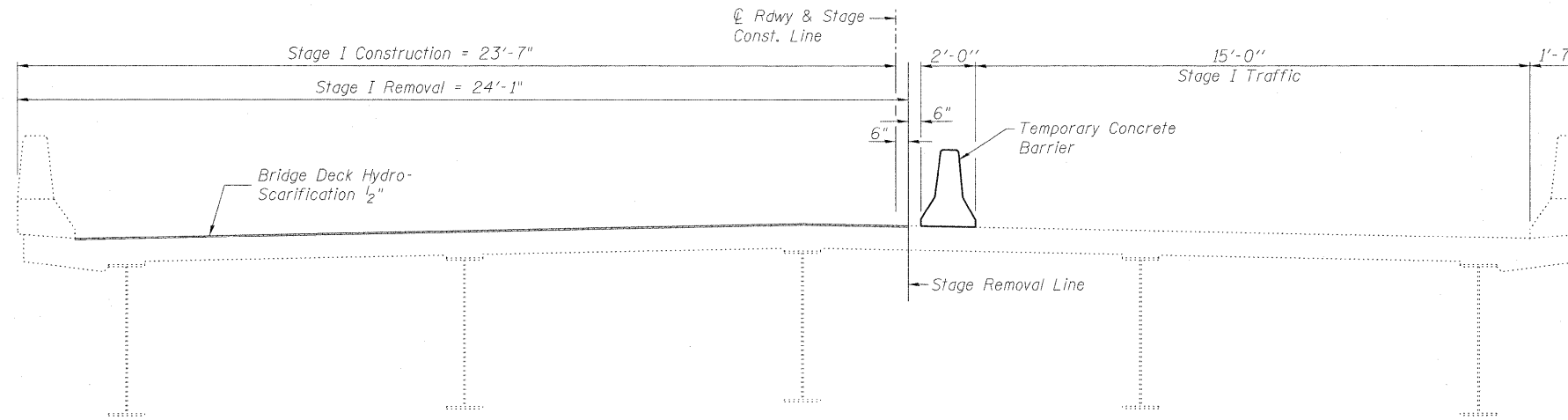
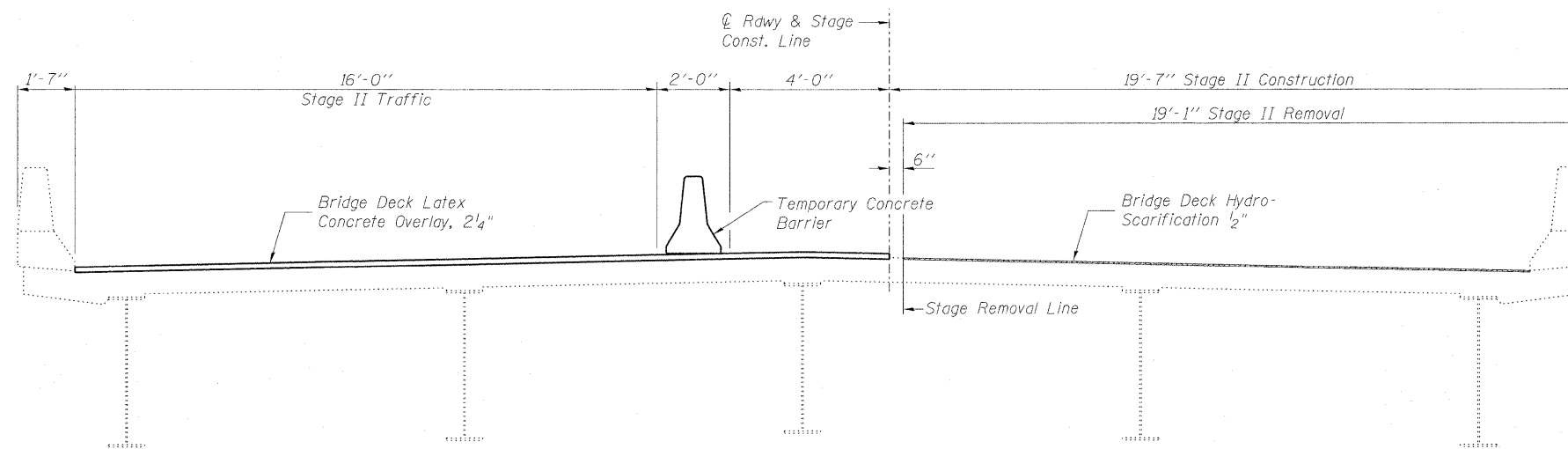


STATE OF ILLINOIS
DEPARTMENT OF TRANSPORTATION




STAGE I REMOVAL & CONSTRUCTION
(Looking North)



STAGE II REMOVAL AND CONSTRUCTION
(Looking North)

Notes:
See Sheet 5 of 27 for details of Temporary Concrete Barrier.
See Roadway Plans for quantities of Temporary Concrete Barrier.

STAGE CONSTRUCTION DETAILS
STRUCTURE NO. 016-2407

 LIN ENGINEERING LTD. Consulting Engineers Chatham, Illinois	SHEET NO. 4	F.A.P. RTE.	SECTION	COUNTY	TOTAL SHEETS	SHEET NO.
	27 SHEETS	330	462 X-B-I	COOK	54	24
Designed By: TBP Date: 1/2010		Checked By: MTH File: 016_2407.dgn		Drawn By: RH		CONTRACT NO. 60J37 ILLINOIS FED. AID PROJECT