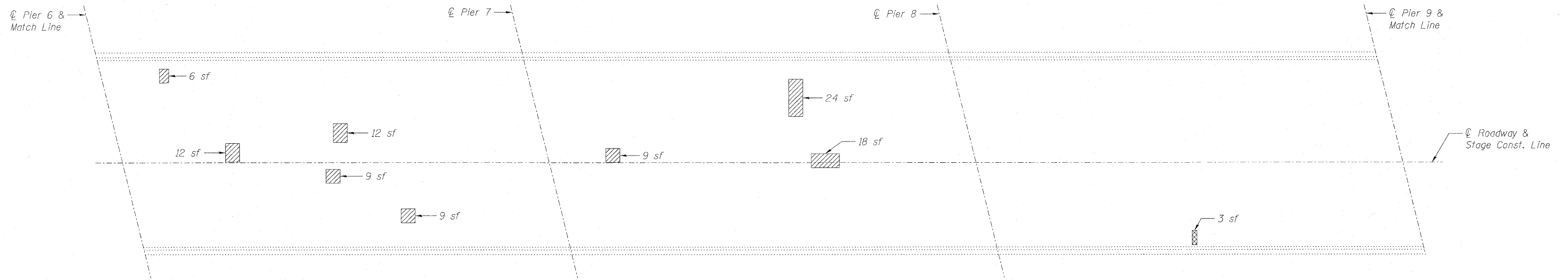


STATE OF ILLINOIS
DEPARTMENT OF TRANSPORTATION



PARTIAL PLAN
(Spans 7 Thru 9)



PARTIAL PLAN
(Spans 10 Thru 12)

BILL OF MATERIAL

Item	Unit	Total
Deck Slab Repair (Full Depth, Type I)	Sq. Yd.	0.3
Deck Slab Repair (Full Depth, Type II)	Sq. Yd.	14.8
Protective Shield	Sq. Yd.	2547


Repair of the existing deck slab shall include but may not be limited to the areas shown. The actual area to be repaired will be determined by the Engineer at the time of construction.

LEGEND

-  Indicates Deck Slab Repair (Full Depth, Type I)
-  Indicates Deck Slab Repair (Full Depth, Type II)
- sf Square Feet

Note:
See Sheet 1 of 27 for locations of protective shield.

DECK REPAIR (2 of 5)
STRUCTURE NO. 016-2407

 LIN ENGINEERING, LTD. Consulting Engineers Channah, Illinois	SHEET NO. 7	F.A.P. RTE.	SECTION	COUNTY	TOTAL SHEETS	SHEET NO.
	27 SHEETS	330	462 X-B-I	COOK	54	27
Designed By: TBP Checked By: MTH Drawn By: TBP Date: 1/2008 File: 016-2407.dgn					CONTRACT NO. 60J37	
ILLINOIS FED. AID PROJECT						