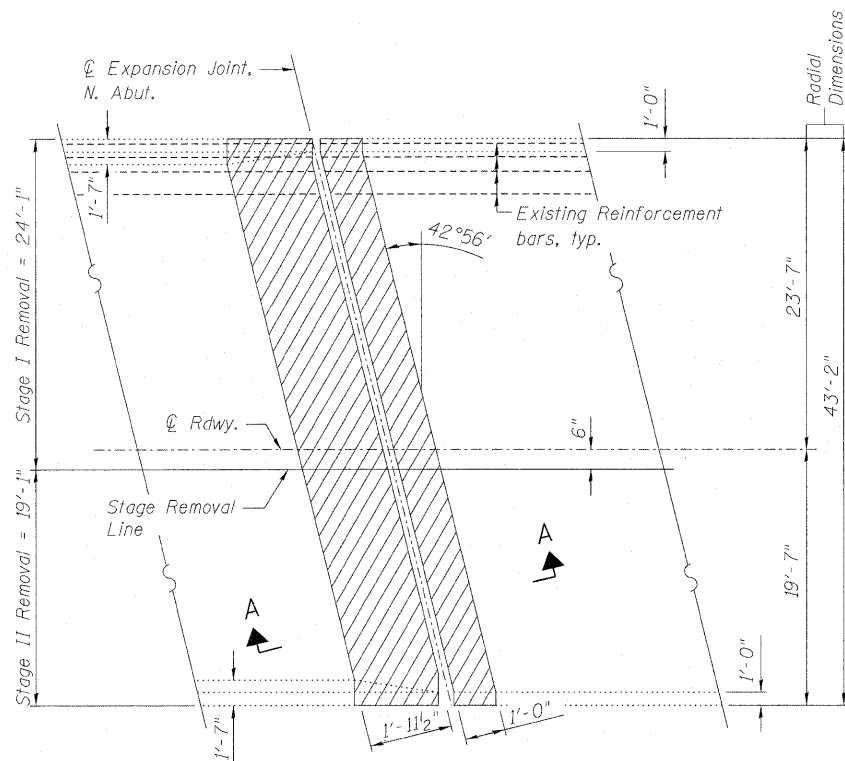
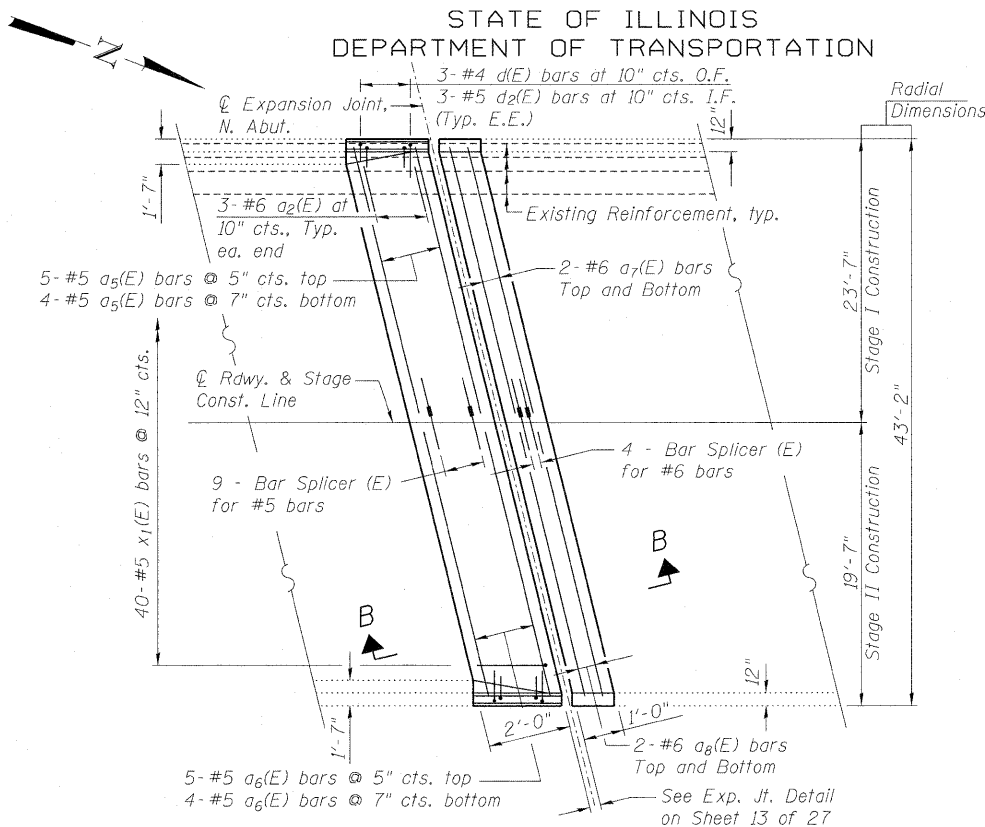


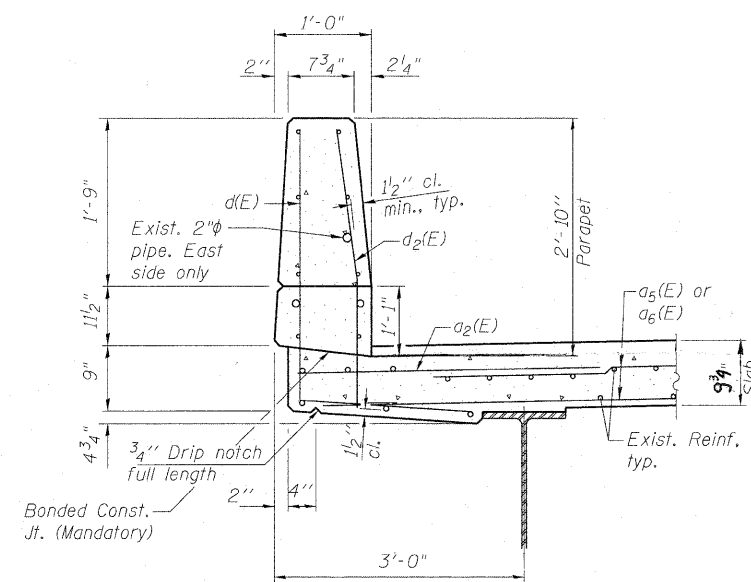
STATE OF ILLINOIS  
DEPARTMENT OF TRANSPORTATION



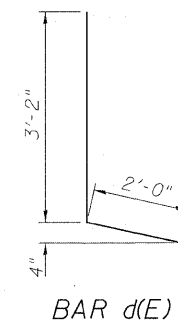
PARTIAL PLAN SHOWING CONCRETE  
REMOVAL AT NORTH ABUTMENT



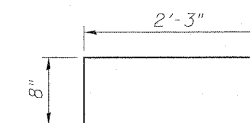
PARTIAL PLAN SHOWING CONCRETE  
REPLACEMENT AT NORTH ABUTMENT



SECTION THRU PARAPET  
(Horizontal Dimensions measured radially)



BAR d(E)



BAR d2(E)

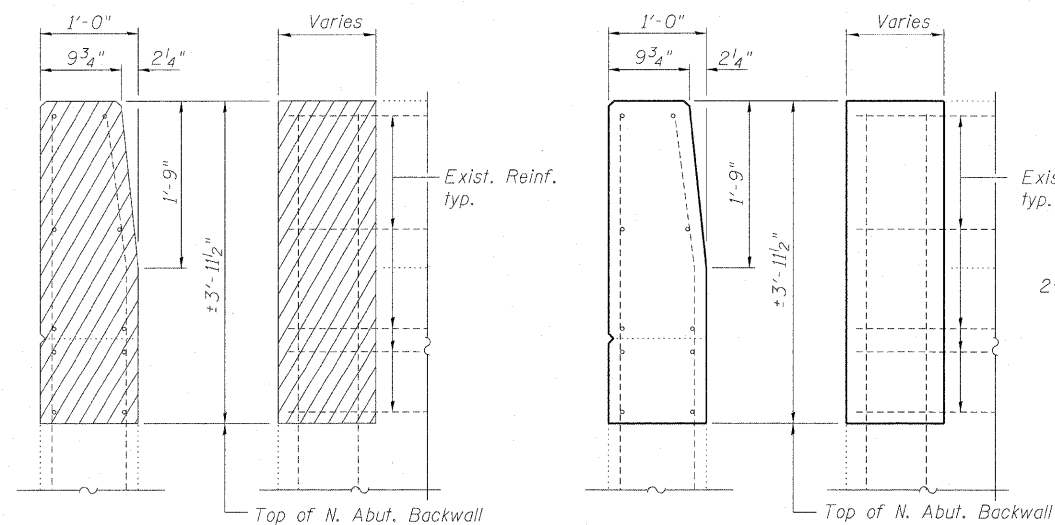
BAR x1(E)

BILL OF MATERIAL

Bar	No.	Size	Length	Shape
a2(E)	6	#6	6'-0"	—
a5(E)	9	#5	31'-4"	—
a6(E)	9	#5	25'-10"	—
a7(E)	4	#6	31'-9"	—
a8(E)	4	#6	26'-4"	—
d(E)	6	#4	5'-2"	—
d2(E)	6	#5	4'-2"	—
x1(E)	40	#5	2'-11"	—
Concrete Removal			Cu. Yd.	8.1
Concrete Superstructure			Cu. Yd.	8.6
Reinforcement Bars, Epoxy Coated			Pound	1110

LEGEND

O.F. = Outside Face  
I.F. = Inside Face  
E.E. = Each End



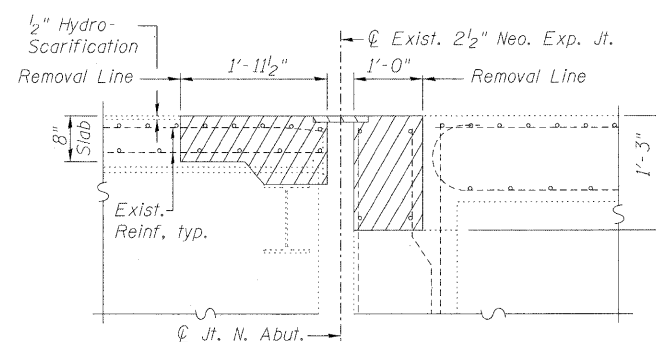
END VIEW

ELEVATION

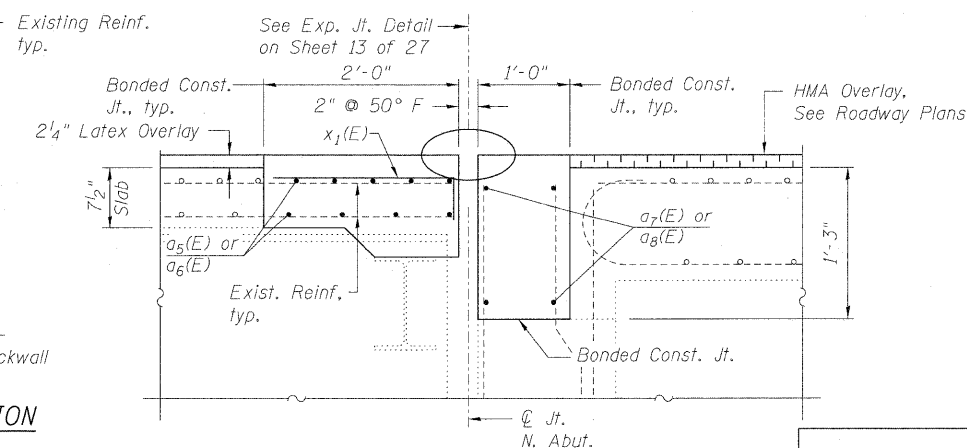
END VIEW

ELEVATION

WINGWALL CONCRETE REMOVAL DETAIL WINGWALL CONCRETE REPLACEMENT DETAIL



SECTION A-A  
(Dimensions at Rt. Angles)



SECTION B-B  
(Dimensions at Rt. Angles)

NOTES:

Hatched areas indicate concrete sections to be removed and replaced. Perimeters of concrete removal areas shall be saw cut 3/4" prior to removal of the concrete. Existing reinforcement shall be cleaned, straightened (if required) and incorporated into the new construction. Cost included with Concrete Removal. Removal of the existing joint system is included with Concrete Removal.

JOINT DETAILS, NORTH ABUTMENT  
STRUCTURE NO. 016-2407

 LIN ENGINEERING, LTD. Consulting Engineers Chatham, Illinois Designed By: TBP Checked By: MTH Drawn By: TBP Date: 1/20/03 File: 016-2407.dgn	SHEET NO. 12	F.A.P. RTE. 330	SECTION 462 X-B-I	COUNTY COOK	TOTAL SHEETS 54	SHEET NO. 32
	27 SHEETS	CONTRACT NO. 60J37		ILLINOIS FED. AID PROJECT		