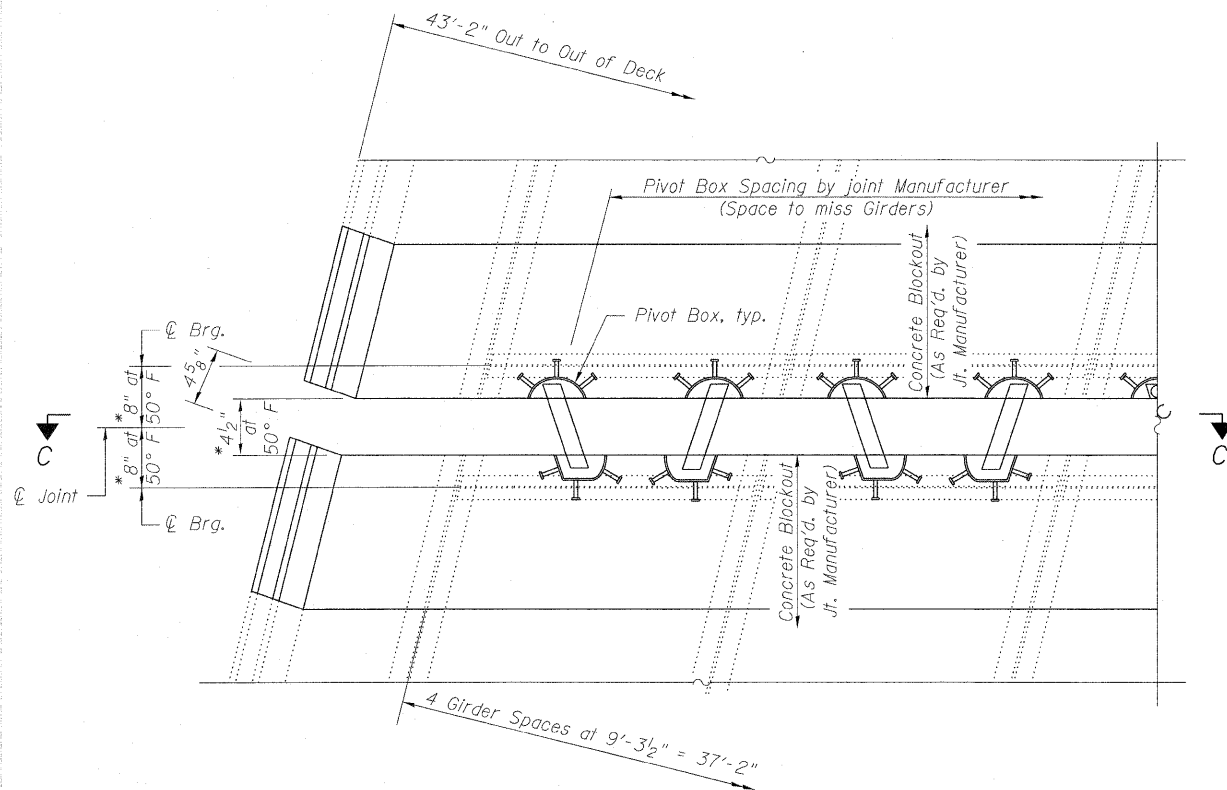
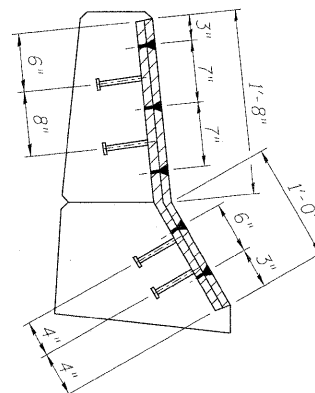


STATE OF ILLINOIS
DEPARTMENT OF TRANSPORTATION

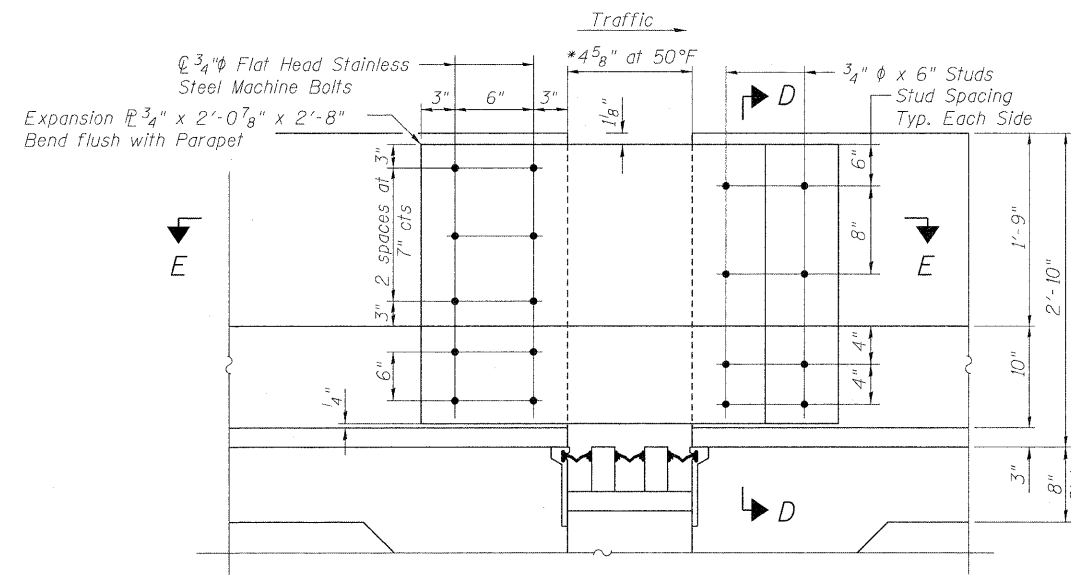


**PARTIAL PLAN
AT PIERS 24, 27**



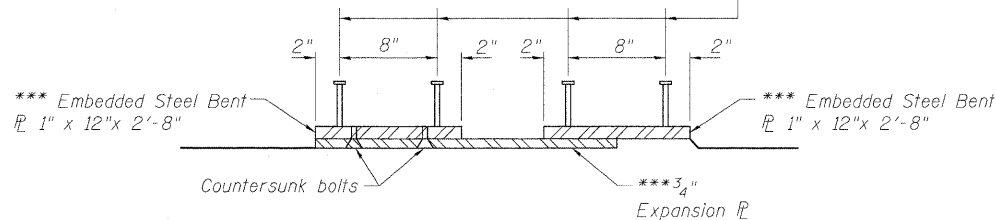
SECTION D-D

* Adjusted as required by Joint Manufacturer



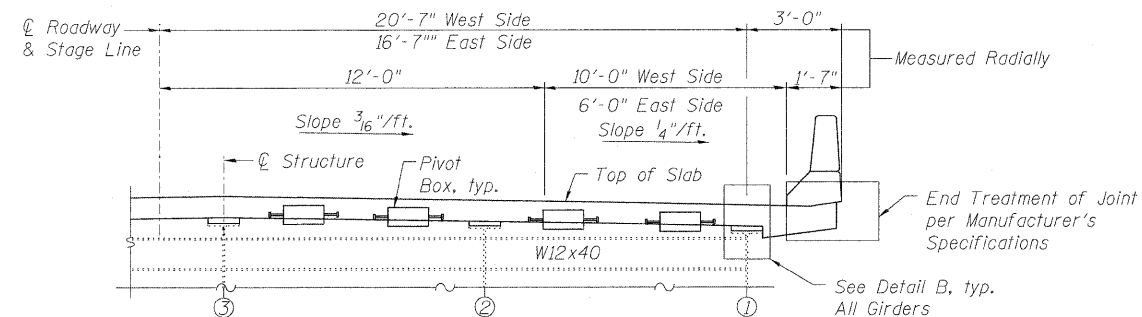
**ELEVATION - PARAPET SLIDING
PLATE AT PIERS 24 & 27**

#3/4" x 6" Granular or solid flux filled headed studs conforming to Art. 1006.32 of the Standard Specifications, automatically end welded (No. req'd = 16, per location)



SECTION E-E

*** Expansion Plate and Embedded Plates shall be galvanized according to AASHTO M111. Cost included with Modular Expansion Joint-Swivel 6"



**SECTION C-C
(Looking South)**

NOTES

Swivel Modular Expansion Joint shall be designed according to the latest ASTM Specifications for HS20 Loading with 30% impact and for a minimum movement of ±3" (total of 6").

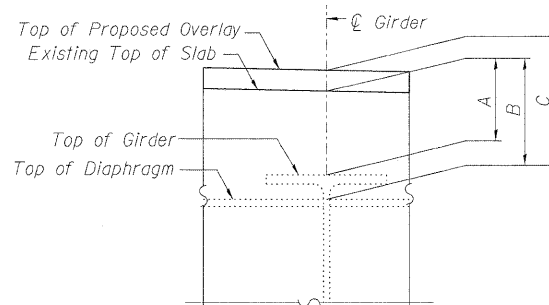
The Swivel Modular Expansion Joint shall be either Maurer Swivel system by the D.S. Brown Company or the WABO X-CEL system by the Watson Bowman Acme Corporation.

Joint shall be fabricated and installed according to the manufacturer's recommendations and as approved by the Engineer.

Joint shall be fabricated to conform to the Roadway Profile and Cross-Slopes.

Cost of all hardware and installation of Steel Bearing Shim Plates and additional reinforcement required to anchor the joint to the slab shall be included with "Modular Expansion Joint-Swivel 6"

The inorganic zinc rich primer/acrylic/acrylic paint system shall be used for shop and field painting of new structural steel except no top coat required in non-exposed areas. The color of the acrylic finish coat shall be Gray, Munsell No. 5B 7/1. See special Provisions "Cleaning and Painting New Metal Structures."



DETAIL B

**JOINT DETAILS, PIERS 24 & 27 (2 of 2)
STRUCTURE NO. 016-2407**

LIN ENGINEERING LTD. Consulting Engineers Chatham, Illinois	SHEET NO. 19	F.A.P. RTE. 330	SECTION 462 X-B-I	COUNTY COOK	TOTAL SHEETS 54	SHEET NO. 39
	27 SHEETS	CONTRACT NO. 60J37			ILLINOIS FED. AID PROJECT	