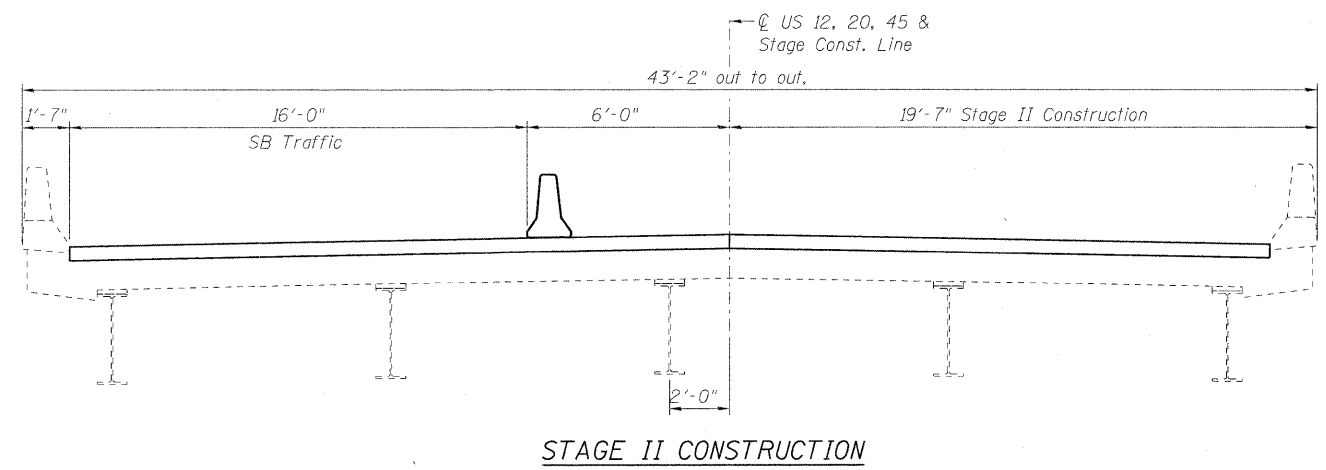
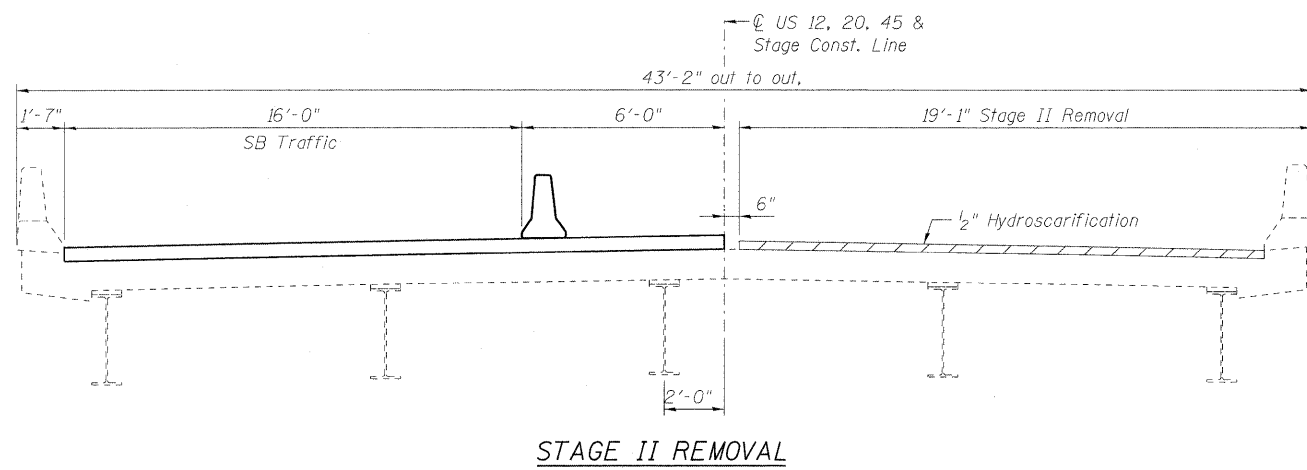
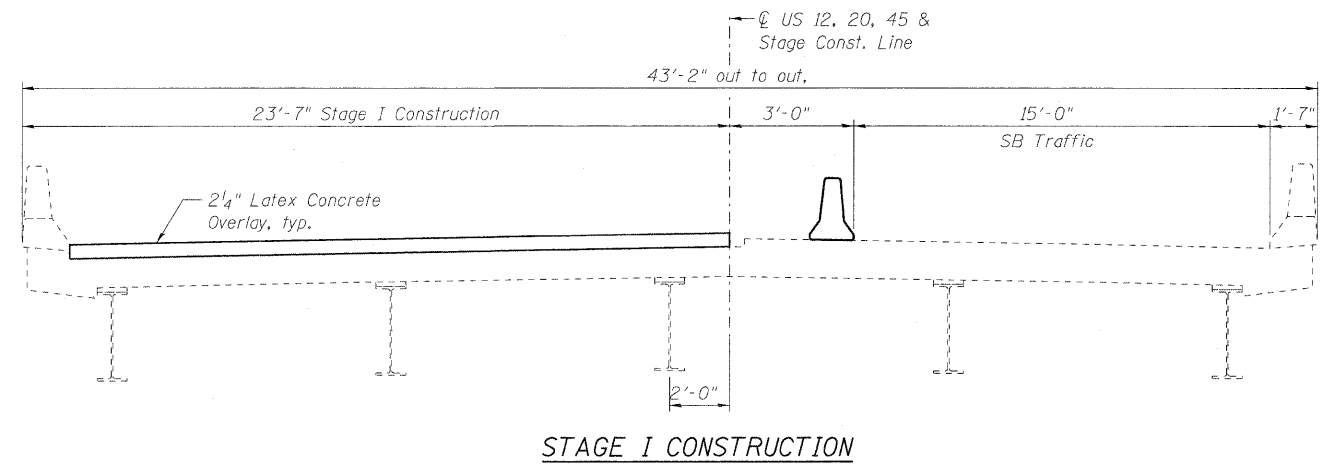
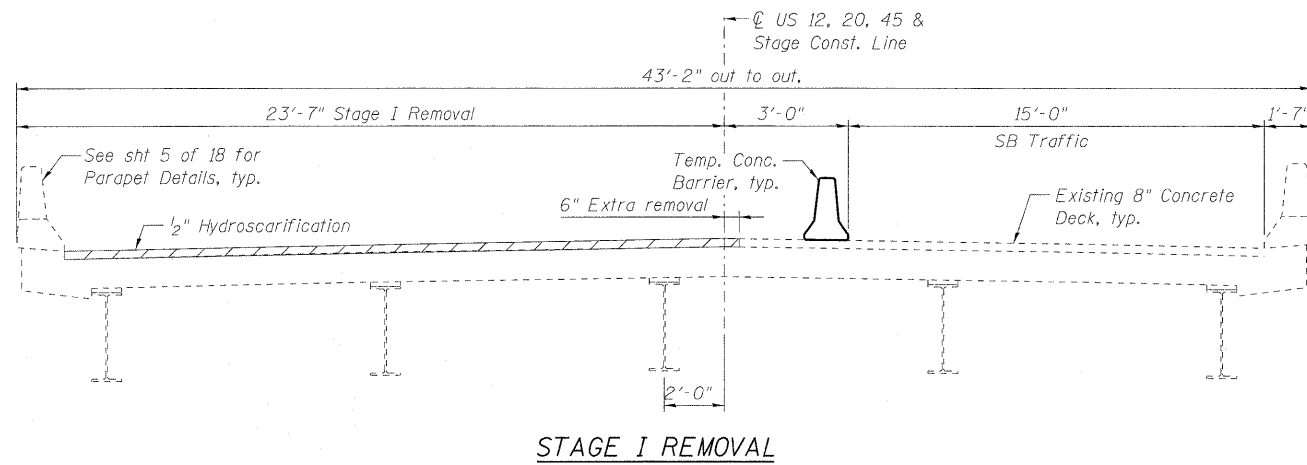


STATE OF ILLINOIS
DEPARTMENT OF TRANSPORTATION



NOTES

All Cross Sections looking North.
For quantity of Temporary Concrete Barrier see Roadway Plans.
For Temporary Concrete Barrier details see Sheet 4 of 18.

DESIGNED -	SLV
CHECKED -	DJB
DRAWN -	SLV
CHECKED -	DJB

LONCO, INC.
CONSULTING ENGINEERS
1560 WALL ST, SUITE 222
NAPERVILLE, ILLINOIS 60563 PH: (630) 577-9100

**STAGE CONSTRUCTION DETAILS
STRUCTURE NO. 016-2406**

SHEET NO. 3 OF 18 SHEETS	F.A.P. RTE.	SECTION	COUNTY	TOTAL SHEETS	SHEET NO.
	330	462 X-B-I-1	COOK	41	19
	D-91-228-10			CONTRACT NO. 60J38	
FED. ROAD DIST. NO. ILLINOIS FED. AID PROJECT					