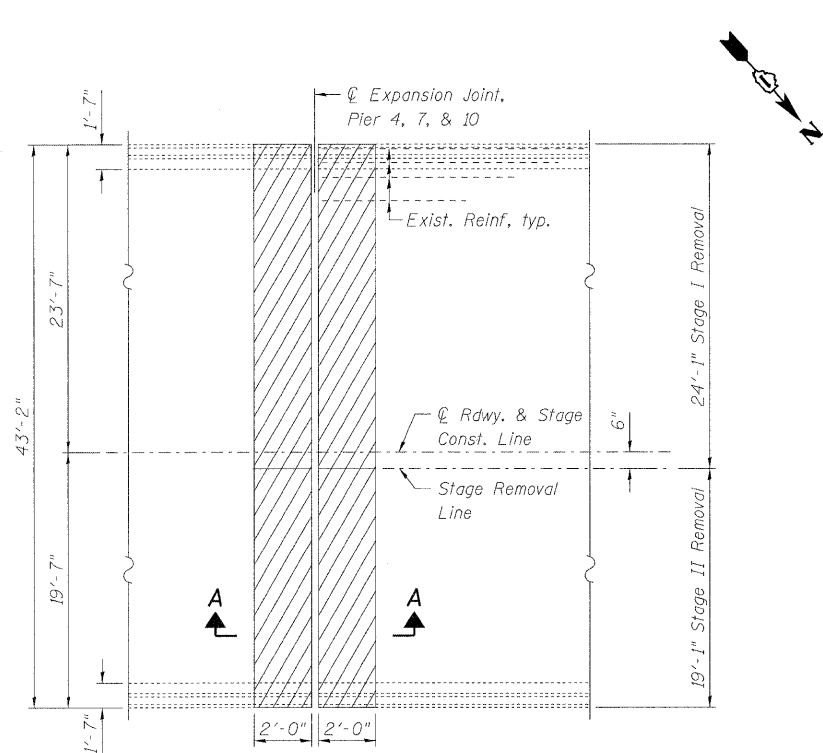
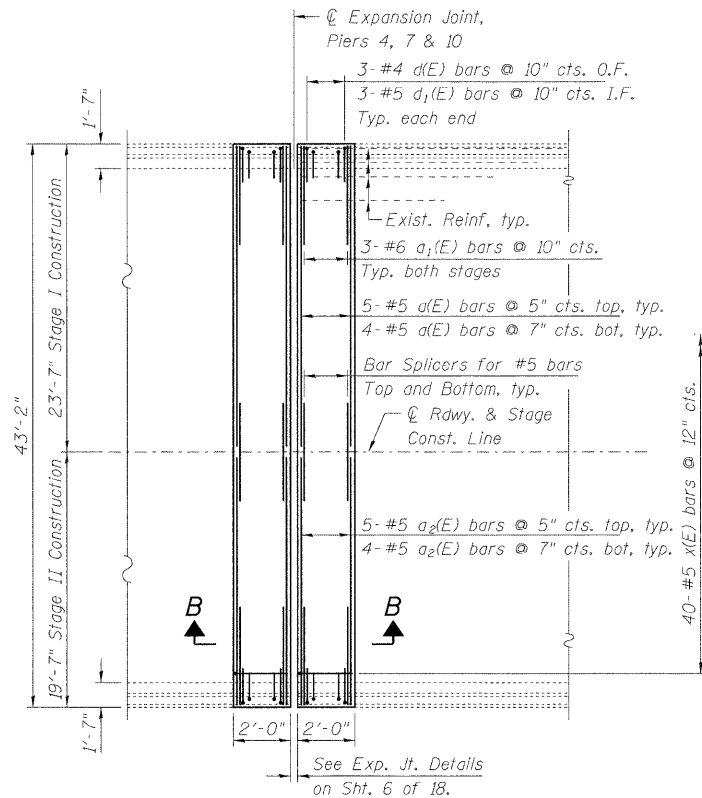


STATE OF ILLINOIS
DEPARTMENT OF TRANSPORTATION



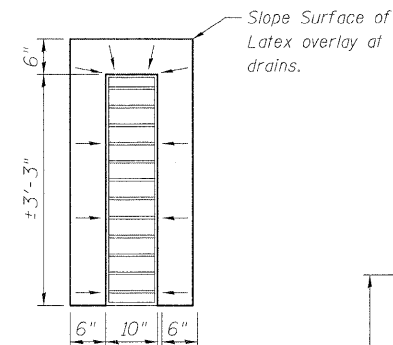
**PARTIAL PLAN SHOWING CONCRETE
REMOVAL AT PIERS 4, 7, & 10**



**PARTIAL PLAN SHOWING CONCRETE
REPLACEMENT AT PIERS 4, 7, & 10**

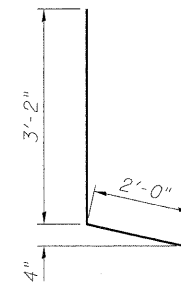
NOTES

Hatched areas indicated concrete sections to be removed and replaced. Perimeters of concrete removal areas shall be saw cut $\frac{3}{4}$ " prior to removal of the concrete. Existing reinforcement shall be cleaned, straightened (if required) and incorporated into the new construction. Cost included with Concrete Removal.

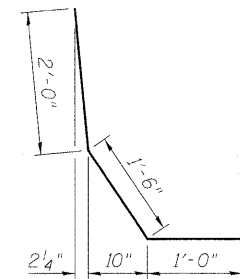


PLAN AT DRAINS

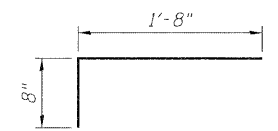
Note:
Min. thickness of overlay at drains shall be 1"



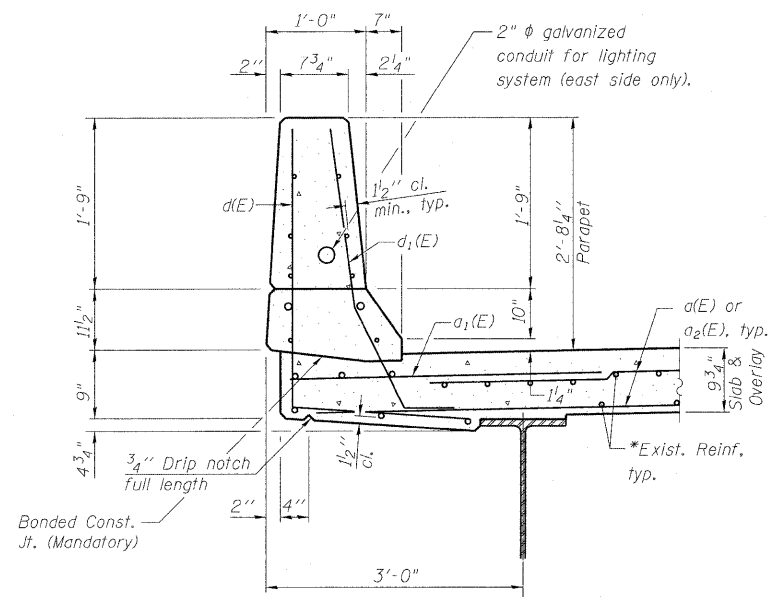
BAR d(E)



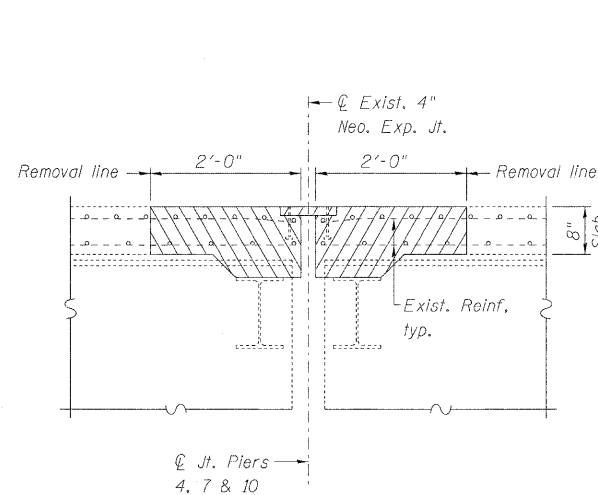
BAR d1(E)



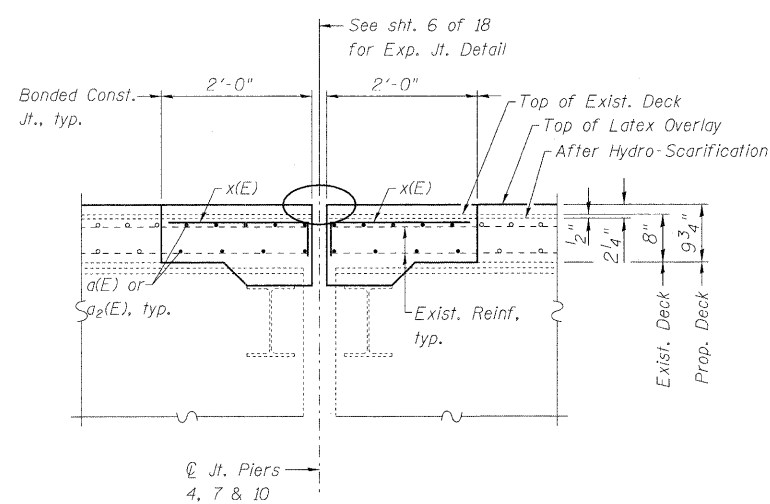
BAR x(E)



SECTION THRU PARAPET



SECTION A-A



SECTION B-B

BILL OF MATERIAL

Bar	No.	Size	Length	Shape
a(E)	54	#5	22'-1"	—
a1(E)	36	#6	6'-0"	—
a2(E)	54	#5	18'-1"	—
d(E)	36	#4	5'-2"	—
d1(E)	36	#5	4'-6"	—
x(E)	240	#5	2'-4"	—
Concrete Removal			Cu. Yd.	18.3
Concrete Superstructure			Cu. Yd.	21.4
Bar Splicers			Each	54
Reinforcement Bars, Epoxy Coated			Pound	3460

**SUPERSTRUCTURE DETAILS
STRUCTURE NO. 016-2406**

DESIGNED -	SLV
CHECKED -	DJB
DRAWN -	SLV
CHECKED -	DJB

LONCO, INC.
CONSULTING ENGINEERS
1560 WALL ST, SUITE 222
NAPERVILLE, ILLINOIS 60563 PH: (630) 577-9100

SHEET NO. 5 OF 18 SHEETS	F.A.P. RTE.	SECTION	COUNTY	TOTAL SHEETS	SHEET NO.
	330	462 X-B-I-1	COOK	41	21
D-91-228-10			CONTRACT NO. 60J38		
FED. ROAD DIST. NO. ILLINOIS FED. AID PROJECT					