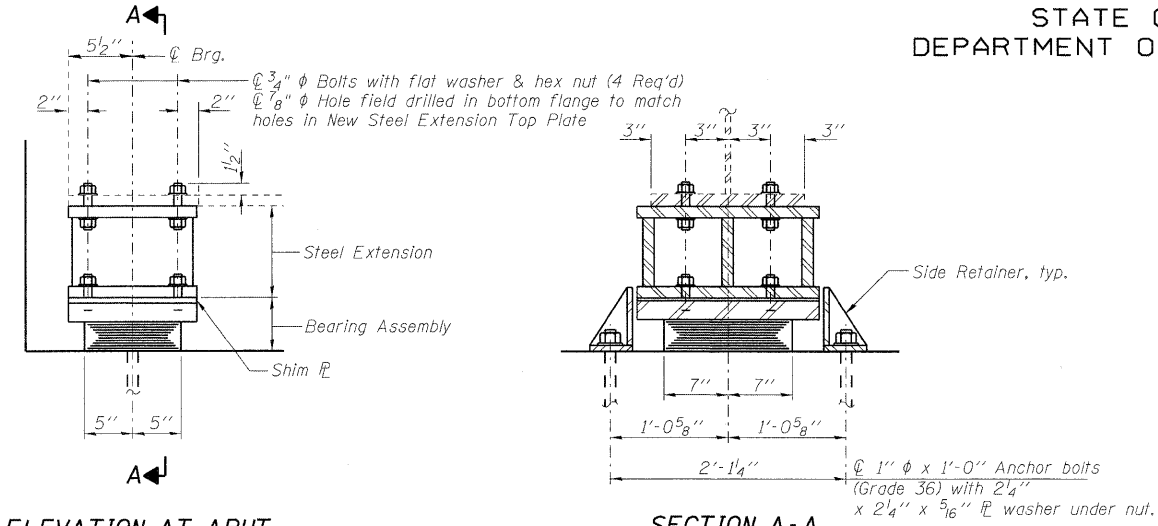
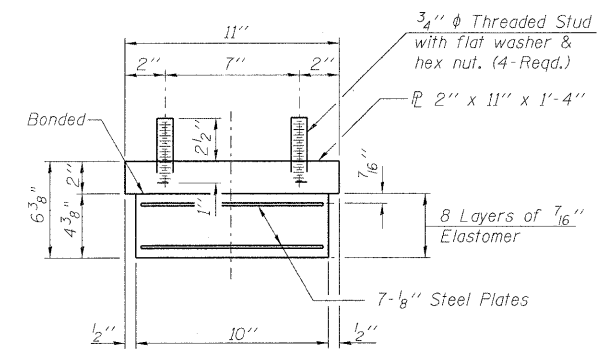


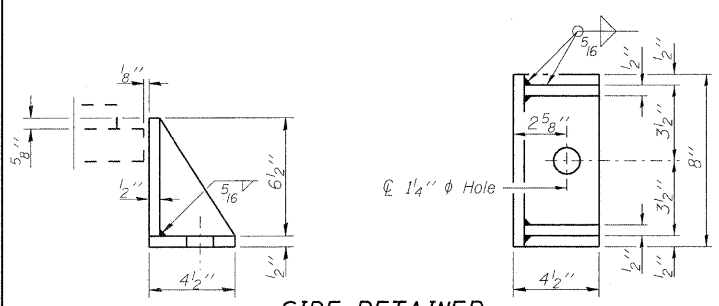
STATE OF ILLINOIS  
DEPARTMENT OF TRANSPORTATION



TYPE I ELASTOMERIC EXP. BRG.



Note:  
Shim plates shall not be placed under Bearing Assembly.



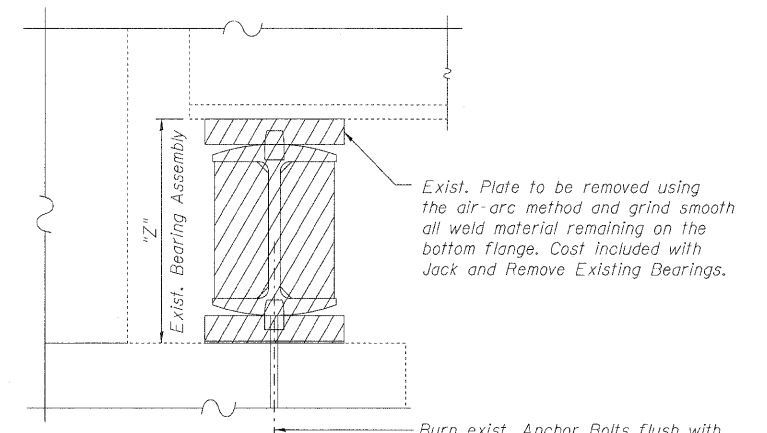
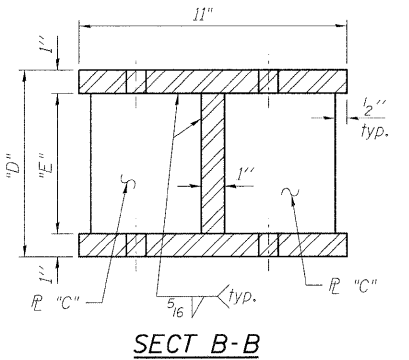
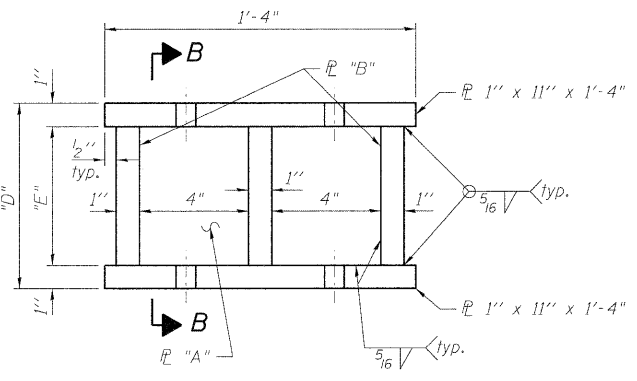
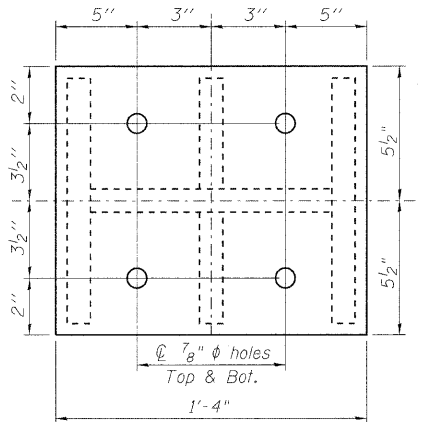
Equivalent rolled angle with stiffeners will be allowed in lieu of welded plates.

GIRDER REACTION TABLE

	Pier 7 S	Pier 7 N
Dead Load (K)	38.7	37.5
Live Load (K)	54.8	54.4
Impact (K)	14.3	14.3
Total (K)	107.8	106.2
Min. Jack Capacity (Tons)	56	56

STEEL EXTENSION DIMENSION TABLE

Location	P "A"	P "B"	P "C"	Dim "D"	Dim "E"
Pier 7 S.	1" x 6 1/2" x 1'-1"	1" x 6 1/2" x 0'-10"	1" x 6 1/2" x 0'-4 1/2"	8 1/2"	6 3/8"
Pier 7 N.	1" x 6 3/4" x 1'-1"	1" x 6 3/4" x 0'-10"	1" x 6 3/4" x 0'-4 1/2"	8 3/4"	6 3/4"



EXISTING BEARING REMOVAL DETAIL

Note:  
Prior to ordering any material, the Contractor shall verify in the field all bearing height and shim thickness dimensions.

EXISTING BEARING HEIGHTS

Location	Z
Pier 7 S.	1'-2 1/2"
Pier 7 N.	1'-3 3/8"

NOTES

Anchor bolts shall be ASTM F1554 all-thread (or an Engineer-approved alternate material) of the grade(s) and diameter(s) specified. ASTM A307 Grade C anchor bolts may be used in lieu of ASTM F1554 Grade 36 (Fy=36ksi). The corresponding specified grade of AASHTO M314 anchor bolts may be used in lieu of ASTM F1554.  
Anchor bolts at fixed bearings may be either cast in place or installed in holes drilled after the supported member is in place.  
Anchor bolts for side retainers may be cast in place or installed in holes drilled before or after members are in place.  
Drilled and set anchor bolts shall be installed according to Article 521.06 of the Standard Specifications.  
Side retainers and other steel members required for the bearing assembly shall be included in the cost of Elastomeric Bearing Assembly, Type I.  
Steel Extensions and fasteners shall be included in the cost of Furnishing and Erecting Structural Steel.  
Fasteners shall be AASHTO M164 Type 1, mechanically galvanized bolts.  
The Contractor is to verify the existing dimensions prior to fabricating the steel extensions. It is intended to keep the existing beams at their current elevation.

BILL OF MATERIAL

Item	Unit	Total
Elastomeric Bearing Assembly Type I	Each	10
Anchor Bolts, 1"	Each	20
Jack and Remove Existing Bearings	Each	10
Furnishing and Erecting Structural Steel	Pound	1765

BEARING DETAILS FOR PIER 7  
STRUCTURE NO. 016-2406

DESIGNED -	SLV
CHECKED -	DJB
DRAWN -	SLV
CHECKED -	DJB

**LOXCO, INC.**  
CONSULTING ENGINEERS  
1560 WALL ST, SUITE 222  
NAPERVILLE, ILLINOIS 60563 PH: (630) 577-9100

SHEET NO. 9 OF 18 SHEETS	F.A.P. RTE. 330	SECTION 462 X-B-I-1	COUNTY COOK	TOTAL SHEETS 41	SHEET NO. 25
	D-91-228-10		CONTRACT NO. 60J38		
FED. ROAD DIST. NO. - ILLINOIS FED. AID PROJECT					