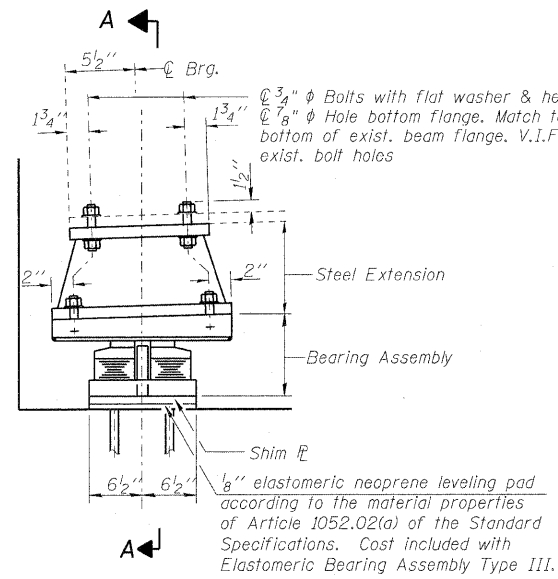
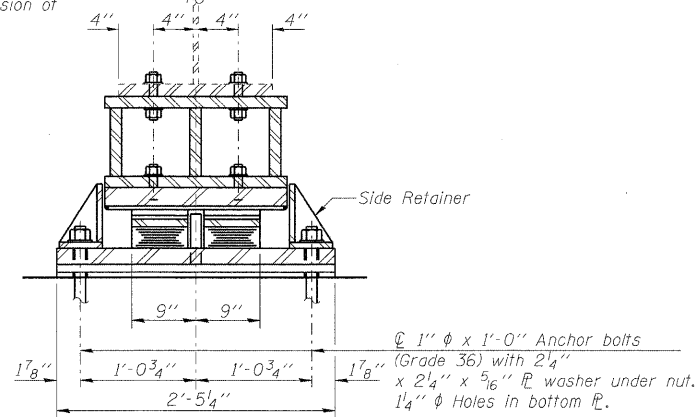


STATE OF ILLINOIS
DEPARTMENT OF TRANSPORTATION

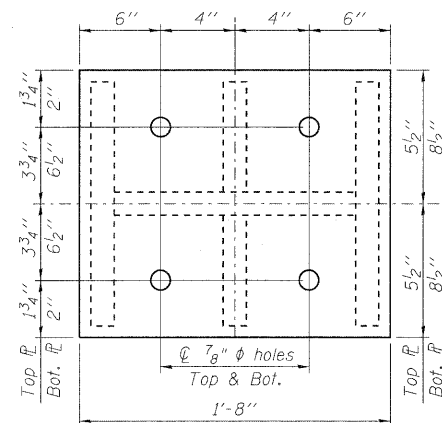


ELEVATION AT ABUT.

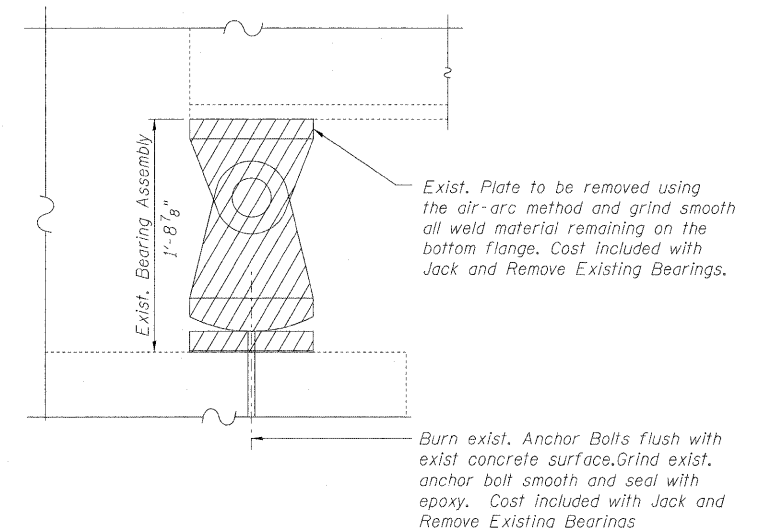
TYPE III ELASTOMERIC EXP. BRG.



SECTION A-A



PLAN STEEL EXTENSION

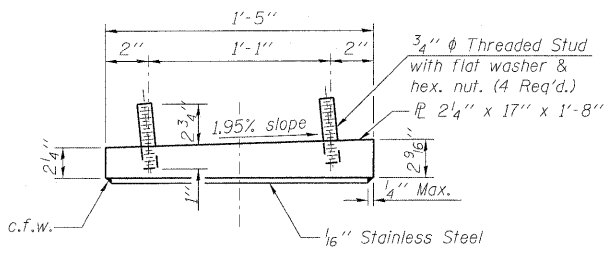


EXISTING BEARING REMOVAL DETAIL

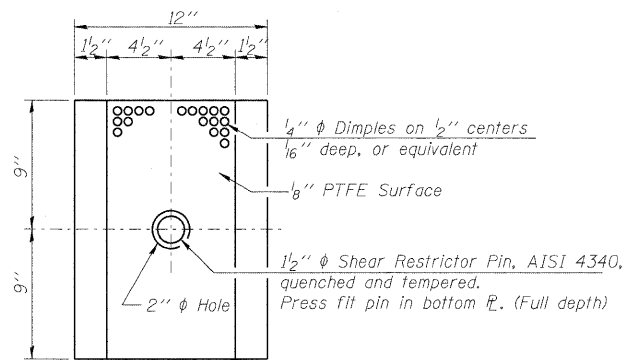
Note:
Prior to ordering any material, the Contractor shall verify in the field all bearing height and shim thickness dimensions.

NOTES

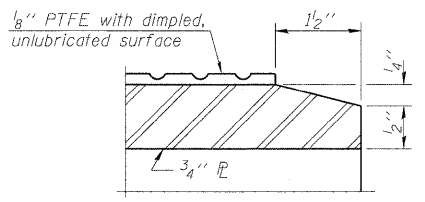
Anchor bolts shall be ASTM F1554 all-thread (or an Engineer-approved alternate material) of the grade(s) and diameter(s) specified. ASTM A307 Grade C anchor bolts may be used in lieu of ASTM F1554 Grade 36 (Fy=36ksi). The corresponding specified grade of AASHTO M314 anchor bolts may be used in lieu of ASTM F1554.
Anchor bolts for Type III bearings shall be placed in holes drilled in the concrete through holes in the bottom bearing plate after members are in place. Side retainers shall be placed after bolts are installed.
Drilled and set anchor bolts shall be installed according to Article 521.06 of the Standard Specifications.
Side retainers and other steel members required for the bearing assembly shall be included in the cost of Elastomeric Bearing Assembly, Type III.
The 1/8" PTFE sheet shall be bonded directly to the top steel plate with a two-component, medium viscosity epoxy resin, conforming to the requirements of the Federal Specification MMM-A-134, Type I. The bond agent shall be applied on the full area of the contact surfaces.
Bonding of 1/8" PTFE sheet during vulcanizing process will be permitted provided the process and method of adjusting assembly height is approved by the Engineer.



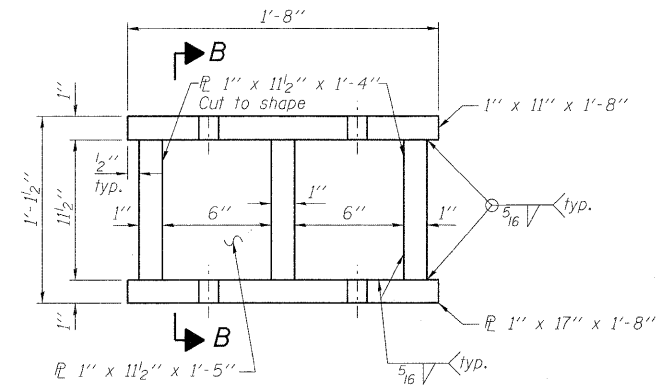
TOP BEARING ASSEMBLY



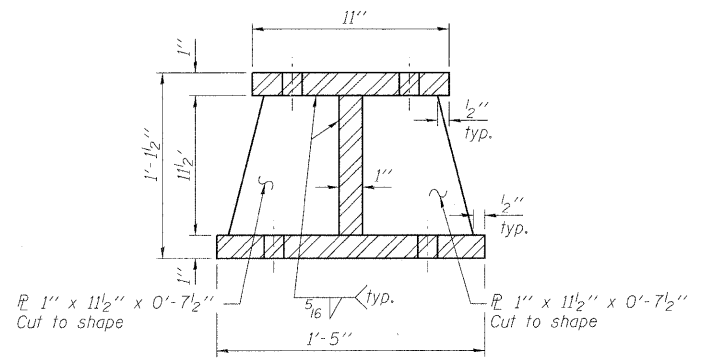
PLAN-PTFE ELASTOMERIC BRG.



SECTION THRU PTFE



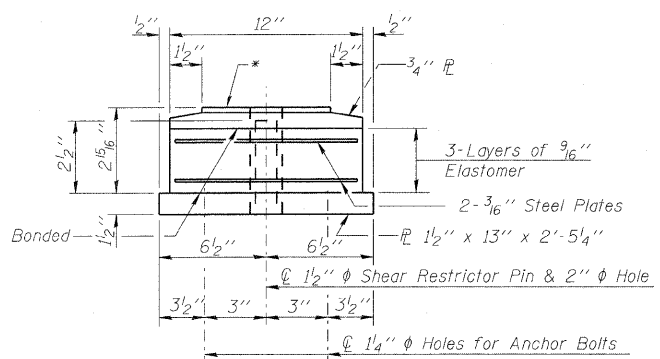
ELEVATION STEEL EXTENSION



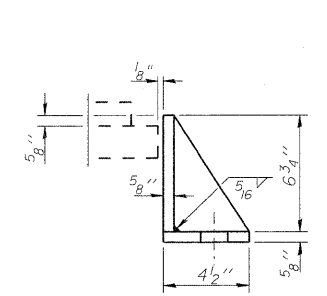
SECT B-B

BILL OF MATERIAL

Item	Unit	Total
Elastomeric Bearing Assembly Type III	Each	5
Anchor Bolts, 1"	Each	20
Jack and Remove Existing Bearings	Each	5
Furnishing and Erecting Structural Steel	Pound	1838



BOTTOM BEARING ASSEMBLY

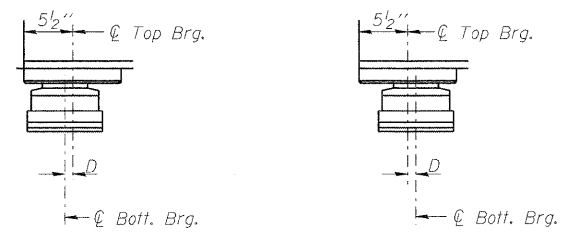


SIDE RETAINER

Equivalent rolled angle with stiffeners will be allowed in lieu of welded plates.

LONCO, INC.
CONSULTING ENGINEERS
1560 WALL ST, SUITE 222
NAPERVILLE, ILLINOIS 60563 PH: (630) 577-9100

DESIGNED	SLV
CHECKED	DJB
DRAWN	SLV
CHECKED	DJB



SETTING ANCHOR BOLTS AT EXP. BRG.

D=1/8" per each 100' of expansion for every 15° temp. change from the normal temp. of 50° F.

GIRDER REACTION TABLE

	N. Abut
Dead Load (K)	72.6
Live Load (K)	66.7
Impact (K)	11.2
Total (K)	150.5
Min. Jack Capacity (Tons)	84

BEARING DETAILS FOR
NORTH ABUTMENT
STRUCTURE NO. 016-2406

SHEET NO. 11 OF 18 SHEETS	F.A.P. RTE.	SECTION	COUNTY	TOTAL SHEETS	SHEET NO.
	330	462 X-B-I-1	COOK	41	27
D-91-228-10			CONTRACT NO. 60J38		
FED. ROAD DIST. NO. ILLINOIS FED. AID PROJECT					