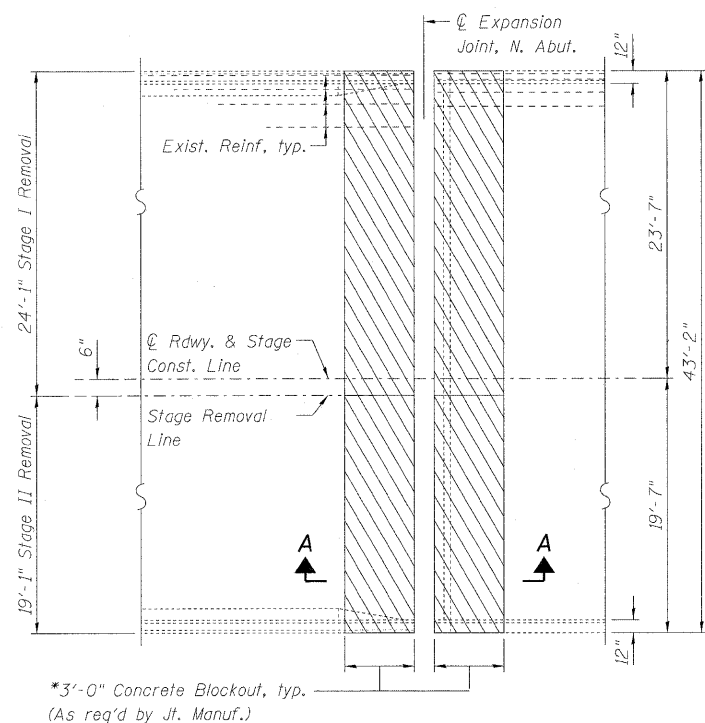


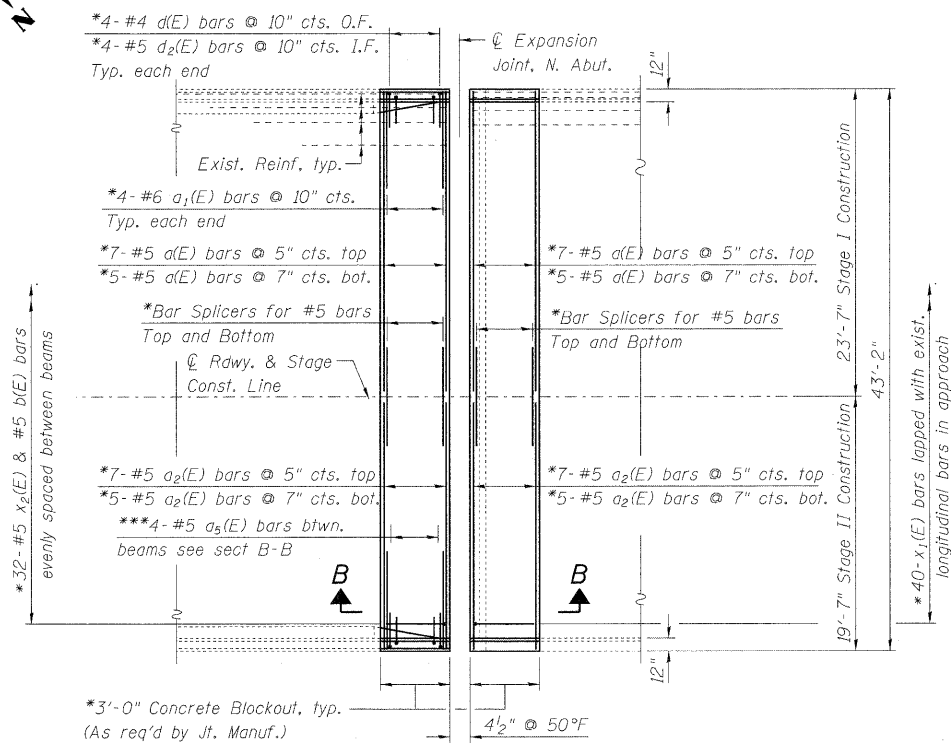
STATE OF ILLINOIS
DEPARTMENT OF TRANSPORTATION

NOTES

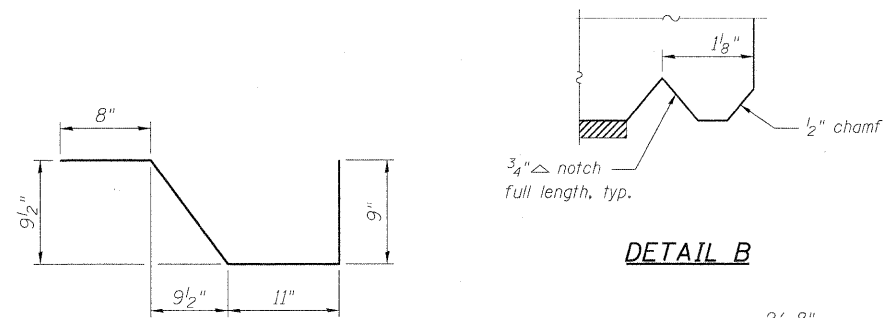
Hatched areas indicated concrete sections to be removed and replaced. Perimeters of concrete removal areas shall be saw cut $\frac{3}{4}$ " prior to removal of the concrete. Existing reinforcement shall be cleaned, straightened (if required) and incorporated into the new construction. Cost included with Concrete Removal. Drilling and epoxy grouting of reinforcement bars shall be in accordance with Article 584 of the Standard Specifications. Removal of the existing joint system is included with Concrete Removal. See Sht. 14 of 18 for Sect A-A & B-B.



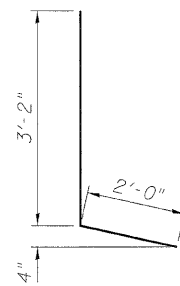
PARTIAL PLAN SHOWING CONCRETE REMOVAL AT NORTH ABUTMENT



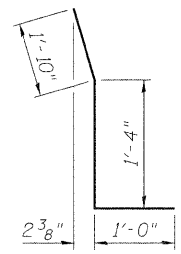
PARTIAL PLAN SHOWING CONCRETE REPLACEMENT AT NORTH ABUTMENT



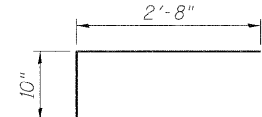
BAR b(E)



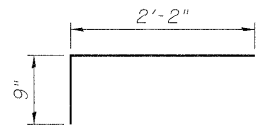
BAR d(E)



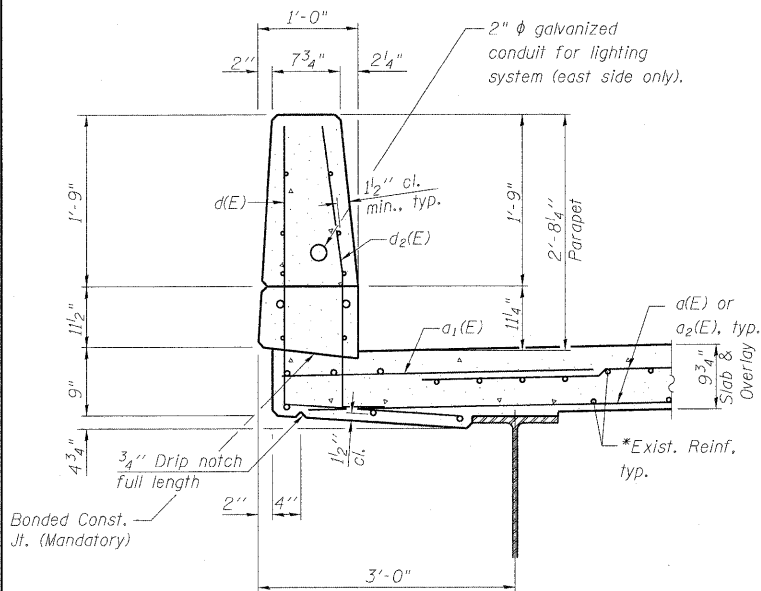
BAR d2(E)



BAR x1(E)

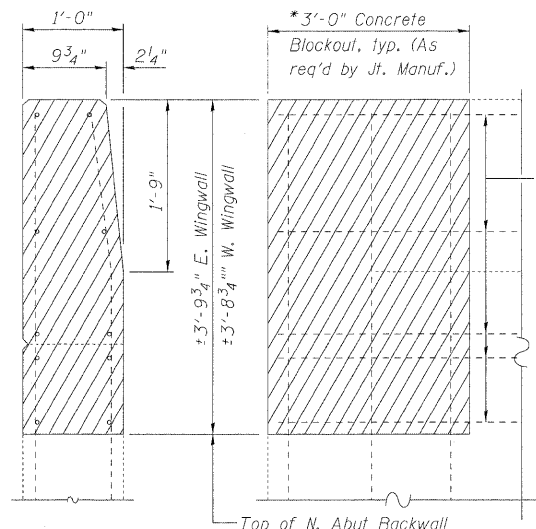


BAR x2(E)

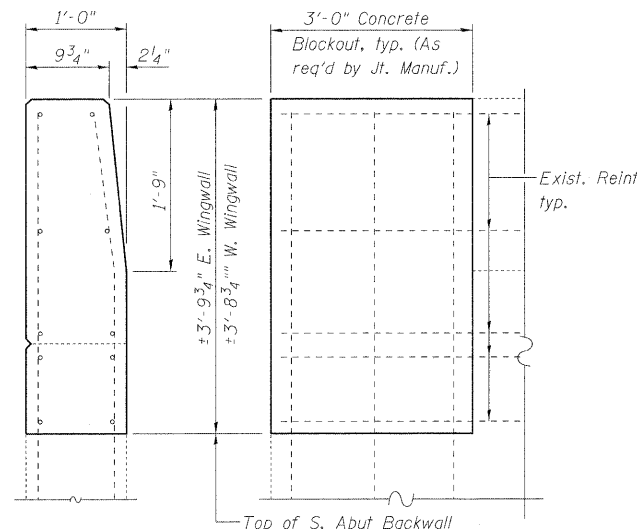


SECTION THRU PARAPET

*Length of blockout, width of joint and number of reinforcement bars needed may vary as required by Joint Manufacturer.
***Bars to be placed so as to miss joint's support boxes.



END VIEW ELEVATION
WINGWALL CONCRETE REMOVAL DETAIL



END VIEW ELEVATION
WINGWALL CONCRETE REPLACEMENT DETAIL

BILL OF MATERIAL

Bar	No.	Size	Length	Shape
a(E)	24	#5	22'-1"	—
a1(E)	8	#6	6'-0"	—
a2(E)	24	#5	18'-1"	—
a5(E)	16	#5	8'-10"	—
b(E)	32	#5	3'-5"	⌋
d(E)	8	#4	5'-2"	⌋
d2(E)	8	#5	4'-2"	⌋
x1(E)	40	#5	3'-6"	⌋
x2(E)	32	#5	2'-11"	⌋
Concrete Removal			Cu. Yd.	12.1
Concrete Superstructure			Cu. Yd.	13.6
Bar Splicers			Each	24
Modular Expansion Joint 6"			Foot	42
Reinforcement Bars, Epoxy Coated			Pound	1650

DESIGNED	SLV
CHECKED	DJB
DRAWN	SLV
CHECKED	DJB

LONGO, INC.
CONSULTING ENGINEERS
1560 WALL ST, SUITE 222
NAPERVILLE, ILLINOIS 60563 PH: (630) 577-9100

(Sheet 1 of 2)
NORTH ABUTMENT DETAILS
STRUCTURE NO. 016-2406

SHEET NO. 13 OF 18 SHEETS	F.A.P. RTE.	SECTION	COUNTY	TOTAL SHEETS	SHEET NO.
	330	462 X-B-I-1	COOK	41	29
D-91-228-10			CONTRACT NO. 60J38		
FED. ROAD DIST. NO. ILLINOIS FED. AID PROJECT					