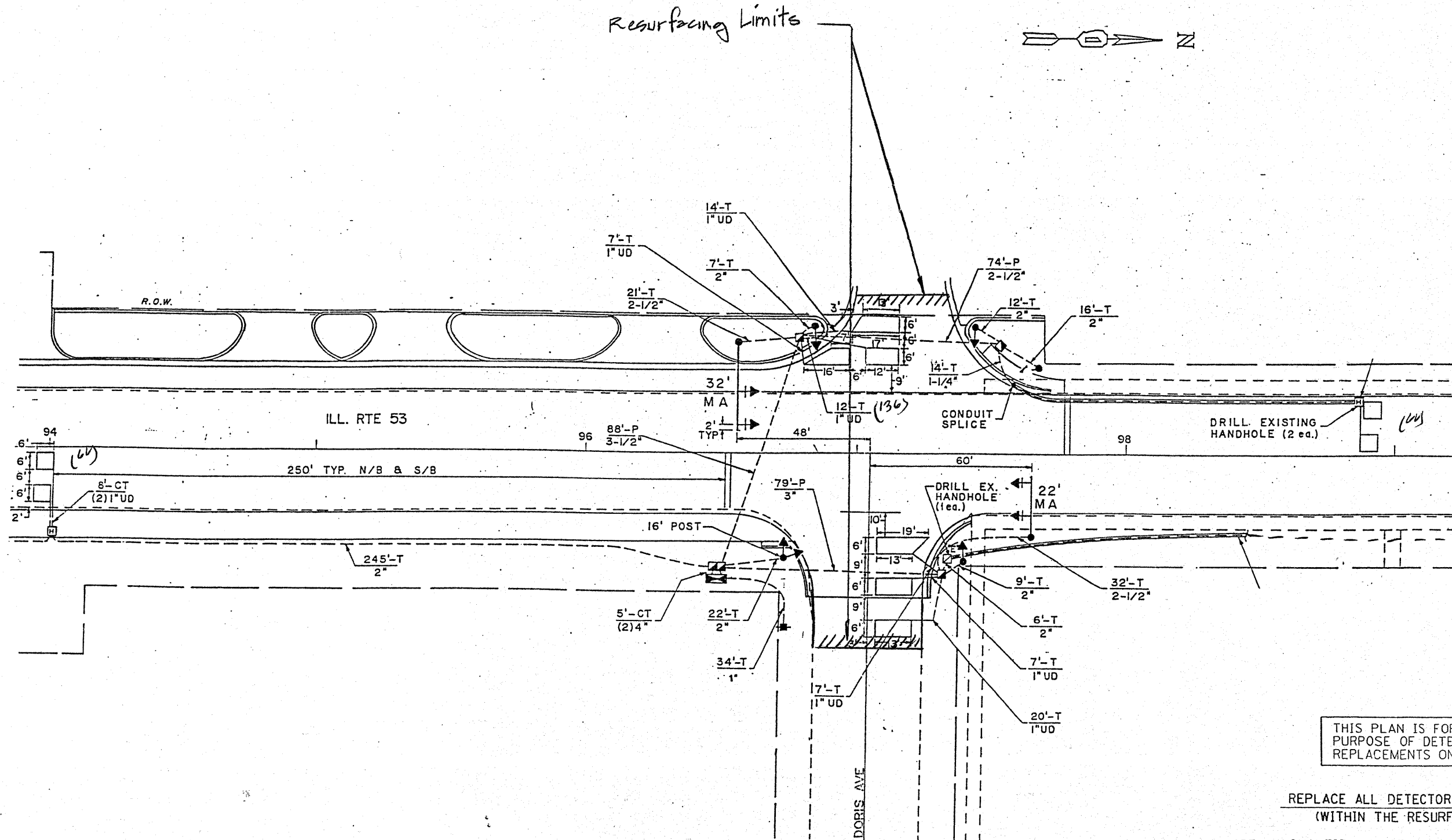


TRAFFIC SIGNAL LEGEND

	PROPOSED	EXISTING
DETECTOR LOOP		
SIGNAL HEAD		
G.S. CONDUIT IN TRENCH OR PUSHED		
SIGNAL HEAD WITH BACKPLATE		
RACEWAY FOR MAGNETIC DETECTOR, TYPE I OR II		
VEHICLE DETECTOR, NON-COMPENSATED MAGNETIC TYPE		



THIS PLAN IS FOR THE SOLE PURPOSE OF DETECTOR LOOP REPLACEMENTS ONLY

REPLACE ALL DETECTOR LOOPS AS SHOWN (WITHIN THE RESURFACING LIMITS)

CODE	QUANTITY	UNIT	ITEM
86600600	132	FOOT	DETECTOR LOOP, REPLACEMENT

FILE NAME =	USER NAME = kenthaphixaybc	DESIGNED - BCK	REVISED -
c:\pwork\VP\WIDOT\KANTHAPHIXAYBC\081126	4\tr\office\legend_v7.dgn	DRAWN - BCK	REVISED -
	PLOT SCALE = 3/8" = 1' IN.	CHECKED - DAD	REVISED -
	PLOT DATE = 4/3/2009	DATE	REVISED -

STATE OF ILLINOIS
DEPARTMENT OF TRANSPORTATION

DISTRICT ONE - DETECTOR LOOP REPLACEMENT
U.S. RTE. 52/IL. RTE. 53 @ DORIS AV.

SCALE: NONE SHEET NO. OF SHEETS STA. TO STA.

F.A. RTE. 846	SECTION 1-S-RS-2	COUNTY Will	TOTAL SHEETS 29	SHEET NO. 28
FED. ROAD DIST. NO. [ILLINOIS] FED. AID PROJECT			CONTRACT NO.	